

Manitowoc[®]

NEO[™]

Undercounter Ice Machines

Technician's Handbook



Safety Notices

Read these precautions to prevent personal injury:

- Read this manual thoroughly before operating, installing or performing maintenance on the equipment. Failure to follow instructions in this manual can cause property damage, injury or death.
- Routine adjustments and maintenance procedures outlined in this manual are not covered by the warranty.
- Proper installation, care and maintenance are essential for maximum performance and trouble-free operation of your equipment.
- Visit our website www.manitowocice.com for manual updates, translations, or contact information for service agents in your area.
- This equipment contains high voltage electricity and refrigerant charge. Installation and repairs are to be performed by properly trained technicians aware of the dangers of dealing with high voltage electricity and refrigerant under pressure. The technician must also be certified in proper refrigerant handling and servicing procedures. All lockout and tag out procedures must be followed when working on this equipment.
- This equipment is intended for indoor use only. Do not install or operate this equipment in outdoor areas.
- As you work on this equipment, be sure to pay close attention to the safety notices in this handbook. Disregarding the notices may lead to serious injury and/or damage to the equipment.

Warning

Follow these electrical requirements during installation of this equipment.

- All field wiring must conform to all applicable codes of the authority having jurisdiction. It is the responsibility of the end user to provide the disconnect means to satisfy local codes. Refer to rating plate for proper voltage.
- This appliance must be grounded.
- This equipment must be positioned so that the plug is accessible unless other means for disconnection from the power supply (e.g., circuit breaker or disconnect switch) is provided.
- Check all wiring connections, including factory terminals, before operation. Connections can become loose during shipment and installation.
- For a cord-connected appliance, the following must be included:
 - Do not unplug by pulling on cord. To unplug, grasp the plug, not the cord.
 - Unplug from outlet when not in use and before servicing or cleaning.
 - Do not operate any appliance with a damaged cord or plug, or after the appliance malfunctions or is dropped or damaged in any manner. Contact the nearest authorized service facility for examination, repair, or electrical or mechanical adjustment

Warning

Follow these precautions to prevent personal injury during installation of this equipment:

- Installation must comply with all applicable equipment fire and health codes with the authority having jurisdiction.
- To avoid instability the installation area must be capable of supporting the combined weight of the equipment and product. Additionally the equipment must be level side to side and front to back.
- Remove front panel before lifting and installing and use appropriate safety equipment during installation and servicing. Two or more people are required to lift or move this appliance to prevent tipping and/or injury.
- Do not damage the refrigeration circuit when installing, maintaining or servicing the unit.
- Connect to a potable water supply only.
- This equipment contains refrigerant charge.

Warning

Follow these precautions to prevent personal injury while operating or maintaining this equipment.

- Legs or casters must be installed and the legs/casters must be screwed in completely. When casters are installed the mass of this unit will allow it to move uncontrolled on an inclined surface. These units must be tethered/secured to comply with all applicable codes. Swivel casters must be mounted on the front and rigid casters must be mounted on the rear. Lock the front casters after installation is complete.
- Some 50 Hz models may contain up to 150 grams of R290 (propane) refrigerant. R290 (propane) is flammable in concentrations of air between approximately 2.1% and 9.5% by volume (LEL lower explosion limit and UEL upper explosion limit). An ignition source at a temperature higher than 470°C is needed for a combustion to occur.
- Refer to nameplate to identify the type of refrigerant in your equipment.
- Only trained and qualified personnel aware of the dangers are allowed to work on the equipment.
- Read this manual thoroughly before operating, installing or performing maintenance on the equipment. Failure to follow instructions in this manual can cause property damage, injury or death.
- Crush/Pinch Hazard. Keep hands clear of moving components. Components can move without warning unless power is disconnected and all potential energy is removed.
- Moisture collecting on the floor will create a slippery surface. Clean up any water on the floor immediately to prevent a slip hazard.

Warning

Follow these precautions to prevent personal injury while operating or maintaining this equipment.

- Objects placed or dropped in the bin can affect human health and safety. Locate and remove any objects immediately.
- Never use sharp objects or tools to remove ice or frost.
- Do not use mechanical devices or other means to accelerate the defrosting process.
- When using cleaning fluids or chemicals, rubber gloves and eye protection (and/or face shield) must be worn.

DANGER

Do not operate equipment that has been misused, abused, neglected, damaged, or altered/modified from that of original manufactured specifications. This appliance is not intended for use by persons (including children) with reduced physical, sensory or mental capabilities, or lack of experience and knowledge, unless they have been given supervision concerning use of the appliance by a person responsible for their safety. Do not allow children to play with, clean or maintain this appliance without proper supervision.

DANGER

Follow these precautions to prevent personal injury during use and maintenance of this equipment:

- It is the responsibility of the equipment owner to perform a Personal Protective Equipment Hazard Assessment to ensure adequate protection during maintenance procedures.
- Do Not Store Or Use Gasoline Or Other Flammable Vapors Or Liquids In The Vicinity Of This Or Any Other
- Appliance. Never use flammable oil soaked cloths or combustible cleaning solutions for cleaning.
- All covers and access panels must be in place and properly secured when operating this equipment.
- Risk of fire/shock. All minimum clearances must be maintained. Do not obstruct vents or openings.
- Failure to disconnect power at the main power supply disconnect could result in serious injury or death. The power switch DOES NOT disconnect all incoming power.
- All utility connections and fixtures must be maintained in accordance with the authority having jurisdiction.
- Turn off and lockout all utilities (gas, electric, water) according to approved practices during maintenance or servicing.
- Units with two power cords must be plugged into individual branch circuits. During movement, cleaning or repair it is necessary to unplug both power cords.

We reserve the right to make product improvements at any time. Specifications and design are subject to change without notice.

Table of Contents

General Information

Model Numbers	17
How to Read a Model Number	19
Model/Serial Number Location	19
Warranty	20

Installation

Location of Ice Machine	21
Ice Machine Clearance Requirements	22
Ice Machine Heat of Rejection	22
Leveling the Ice Machine	23
Electrical Requirements	24
Electrical Specifications	24
Water Service/Drains	26
Water Supply.....	26
Cooling Tower Applications.....	27

Maintenance

Detailed De-scaling and Sanitizing Procedure U0140, UF0140, U0190, UF0190, U0240, UF0240, U0310, UF0310	29
Remedial De-scaling.....	39
Cleaning the Condenser.....	41
Removal from Service/Winterization	42
Bin Removal.....	43
Detailed De-scaling and Sanitizing Procedure UDE0065	44
Cleaning The Condenser.....	50
Removal from Service/Winterization	51
Detailed De-scaling and Sanitizing Procedure UDE0080	52
Cleaning The Condenser.....	63
Removal from Service/Winterization	64

Operation

U0140/UF0140/U0190/UF0190/ UF0240/U0240/U0310/UF0310	65
Touch Pad Features	65
Control Board Revisions	68
Firmware Revisions	68
Ice Making Sequence of Operation	69
Control Board Timers	71
Safety Limits	72
Energized Parts Chart	74
Ice Thickness Check	76
Ice Thickness Adjustment	76
Minimum/Maximum Slab Weight	77
Water Purge Bypass	77
UDE0065	78
Ice Making Sequence of Operation	78
Energized Parts Chart	80
Ice Thickness Adjustment	81
UDE0080	82
Ice Making Sequence of Operation	82
Energized Parts Chart	84
Siphon System Check	86
Water Level	86
Water Level Check	87
Ice Thickness Check	88

Troubleshooting

U0140/UF0140/U0190/UF0190/U0240/UF0240/ U0310/UF0310	89
Problem Checklist	89
Control Board Test Mode	92
Operating Ice Machine with Bin and Touch Pad Removed	92
Troubleshooting By Symptom	96
Sympton #1	94
Sympton #2	97
Refrigeration Analysis Chart	99
Ice Machine Does Not Cycle Into Harvest when the Harvest Float is Down/Closed	103
Ice Machine Cycles Into Harvest Before the Harvest Float is Down/Closed	105
Ice Production Check	107
Installation/Visual Inspection Checklist	109
Water System Checklist	109
Ice Formation Pattern	111
Analyzing Discharge Pressure	113
Analyzing Suction Pressure	115
Harvest Valve	119
Comparing Evaporator Inlet/Outlet Temperatures	123
Discharge Line Temperature Analysis	124
Sympton #3	127
Sympton #4	129

UDE0065	131
Diagnosing an Ice Machine That Will Not Run.....	131
Refrigeration Diagnostics Overview	132
Ice Production Check.....	135
Installation/Visual Inspection Checklist... ..	137
Water System Checklist.....	138
Flooding Expansion Valve Symptoms	141
Starving Expansion Valve/Low Refrigerant Charge Symptoms:	141
Overcharged System Symptoms	141
Analyzing Ice Formation Pattern	142
Analyzing Discharge Line Temperature ...	144
Analyzing Suction Line Temperature	146
Comparing Evaporator Inlet/Outlet Temperatures	149
Discharge Line Temperature Analysis.....	150
Harvest Valve.....	152
UDE0080	156
Diagnosing an Ice Machine That Will Not Run.....	156
Safety Limit Feature	157
Diagnosing Ice Thickness Control.....	162
Ice Production Check.....	164
Installation/Visual Inspection Checklist... ..	166
Water System Checklist.....	167
Flooding Expansion Valve Symptoms	170
Starving Expansion Valve/Low Refrigerant Charge Symptoms:	170
Overcharged System Symptoms	170
Analyzing Ice Formation Pattern	171
Analyzing Discharge Line Temperature ...	173
Analyzing Suction Line Temperature	175
Comparing Evaporator Inlet/Outlet Temperatures	178
Discharge Line Temperature Analysis.....	179
Harvest Valve.....	181

Component Check Procedures

Main Fuse	185
Bin Switch	186
Touch Pad	188
Float Switch	190
Water Trough Thermistor	192
Bin Thermostat	194
Liquid Line Thermistor	195
ON/OFF/WASH Toggle Switch	197
Compressor Electrical Diagnostics	198
Fan Cycle Control	200
High Pressure Cutout (HPCO) Control	201
Filter-Driers	202

Refrigerant Recovery/Evacuation	203
Definitions	203
Refrigerant Re-use Policy	204
Recovery and Recharging Procedures U0140/UF0140/U0190/UF0190/U0240/ UF0240/U0310/UF0310.....	206
Recovery and Recharging Procedures UDE0065/UDE0080.....	209
System Contamination Cleanup	212
Determining Severity of Contamination...	212
Mild System Contamination Cleanup Procedure.....	214
Severe System Contamination Cleanup Procedure.....	215
Replacing Pressure Controls Without Removing Refrigerant Charge.....	217
Total System Refrigerant Charge	218

Charts

Cycle Times, 24 Hr. Ice Production and Refrigerant Pressure Charts	219
UDE0065 Air-cooled.....	220
UDE0080 Air-cooled.....	222
U0140/UF0140 Air-cooled	224
U0140/UF0140 Water-cooled	225
U0190/UF0190 Air-cooled	226
U0240/UF0240 Air-cooled	227
U0240/UF0240 Water-cooled	228
U0310/UF0310 Air-cooled	229
U0310/UF0310 Water-cooled	230

Diagrams

Wiring Diagrams	231
UDE0065.....	232
UDE0080.....	234
U0140/U0190/U0240 - 1Ph Air/Water	
With J4 Thermistor Terminal	236
U0140/U0190/U0240 - - 1Ph Air/Water	
Prior to Thermistor Terminal	238
U0310 Wiring Diagram - 1Ph Air/Water	
With J4 Thermistor Terminal	240
U0310 Wiring Diagram - 1Ph Air/Water	
Prior To Thermistor Terminal	242
Electronic Control Boards	244
UF Models	244
U Models with J4 Thermistor Terminal	246
U Models Prior to Thermistor Terminal	248
UDE0065.....	250
UDE0080.....	252
Tubing Schematics	254
UDE0065.....	254
UDE0080/U0140/UF0140.....	255
U0190/UF0190/U0240/UF0240/	
U0310/UF0310	255

THIS PAGE INTENTIONALLY LEFT BLANK

General Information

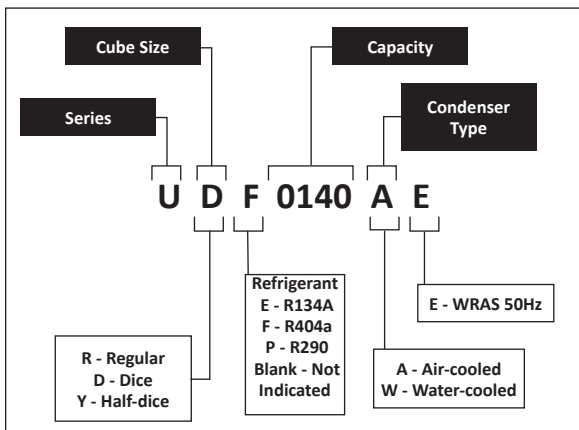
Model Numbers

This manual covers the following models:

Self-contained Air-cooled	Self-contained Water-cooled
UDE0065A	–
UDE0080A	–
UDF0140A	–
UYF0140A	–
URF0140A	–
UDF0190A	–
UYF0190A	–
UDF0240A	UDF0240W
UYF0240A	UYF0240W
UDF0310A	UDF0310W
UYF0310A	UYF0310W
URF0310A	URF0310W

Self-contained Air-cooled	Self-contained Water-cooled
UD0140A	UD0140W
UD0140AE	UD0140WE
UY0140A	UY0140W
UY0140AE	UY0140WE
UR0140A	–
UR0140AE	–
UD0190A	–
UD0190AE	–
UY0190A	–
UY0190AE	–
UR0190A	–
UR0190AE	–
UD0240A	UD0240W
UD0240AE	UD0240WE
UY0240A	UY0240W
UY0240AE	UY0240WE
UR0240A	–
UR0240AE	–
UD0310A	UD0310W
UD0310AE	UD0310WE
UY0310A	UY0310W
UY0310AE	UY0310WE
UR0310A	–
UR0310AE	–

How to Read a Model Number



⚠ Warning

An ice machine contains high voltage electricity and refrigerant charge. Repairs are to be performed by properly trained refrigeration technicians aware of the dangers of dealing with high voltage electricity and refrigerant under pressure.

Model/Serial Number Location

These numbers are required when requesting information from your local Manitowoc Distributor, Service Representative, or Manitowoc Ice.

The model/serial number data plate is located in the evaporator compartment and on the back of the ice machine.

Warranty

For warranty information visit:

www.manitowocice.com/Service/Warranty

- Warranty Coverage Information
- Warranty Registration
- Warranty Verification

Warranty coverage begins the day the ice machine is installed.

WARRANTY REGISTRATION

Completing the warranty registration process is a quick and easy way to protect your investment.

Scan the QR code with your smart device or enter the link in a web browser to complete your warranty registration.



WWW.MANITOWOCICE.COM/SERVICE/WARRANTY#WARRANTY-REGISTRATION

Registering your product insures warranty coverage and streamlines the process if any warranty work is required.

Installation

Location of Ice Machine

The location selected for the ice machine must meet the following criteria. If any of these criteria are not met, select another location.

- The location must be indoors.
- The location must be free of airborne and other contaminants.
- Air temperature: Must be at least 50°F (10°C) but must not exceed 113°F (43.4°C).
 - UDE0065 & UDE0080: Must be at least 40°F (4°C) but must not exceed 110°F (45°C)
- The location must not be near heat-generating equipment or in direct sunlight.
- The location must be capable of supporting the weight of the ice machine and a full bin of ice.
- The location must allow enough clearance for water, drain, and electrical connections in the **rear of the ice machine**.
- The location must not obstruct airflow through or around the ice machine (condenser airflow is in and out the front). Refer to the chart below for clearance requirements.
- The ice machine must be protected if it will be subjected to temperatures below 32°F (0°C). Failure caused by exposure to freezing temperatures is not covered by the warranty.

Ice Machine Clearance Requirements

	Self-contained Air-cooled	Self-contained Water-cooled
Top/Sides	5" (127 mm)*	5" (127 mm)*
Back	5" (127 mm)*	5" (127 mm)*

*The ice machine may be built into a cabinet. There is no minimum clearance requirement for the top or left and right sides of the ice machine. The listed values are recommended for efficient operation and servicing only.

Ice Machine Heat of Rejection

Series Ice Machine	Heat of Rejection*	
	Air Conditioning**	Peak
UDE0065	1600	2350
UDE0080	1750	2600
U0140/UF0140	2400	2900
U0190/UF0190	2200	2600
U0240/UF0240	2800	3300
U0310/UF0310	3800	6000

* B.T.U./Hour

** Because the heat of rejection varies during the ice making cycle, the figure shown is an average.

Ice machines, like other refrigeration equipment, reject heat through the condenser. It is helpful to know the amount of heat rejected by the ice machine when sizing air conditioning equipment where self-contained air-cooled ice machines are installed.

Leveling the Ice Machine

1. Screw the legs onto the bottom of the ice machine.
2. Screw the foot of each leg in as far as possible.

 **Caution**

The legs must be screwed in tightly to prevent them from bending.

3. Move the ice machine into its final position.
4. Level the ice machine to ensure that the drain system functions correctly. Use a level on top of the ice machine. Turn each foot as necessary to level the ice machine from front to back and side to side.

Electrical Requirements

Voltage

The maximum allowable voltage variation is $\pm 10\%$ of the rated voltage on the ice machine model/serial number plate at start-up (when the electrical load is highest).

Fuse/Circuit Breaker

A separate fuse/circuit breaker must be provided for each ice machine.

Total Circuit Ampacity

The total circuit ampacity is used to help select the wire size of the electrical supply.

The wire size (or gauge) is also dependent upon location, materials used, length of run, etc., so it must be determined by a qualified electrician.

Electrical Specifications

Air-cooled Ice Machine

Ice Machine	Voltage Phase Cycle	Max. Fuse/Circuit Breaker	Total Amps
UDE0065	115/1/60	15	5.3
	230/1/50	15	5.3
UDE0080	115/1/60	15	6.2
	230/1/50	15	6.2
U0140 UF0140	115/1/60	15	5.0
	208-230/1/60	15	2.5
	230/1/50	15	2.5
U0190/UF0190	115/1/60	15	6.0
	208-230/1/60	15	3.0
	230/1/50	15	2.5
U0240 UF0240	115/1/60	15	7.0
	208-230/1/60	15	3.5
	230/1/50	15	4.0
U0310 UF0310	115/1/60	15	10.0
	208-230/1/60	15	4.5
	230/1/50	15	4.5

NOTE: Model/serial plate information overrides all data listed in this chart.

Water-cooled Ice Machine

Ice Machine	Voltage Phase Cycle	Max. Fuse/ Circuit Breaker	Total Amps
U0240 UF0240	115/1/60	15	7.0
	208-230/1/60	15	4.0
	230/1/50	15	4.0
U0310 UF0310	115/1/60	15	10.0
	208-230/1/60	15	4.5
	230/1/50	15	4.5

NOTE: Model/serial plate information overrides all data listed in this chart.

Warning

All wiring must conform to local, state and national codes.

Warning

The ice machine must be grounded in accordance with national and local electrical code.

Water Service/Drains

WATER SUPPLY

Local water conditions may require treatment of the water to inhibit scale formation, filter sediment, and remove chlorine odor and taste.

Important

If you are installing a Manitowoc water filter system, refer to the Installation Instructions supplied with the filter system for ice making water inlet connections.

⚠ Warning

For ice making, connect to a potable water supply only.

Water Inlet Lines

Follow these guidelines to install water inlet lines:

- Do not connect the ice machine to a hot water supply. Be sure all hot water restrictors installed for other equipment are working. (Check valves on sink faucets, dishwashers, etc.)
- If water pressure exceeds the maximum recommended pressure, 80 psig (5.5 bar) obtain a water pressure regulator from your Manitowoc distributor.
- Install a water shut-off valve for ice making potable water.
- Insulate water inlet lines to prevent condensation.

Drain Connections

Follow these guidelines when installing drain lines to prevent drain water from flowing back into the ice machine and storage bin:

- Drain lines must have a 1.5-inch drop per 5 feet of run (2.5 cm per meter), and must not create traps.
- The floor drain must be large enough to accommodate drainage from all drains.
- Install a tee to vent the ice machine drain to the atmosphere.
- Insulate drain lines to prevent condensation.

COOLING TOWER APPLICATIONS

Water Cooled Models Only

A water-cooling tower installation does not require modification of the ice machine. The water regulator valve for the condenser continues to control the refrigeration discharge pressure.

It is necessary to know the amount of heat rejected, and the pressure drop through the condenser and water valves (inlet to outlet) when using a cooling tower on an ice machine.

- Water entering the condenser must not exceed 90°F (32.2°C).
- Water flow through the condenser must not exceed 5 gallons (19 liters) per minute.
- Allow for a pressure drop of 7 psig (.48 bar) between the condenser water inlet and the outlet of the ice machine.
- Water exiting the condenser must not exceed 110°F (43.3°C).

 **Caution**

Plumbing must conform to state and local codes.

Water Supply and Drain Line Sizing/Connections

Location	Water Temperature	Water Pressure	Ice Machine Fitting	Tubing Size Up to Ice Machine Fitting
Ice Making Water Inlet	40°F (4°C) min. 90°F (32°C) max.	20 psi (138 kPa) min. 80 psi (550 kPa) max.	3/8" Female Pipe Thread	3/8" (9.5 mm) min. inside diameter
UDE0065	50°F (10°C) min. 86°F (30°C) max.	35 psi (240 kPa) min. 90 psi (620 kPa) max.	3/4" Male Connection	3/8" (.95 cm) min. inside diameter
Condenser Water Inlet	40°F (4°C) min. 90°F (32°C) max.	20 psi (1.38 bar) min. 150 psi (10.3 bar) max.	3/8" Female Pipe Thread U0310 only 1/2" Female Pipe Thread	3/8" (9.5 mm) min. inside diameter U0310 only 1/2" Female Pipe Thread
Condenser Water Drain	---	---	3/8" Female Pipe Thread	1/2" (12.7 mm) min. inside diameter
Bin Drain	---	---	1/2" Female Pipe thread	1/2" (12.7 mm) min. inside diameter
UDE0065	---	---	5/8" (1.59 cm) inside diameter flexible hose	5/8" (1.59 cm) min. inside diameter

Maintenance

Interior De-scaling and Sanitizing

General

De-scale and sanitize the ice machine every six months for efficient operation. If the ice machine requires more frequent de-scaling and sanitizing, consult a qualified service company to test the water quality and recommend appropriate water treatment.

The ice machine must be taken apart for de-scaling and sanitizing.

Sanitizing for Exterior, Remedial, and Detailed procedures can be performed independently and more frequently than de-scaling when needed

Caution

Use only Manitowoc approved Ice Machine De-scaler (9405463) and Sanitizer (9405653). It is a violation of Federal law to use these solutions in a manner inconsistent with their labeling. Read and understand all labels printed on bottles before use.

Detailed De-scaling and Sanitizing Procedure U0140, UF0140, U0190, UF0190, U0240, UF0240, U0310, UF0310

Ice machine de-scaler is used to remove lime scale and mineral deposits. Ice machine sanitizer disinfects and removes algae and slime.

NOTE: U0140/UF0140/U0190/UF0190/U0240/UF0240
U0310/UF0310 start on the following page

UDE0065 starts on page 44

UDE0080 starts on page 52

Touch Pad Operation

Pressing and holding the clean button for 3 seconds starts the cycle. The Clean & On/Off lights energize indicating the cycle has started and ice making will automatically start when the cycle is complete.

- **Setting the ice machine to stop after the cycle:** Press the On/Off button. The On/Off light will de-energize indicating the ice machine will stop after the cycle.
- **Pausing the cycle:** Press the Clean button. The clean light will flash indicating the cycle has paused. Pressing the Clean button again will restart the cycle.

Step 1 Press the On/Off button after ice falls from the evaporator at the end of a Harvest cycle. Or, press the On/Off button and allow the ice to melt off the evaporator.

Caution

Never use anything to force ice from the evaporator. Damage may result.

Step 2 Remove all ice from the bin.

Warning

Wear rubber gloves and safety goggles (and/or face shield) when handling Ice Machine De-scaler or Sanitizer.

 **Caution**

Do not mix Ice Machine De-scaler and Sanitizer solutions together. It is a violation of Federal law to use these solutions in a manner inconsistent with their labeling.

Step 3 To start a de-scaling cycle, select Clean. Water will flow through the water dump valve and down the drain. Wait until the water trough refills, then add the proper amount of ice machine de-scaler to the water trough.

Model	Amount of De-scaler Part Number 9405463
U0140/UF0140	2 ounces (60 ml)
U0190/UF0190	5 ounces (150 ml)
U0240/UF0240	5 ounces (150 ml)
U0310/UF0310	5 ounces (150 ml)

Wait until the cycle is complete (approximately 22 minutes) then press the On/Off button and disconnect power and water supplies to the ice machine.

Step 4 Remove parts for de-scaling. Refer to the proper parts removal for your machine. Continue with step 5 when the parts have been removed.

Step 5 Mix a solution of de-scaler and warm water. Depending on the amount of mineral buildup, a larger quantity of solution may be required. Use the ratio in the table below to mix enough solution to thoroughly de-scale all parts.

Solution Type	Water	Mixed with
De-scaler	1 gal. (4 l)	16 oz (500 ml) De-scaler part number 9405463

 **Caution**

Do not immerse electrical connectors or motors for any components in water, de-scaler or sanitizer solutions.

Use half of the de-scaler and water solution to de-scale all components. The solution will foam when it contacts lime scale and mineral deposits; once the foaming stops use a soft bristle brush, sponge or cloth (not a wire brush) to carefully de-scale the parts. Soak the parts for 5 minutes (15 – 20 minutes for heavily scaled parts). Rinse all components with clean water.

Step 6 While components are soaking, use half of the de-scaler and water solution to de-scale all foodzone surfaces of the ice machine and bin. Use a nylon brush or cloth to thoroughly de-scale the following ice machine areas:

- Evaporator plastic parts – including top, bottom and sides
- Bin bottom, sides and top
- Rinse all areas thoroughly with clean water.

Step 7 Mix a solution of sanitizer and warm water.

Solution Type	Water	Mixed With
Sanitizer	3 gal. (12 l)	2 oz (60 ml) sanitizer part number 9405653

Use half of the sanitizer/water solution to sanitize all removed components. Use a spray bottle to liberally apply the solution to all surfaces of the removed parts or soak the removed parts in the sanitizer/water solution. Do not rinse parts after sanitizing.

Step 8 Use half of the sanitizer/water solution to sanitize all foodzone surfaces of the ice machine and bin. Use a spray bottle to liberally apply the solution. When sanitizing, pay particular attention to the following areas:

- Evaporator plastic parts - including top, bottom and sides
- Bin bottom, sides and top

Do not rinse the sanitized areas.

Step 9 Replace all removed components, wait 10 minutes, then reapply power and water to the ice machine

Step 10 Select Clean. Water will flow through the water dump valve and down the drain. Wait until the water trough refills, then add the proper amount of ice machine sanitizer to the water trough.

Model	Amount of Sanitizer Part Number 9405653
U0140/UF0140	1 ounces (30 ml)
U0190/UF0190	2 ounces (60 ml)
U0240/UF0240	2 ounces (60 ml)
U0310/UF0310	2 ounces (60 ml)

Wait until the sanitize cycle is complete (approximately 22 minutes) then press the Ice button to start ice making.

Remove Parts for De-scaling

Warning

Disconnect electric power to the ice machine at the electric switch box before proceeding.

1. Remove the Harvest Float Switch and Ice Thickness Float Switch
 - Pull forward on the bottom of the bracket until clear of the tab, then slide bracket upward to remove the bracket and float as an assembly. At this point, the float switches can easily be de-scaled. If complete removal is desired, follow the wires to the bulkhead grommet (exit point) in the back wall. Pull the wire connector through the bulkhead grommet, then disconnect the wire leads from the connector.

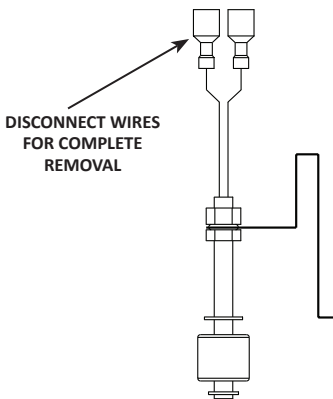
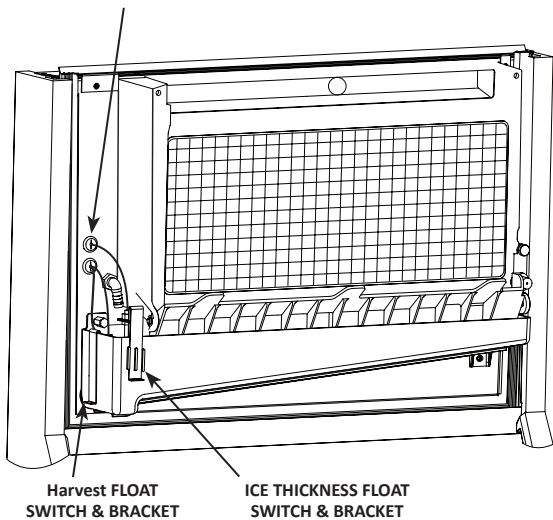
NOTE: The wire from the top grommet goes to the ice thickness float switch (front switch). The wire from the bottom grommet goes to the Harvest float switch (side switch).

Important

Reversing the mounting location of the ice thickness and the harvest floats will result in a safety limit 2 failure.

- Do not disassemble float for de-scaling - Incorrect reassembly will result in an ice machine that will not harvest.
- The ice thickness float must be mounted to the front of the water trough and the electrical connection must be in the top bulkhead grommet.
- The harvest float must be mounted to the side of the water trough and the electrical connection must be in the bottom bulkhead grommet.
- The wire connectors for each float are different and will not allow incorrect electrical bulkhead connection.

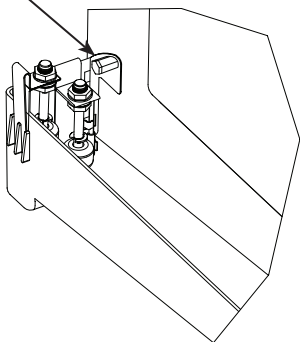
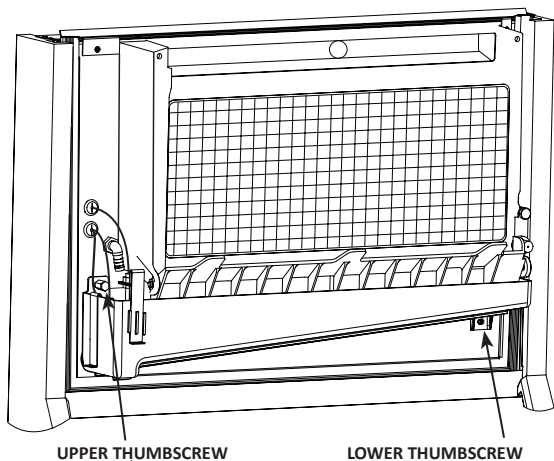
**WIRE CONNECTORS ARE LOCATED BEHIND BULKHEAD
PULL THROUGH GROMMET TO DISCONNECT**



⚠ Caution

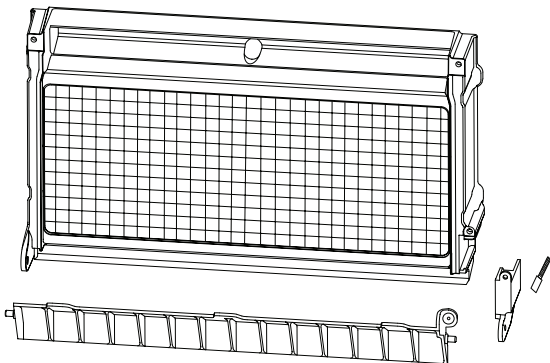
Do not disassemble float for de-scaling - Incorrect reassembly will result in an ice machine that will not harvest.

2. Remove the Water Trough Thermistor and Water Trough
- Remove the upper thumbscrew.
 - While supporting the water trough remove the thumbscrew and thermistor.
 - While supporting the water trough remove the lower thumbscrew from beneath the water trough.
 - Remove the water trough from the bin area.



3. Remove the Ice Damper

- Remove thumbscrew from bin switch cover.
- Support ice damper and then pull bin switch cover and ice damper forward to remove.



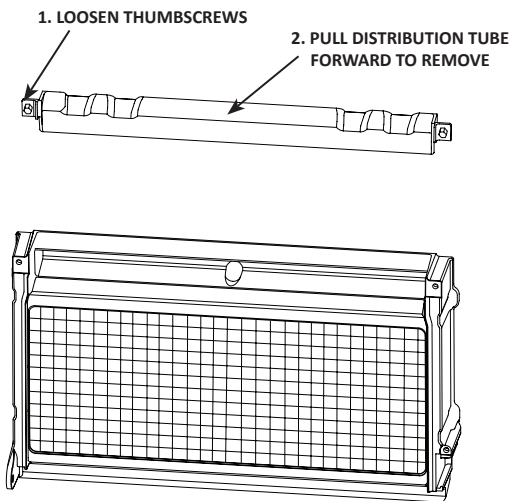
1. REMOVE THUMBSCREW

**2. SUPPORT ICE DAMPER THEN
SLIDE RIGHT SIDE FORWARD TO REMOVE**

4. Remove the Water Distribution Tube

- Distribution tube thumbscrews are retained to prevent loss. Loosen thumbscrews but do not pull thumbscrews out of distribution tube.
- Loosen the two outer screws and pull forward on the distribution tube to release.

NOTE: For ease of assembly when reinstalling the water distribution tube, install the top edge first.



REMEDIAL DE-SCALING

This procedure can be performed between the bi-annual detailed de-scaling and sanitizing cycles. This procedure does not require removing the ice from the bin.

Step 1 Press the On/Off button after ice falls from the evaporator at the end of a Harvest cycle. Or, press the On/Off button and allow the ice to melt off the evaporator.

Caution

Never use anything to force ice from the evaporator. Damage may result.

Warning

Wear rubber gloves and safety goggles (and/or face shield) when handling Ice Machine De-scaler or Sanitizer.

Step 2 To start a cycle, press the Clean button. Water will flow through the water dump valve and down the drain. Wait until the water trough refills, then add the proper amount of ice machine de-scaler to the water trough.

Model	Amount of De-scaler Part Number 9405463
U0140/UF0140	2 ounce (60 ml)
U0190/UF0190	5 ounces (150 ml)
U0240/UF0240	5 ounces (150 ml)
U0310/UF0310	5 ounces (150 ml)

Wait until the cycle is complete (approximately 22 minutes) then press the On/Off button.

Ice Machine Inspection

Check all water fittings and lines for leaks. Also, make sure the refrigeration tubing is not rubbing or vibrating against other tubing, panels, etc.

Do not put anything (boxes, etc.) in front of the ice machine. There must be adequate airflow through and around the ice machine to maximize ice production and ensure long component life.

Exterior Cleaning

Clean the area around the ice machine as often as necessary to maintain cleanliness and efficient operation.

Sponge any dust and dirt off the outside of the ice machine with mild soap and water. Wipe dry with a clean, soft cloth.

Cleanup any fallen ice or water spills as they occur.

CLEANING THE CONDENSER

General

Warning

Disconnect electric power to the ice machine head section and the remote condensing unit at the electric service switches before cleaning the condenser.

A dirty condenser restricts airflow, resulting in excessively high operating temperatures. This reduces ice production and shortens component life.

- Clean the condenser at least every six months.

Warning

The condenser fins are sharp. Use care when cleaning them.

- Shine a flashlight through the condenser to check for dirt between the fins.
- Blow compressed air or rinse with water from the inside out (opposite direction of airflow).

NOTE: Cleaning the condenser will require the removal of the bin on some models.

REMOVAL FROM SERVICE/WINTERIZATION

Self-contained Air-cooled ice machines

1. De-scale and sanitize the ice machine.
2. Press the On/Off button to turn off the ice machine.
3. Turn off the water supply, disconnect and drain the incoming ice-making water line at the rear of the ice machine and drain the water trough.
4. Energize the ice machine, wait one minute for the water inlet valve to open and blow compressed air in both the incoming water and the drain openings in the rear of the ice machine to remove all water.
5. Press the On/Off button and disconnect the electric power at the circuit breaker or the electric service switch.
6. Fill spray bottle with sanitizer and spray all interior food zone surfaces. Do not rinse and allow to air dry.
7. Replace all panels.

Water-cooled ice machines

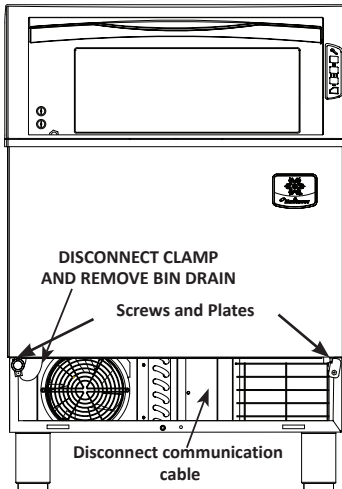
1. Perform steps 1-6 under "Self-contained Air-cooled Ice Machines".
2. Disconnect the incoming water and drain lines from the water-cooled condenser.
3. Insert a large screwdriver between the bottom spring coils of the water regulating valve. Pry upward to open the valve.
4. Hold the valve open and blow compressed air through the condenser until no water remains.

BIN REMOVAL

U0140/UF140/U0190/UF190/U0240/UF0240/U0310/
UF0310

1. Disconnect power.
2. Remove all ice from bin.
3. Remove air filter and louver from lower front of machine.
4. Loosen screws and rotate clips to release bin from base.
5. Disconnect clamp and remove bin drain.
6. Remove control box panel.
7. Remove communication cable from control board.
8. Remove rear cover.
9. Slide bin forward to remove.

NOTE: When reinstalling the bin, ensure the bin seal is in place and is not pinched/folded as it mates to the cabinet. A watertight seal is required to prevent future condensation or water leakage from entering the ice machine base.



Detailed De-scaling and Sanitizing Procedure UDE0065

Ice machine de-scaler is used to remove lime scale and mineral deposits. Ice machine sanitizer disinfects and removes algae and slime.

Step 1 Move the toggle switch to Off after ice falls from the evaporator at the end of a Harvest cycle. Or, set the toggle switch to Off and allow the ice to melt off the evaporator.

Caution

Never use anything to force ice from the evaporator. Damage may result.

Step 2 Remove all ice from the bin.

Warning

Wear rubber gloves and safety goggles (and/or face shield) when handling Ice Machine De-scaler or Sanitizer.

Caution

Do not mix Ice Machine De-scaler and Sanitizer solutions together. It is a violation of Federal law to use these solutions in a manner inconsistent with their labeling.

Step 3 To start a cycle move the toggle switch to Wash.

Step 4 Wait until water flows over the evaporator (about three minutes) then add the proper amount of Manitowoc Ice Machine De-scaler (9405463) to the water trough.

Model	Amount of De-scaler Part Number 9405463
UDE0065	1.5 ounces (45 ml)

Step 5 Wait until the cycle is complete (approximately 45 minutes) then place the toggle switch in the Off position and disconnect power and water supplies to the ice machine.

⚠ Warning

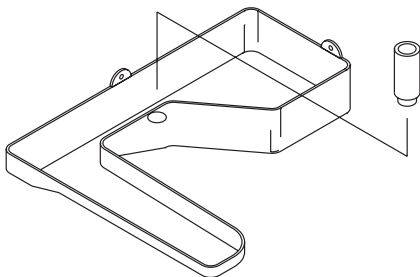
Disconnect electric power to the ice machine at the electric switch box before proceeding.

Step 6 Remove parts for de-scaling.

A. Remove the Overflow Tube

- To remove the tube, lift it up while using a slight back and forth motion to loosen it from the drain hole.

When installing the tube, be sure it is completely inserted into the drain hole to prevent water leakage during normal operation.

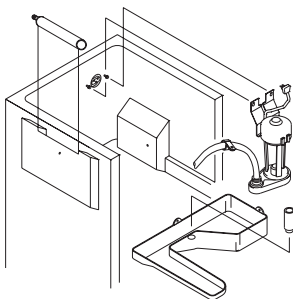


B. Remove vinyl hose.

- Disconnect the water pump discharge hose from the distribution tube and water pump.

C. Remove the Water Pump

- Remove the two thumbscrews and the water pump cover.
- Disconnect the water pump power cord.
- Loosen the screws that hold the water pump in place.
- Lift the water pump and bracket assembly up and off the screws.



D. Remove the Water Trough

- Remove the screws holding the water trough to the walls of the cabinet.

Step 7 Mix a solution of de-scaler and warm water. Depending on the amount of mineral buildup, a larger quantity of solution may be required. Use the ratio in the table below to mix enough solution to thoroughly de-scale all parts.

Solution Type	Water	Mixed with
De-scaler	1 gal. (4 l)	16 oz (500 ml) de-scaler part number 9405463

Step 8 Use $\frac{1}{2}$ of the de-scaler and water solution to de-scale all components. The solution will foam when it contacts lime scale and mineral deposits; once the foaming stops use a soft bristle brush, sponge or cloth (not a wire brush) to carefully de-scale the parts. Soak the parts for 5 minutes (15 – 20 minutes for heavily scaled parts). Rinse all components with clean water.

Step 9 While components are soaking, use ½ of the de-scaler and water solution to de-scale all foodzone surfaces of the ice machine and bin. Use a nylon brush or cloth to thoroughly de-scale the following ice machine areas:

- Evaporator plastic parts – including top, bottom and sides.
- Bin bottom, sides and top

Rinse all areas thoroughly with clean water.

Step 10 Mix a solution of sanitizer part number 9405653 and warm water.

Solution Type	Water	Mixed With
Sanitizer	6 gal. (23 l)	4 oz (120 ml) sanitizer part number 9405653

Step 11 Use 1/2 of the sanitizer/water solution to sanitize all removed components. Use a cloth or sponge to liberally apply the solution to all surfaces of the removed parts or soak the removed parts in the sanitizer/water solution. Do not rinse parts after sanitizing.

Step 12 Use 1/2 of the sanitizer/water solution to sanitize all foodzone surfaces of the ice machine and bin. Use a cloth or sponge to liberally apply the solution. When sanitizing, pay particular attention to the following areas:

- Evaporator plastic parts - including top, bottom and sides
- Bin bottom, sides and top

Do not rinse the sanitized areas.

Step 13 Replace all removed components.

Step 14 Reapply power and water to the ice machine and place the toggle switch in the WASH position.

Step 15 Add the proper amount of Manitowoc Ice Machine Sanitizer to the water trough.

Model	Amount of Sanitizer Part Number 9405653
UDE0065	1.5 ounces (45 ml)

Step 16 Wait until the sanitize cycle is complete (approximately 45 minutes) then place the toggle switch in the OFF position, disconnect power and water supplies to the ice machine.

⚠ Warning

Disconnect electric power to the ice machine at the electric switch box before proceeding.

Step 17 Repeat step 6 to remove parts for hand sanitizing.

Step 18 Mix a solution of sanitizer and warm water.

Solution Type	Water	Mixed With
Sanitizer	6 gal. (23 l)	4 oz (120 ml) sanitizer part number 9405653

Step 19 Use 1/2 of the sanitizer/water solution to sanitize all removed components. Use a cloth or sponge to liberally apply the solution to all surfaces of the removed parts or soak the removed parts in the sanitizer/water solution. Do not rinse parts after sanitizing.

Step 20 Use 1/2 of the sanitizer/water solution to sanitize all foodzone surfaces of the ice machine and bin. Use a cloth or sponge to liberally apply the solution. When sanitizing, pay particular attention to the following areas:

- Evaporator plastic parts - including top, bottom and sides.
- Bin bottom, sides and top.

Do not rinse the sanitized areas.

Step 21 Replace all removed components.

Step 22 Reapply power and water to the ice machine and place the toggle switch in the ICE position.

Exterior Cleaning

Clean the area around the ice machine as often as necessary to maintain cleanliness and efficient operation.

Sponge any dust and dirt off the outside of the ice machine with mild soap and water. Wipe dry with a clean, soft cloth.

Treat all exterior stainless steel surfaces with a commercial grade stainless steel polish.

Ice Machine Inspection

Check all water fittings and lines for leaks. Also, make sure the refrigeration tubing is not rubbing or vibrating against other tubing, panels, etc.

Do not put anything (boxes, etc.) in front of the ice machine. There must be adequate airflow through and around the ice machine to maximize ice production and ensure long component life.

CLEANING THE CONDENSER

A dirty condenser restricts airflow, resulting in excessively high operating temperatures. This reduces ice production and shortens component life. Clean the condenser at least every six months. Follow the steps below.

1. The washable aluminum filter on self-contained ice machines is designed to catch dust, dirt, lint and grease. This helps keep the condenser clean. Clean the filter with a mild soap and water solution.
2. Clean the outside of the condenser with a soft brush or a vacuum with a brush attachment. Clean from top to bottom, not side to side. Be careful not to bend the condenser fins.
3. Shine a flashlight through the condenser to check for dirt between the fins. If dirt remains: Blow compressed air through the condenser fins from the inside. Be careful not to bend the fan blades.
4. Use a commercial condenser coil cleaner. Follow the directions and cautions supplied with the cleaner.
5. Straighten any bent condenser fins with a fin comb.
6. Carefully wipe off the fan blades and motor with a soft cloth. Do not bend the fan blades. If the fan blades are excessively dirty, wash with warm, soapy water and rinse thoroughly.

REMOVAL FROM SERVICE/WINTERIZATION

Self-contained Air-cooled ice machines

Special precautions must be taken if the ice machine is to be removed from service for an extended period of time or exposed to ambient temperatures of 32°F (00C) or below.

1. Disconnect the electric power at the circuit breaker or the electric service switch.
2. Turn off the water supply.
3. Remove the water from the water trough.
4. Disconnect the drain and the incoming ice-making water line at the rear of the ice machine.
5. Make sure no water is trapped inside the ice machine incoming water lines, drain lines, distribution tubes, etc.

Detailed De-scaling and Sanitizing Procedure UDE0080

Ice machine de-scaler is used to remove lime scale and mineral deposits. Ice machine sanitizer disinfects and removes algae and slime.

Step 1 Move the toggle switch to Off after ice falls from the evaporator at the end of a Harvest cycle. Or, set the toggle switch to Off and allow the ice to melt off the evaporator.

Caution

Never use anything to force ice from the evaporator. Damage may result.

Step 2 Remove all ice from the bin.

Warning

Wear rubber gloves and safety goggles (and/or face shield) when handling Ice Machine De-scaler or Sanitizer.

Caution

Do not mix Ice Machine De-scaler (9405463) and Sanitizer (9405653) solutions together. It is a violation of Federal law to use these solutions in a manner inconsistent with their labeling.

Step 3 To start a cycle move the toggle switch to Wash.

Step 4 Wait until water flows over the evaporator (about three minutes) then add the proper amount of Manitowoc Ice Machine De-scaler to the water trough.

Model	Amount of De-scaler Part Number 9405463
UDE0080	1.5 ounces (45 ml)

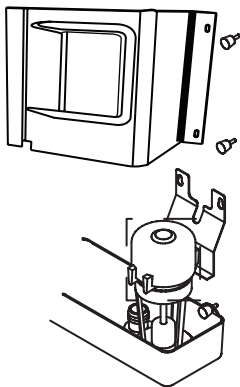
Step 5 Wait until the cycle is complete (approximately 22 minutes) then place the toggle switch in the Off position and disconnect power and water supplies to the ice machine.

⚠ Warning

Disconnect electric power to the ice machine at the electric switch box before proceeding.

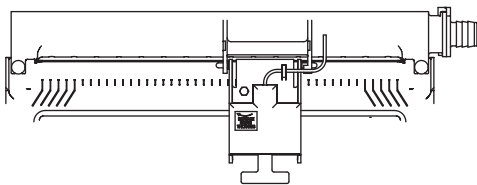
Step 6 Remove parts for de-scaling.

- A. Remove Two Thumbscrews and Water Pump Cover.
 - B. Remove the Vinyl Hose Connecting the Water Pump and Water Distribution Tube.
 - C. Remove Water Pump
- Disconnect the water pump power cord.
 - Loosen the screws securing the pump mounting bracket to the bulkhead.
 - Lift the pump and bracket assembly off the mounting screws.



D. Remove the Ice Thickness Probe

- Compress the side of the ice thickness probe near the top hinge pin and remove it from the bracket.



NOTE: At this point, the ice thickness probe can easily be de-scaled. If complete removal is desired follow the ice thickness probe wire to the bulkhead grommet (exit point) in the back wall. Pop the bulkhead grommet out of the back wall by inserting fingernails or a flat object between the back wall and the grommet and prying forward. Pull the bulkhead grommet and wire forward until the connector is accessible, then disconnect the wire lead from the connector.

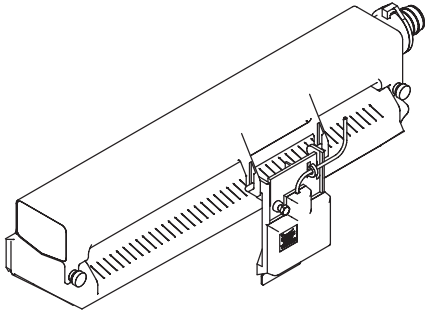
Ice Thickness Probe De-scaling

- Mix a solution of Manitowoc ice machine de-scaler and water (2 ounces of de-scaler to 16 ounces of water) in a container.
- Soak the ice thickness probe a minimum of 10 minutes.

De-scale all ice thickness probe surfaces and verify the ice thickness probe cavity is de-scaled. Rinse thoroughly with clean water, then dry completely. Incomplete rinsing and drying of the ice thickness probe can cause premature harvest.

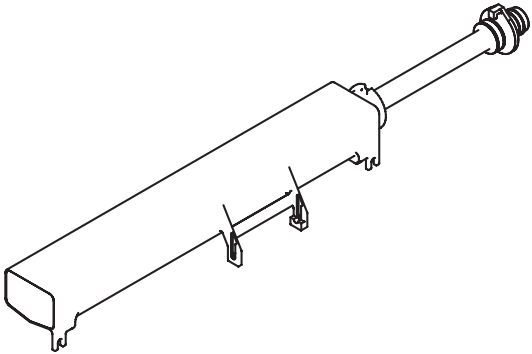
E. Remove the Water Distribution Tube

- Loosen the two thumbscrews, which secure the distribution tube.
- Lift the distribution tube up off the thumbscrews.



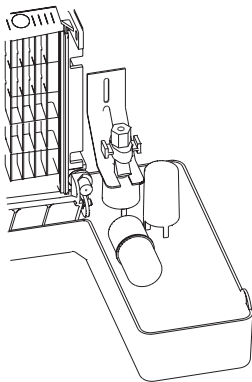
Disassembly

- Twist the barbed end until the tab lines up with the key way.
- Pull the inner tube end outward



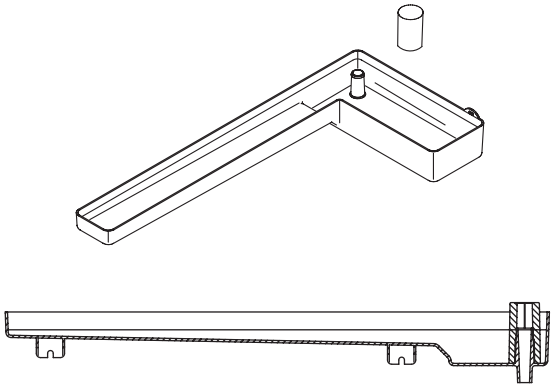
F. Remove the Float Valve

- Turn the splash shield counterclockwise one or two turns.
- Pull the float valve forward and off the mounting bracket.
- Disconnect the water inlet tube from the float valve at the compression fitting.
- Remove the cap and filter screen for de-scaling.



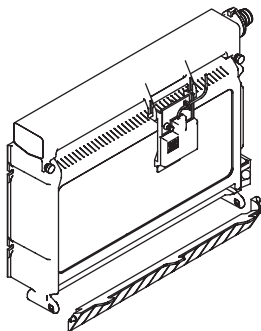
G. Remove the Water Trough

- Apply downward pressure on the siphon tube and remove from the bottom of the water trough.
- Remove the upper thumbscrew.
- While supporting the water trough remove the two thumbscrews from beneath the water trough.
- Remove the water trough from the bin area.



H. Remove the ice damper.

- Grasp left side of ice damper and apply pressure against the right-hand ice damper mounting bracket.
- Pull forward on the ice damper until the left hand mounting pin disengages.

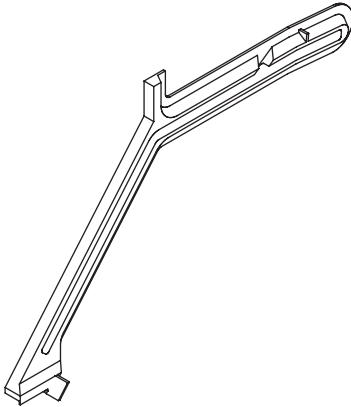


Installation

- Grasp the right side of ice damper and place left hand pin in the mounting bracket.
- While applying pressure against the left-hand mounting bracket push the damper until the right-hand mounting pin engages.

I. Remove the Bin Door

- Grasp the rear of the bin door and pull bin door forward approximately 5".
- Slide bin door to the rear while applying upward pressure (The rear door pins will ride up into the track slot and slide backward to the stop tab).
- While applying pressure against the bin door pull down on the rear of each bin door track until the door pins clear the stop tabs.
- Slide the rear door pins off the end and then below the door track. Slide bin door forward allowing the back of the door to lower into the bin. Continue forward with the bin door until the front pins bottom out in the track.
- Lift right side of door until the front pins clear the track, then remove door from bin.
- Remove rollers (4) from all door pins.



Step 7 Mix a solution of de-scaler and warm water. Depending on the amount of mineral buildup, a larger quantity of solution may be required. Use the ratio in the table below to mix enough solution to thoroughly de-scale all parts.

Solution Type	Water	Mixed with
De-scaler	1 gal. (4 l)	16 oz (500 ml) de-scaler part number 9405463

Step 8 Use ½ of the de-scaler and water solution to de-scale all components. The solution will foam when it contacts lime scale and mineral deposits; once the foaming stops use a soft bristle brush, sponge or cloth (not a wire brush) to carefully de-scale the parts. Soak the parts for 5 minutes (15 – 20 minutes for heavily scaled parts). Rinse all components with clean water.

Step 9 While components are soaking, use ½ of the de-scaler and water solution to de-scale all foodzone surfaces of the ice machine and bin. Use a nylon brush or cloth to thoroughly de-scale the following ice machine areas:

- Evaporator plastic parts – including top, bottom and sides.
- Bin bottom, sides and top.
- Rinse all areas thoroughly with clean water.

Step 10 Mix a solution of sanitizer and warm water.

Solution Type	Water	Mixed With
Sanitizer	6 gal. (23 l)	4 oz (120 ml) sanitizer part number 9405653

Step 11 Use 1/2 of the sanitizer/water solution to sanitize all removed components. Use a cloth or sponge to liberally apply the solution to all surfaces of the removed parts or soak the removed parts in the sanitizer/water solution. Do not rinse parts after sanitizing.

Step 12 Use 1/2 of the sanitizer/water solution to sanitize all foodzone surfaces of the ice machine and bin. Use a cloth or sponge to liberally apply the solution. When sanitizing, pay particular attention to the following areas:

- Evaporator plastic parts - including top, bottom and sides.
- Bin bottom, sides and top.

Do not rinse the sanitized areas.

Step 13 Replace all removed components.

Step 14 Reapply power and water to the ice machine and place the toggle switch in the WASH position.

Step 15 Add the proper amount of Manitowoc Ice Machine Sanitizer to the water trough.

Model	Amount of Sanitizer Part Number 9405653
UDE0080	1.5 ounces (45 ml)

Step 16 Wait until the sanitize cycle is complete (approximately 22 minutes) then place the toggle switch in the OFF position, disconnect power and water supplies to the ice machine.

 Warning

Disconnect electric power to the ice machine at the electric switch box before proceeding.

Step 17 Repeat step 6 to remove parts for hand sanitizing.

Step 18 Mix a solution of sanitizer and warm water.

Solution Type	Water	Mixed With
Sanitizer	6 gal. (23 l)	4 oz (120 ml) sanitizer part number 9405653

Step 19 Use 1/2 of the sanitizer/water solution to sanitize all removed components. Use a cloth or sponge to liberally apply the solution to all surfaces of the removed parts or soak the removed parts in the sanitizer/water solution. Do not rinse parts after sanitizing.

Step 20 Use 1/2 of the sanitizer/water solution to sanitize all foodzone surfaces of the ice machine and bin. Use a cloth or sponge to liberally apply the solution. When sanitizing, pay particular attention to the following areas:

- Evaporator plastic parts - including top, bottom and sides
- Bin bottom, sides and top

Do not rinse the sanitized areas.

Step 21 Replace all removed components.

Step 22 Reapply power and water to the ice machine and place the toggle switch in the ICE position.

CLEANING THE CONDENSER

A dirty condenser restricts airflow, resulting in excessively high operating temperatures. This reduces ice production and shortens component life. Clean the condenser at least every six months. Follow the steps below.

1. The washable aluminum filter on self-contained ice machines is designed to catch dust, dirt, lint and grease. This helps keep the condenser clean. Clean the filter with a mild soap and water solution.
2. Clean the outside of the condenser with a soft brush or a vacuum with a brush attachment. Clean from top to bottom, not side to side. Be careful not to bend the condenser fins.
3. Shine a flashlight through the condenser to check for dirt between the fins. If dirt remains: Blow compressed air through the condenser fins from the inside. Be careful not to bend the fan blades.
4. Use a commercial condenser coil cleaner. Follow the directions and cautions supplied with the cleaner.
5. Straighten any bent condenser fins with a fin comb.
6. Carefully wipe off the fan blades and motor with a soft cloth. Do not bend the fan blades. If the fan blades are excessively dirty, wash with warm, soapy water and rinse thoroughly.

REMOVAL FROM SERVICE/WINTERIZATION

Self-contained Air-cooled ice machines

Special precautions must be taken if the ice machine is to be removed from service for an extended period of time or exposed to ambient temperatures of 32°F (00C) or below.

1. Disconnect the electric power at the circuit breaker or the electric service switch.
2. Turn off the water supply.
3. Remove the water from the water trough.
4. Disconnect the drain and the incoming ice-making water line at the rear of the ice machine.
5. Make sure no water is trapped inside the ice machine incoming water lines, drain lines, distribution tubes, etc.

Operation

**U0140/UF0140/U0190/UF0190/
UF0240/U0240/U0310/UF0310**

TOUCH PAD FEATURES

The touch pad offers a series of pressure sensitive buttons to control ice machine operation and provide operational status.



**On/Off - Blue = Machine On
Off = Machine Is Off**

**Delay - Blue = Delay Mode On
Off = Delay Mode Is Off**

**Clean - Yellow = Clean Cycle On
Off = Cleaning is Off
Flashing = Cleaning Is Paused**

**Bin Full - Blue = Bin Is Full
Off = Bin Is Not Full**

**Service - Red = Needs Service
Off = Doesn't Need Service**

On/Off Button

The On/Off Button is used to start and stop ice making. The blue light indicates whether the ice machine is in Ice Making (light on) or Off (light off).

NOTE: Stopping and restarting a freeze cycle with ice on the evaporator will result in a thick bridge and larger than normal cubes; or result in an ice slab that will not release from the evaporator.

Delay Button

Pressing the Delay button will start a delay period. The ice machine will finish the freeze and harvest cycle and then start the delay period.

- Pressing the button once will start a 4 hour delay period.
- Pressing the button twice will start a 12 hour delay period.
- Pressing the button three times will start a 24 hour delay period.
- Pressing the button four times will cancel the delay periods.

NOTE: The delay period will be canceled if power is interrupted to the ice machine. When power is restored, the ice machine will start an ice making cycle.

Clean Button

Pressing the Clean button for 3 seconds will start a clean cycle. After the clean cycle is complete, the ice machine will automatically start an ice making cycle.

- Pressing the Clean button again within 45 seconds of the clean cycle starting will abort the clean cycle.
- Pressing the On/Off button after 45 seconds will pause the Clean cycle. The On/Off light will flash on/off to indicate pause mode. Pressing the On/Off button again will continue the Clean cycle from the point of interruption.
- Pressing the control board test button anytime during the clean cycle will cancel the clean cycle.
- Opening the damper for 30 seconds during the clean cycle will start and automatic shutdown sequence.

Bin Full Light

The Bin Full light energizes when the bin is full or is de-energized if the bin is not full.

Service Light

The Service light indicates the machine needs attention.

- Refer to safety limits if this light is energized.

CONTROL BOARD REVISIONS

1. Original control board
2. Control board with J4 terminal, which can utilize a thermistor to control when/if a water pump delay occurs in the freeze cycle.
3. Control board with the addition of J8 & J9 terminals. The J8 terminal can control an EC fan motor.

NOTE: The replacement control board is backward compatible and can be used without thermistors or EC fan motors.

FIRMWARE REVISIONS

In addition to the primary sequence of operation the following firmware changes have been added.

Control boards with water trough thermistor and firmware version before 2.70

The water trough thermistor performs the following function in the freeze cycle:

- When the temperature of the water reaches 34° F the water pump de-energizes for 25 seconds, then re energizes.
- When the water pump restarts the water inlet solenoid energizes for 7 seconds..

2.70 and Higher

- 120 second prechill cycle on initial start and 60 second prechill cycles thereafter.

ICE MAKING SEQUENCE OF OPERATION

The On/Off button must be depressed and the ice damper must be closed before the ice machine will start.

The following is the primary sequence of operation. Firmware revisions will alter some of the timing sequences and are noted in firmware revisions.

Initial Start-up From Shutoff

The dump valve energizes to purge any water in the water trough down the drain. The harvest valve energizes to equalize refrigerant pressures before the compressor starts.

Freeze Cycle

Prechill - The refrigeration system chills the evaporator before water flow over the evaporator starts. The water inlet valve energizes during the prechill and remains on until the ice thickness float switch is satisfied.

Freeze - Water flowing across the evaporator cools as the freeze cycle progresses. (Firmware version 2.58 or higher: The water pump turns off for 25 seconds and the water inlet valve energizes for 7 seconds when the pump restarts) Water flowing across the evaporator will start to freeze and build ice on the evaporator. After a sheet of ice has formed, the harvest float switch signals the control board to start a harvest cycle.

Harvest Cycle

Every third cycle the remaining water is purged down the drain. The refrigerant gas warms the evaporator and the sheet of cubes slides off the evaporator and into the storage bin. If all cubes fall clear of the ice damper the ice machine starts another freeze cycle. The maximum harvest time is a total of 7 minutes.

If the bin switch does not activate within 3.5 minutes, the harvest cycle extends another 3.5 minutes.

Full Bin Cycle

If the ice damper is held open by ice cubes the ice machine shuts off. When the ice damper closes the ice machine starts a new cycle at Initial Start-up From Shutoff. The ice machine will remain off for a 3 minute delay period.

Thaw Cycle

The maximum harvest time is a total of 7 minutes.

If the bin switch does not activate within 7 minutes a thaw cycle initiates using the following sequence:

1. The compressor de-energizes.
2. The water inlet valve energizes and fills the water trough.
3. The water pump energizes for 2 minutes and circulates water over the evaporator.

If the bin switch did not open & close.

4. The water dump valve energizes and drains water from the water trough.
 5. Step 1 through 4 repeat.
 6. If the damper does not open/close after step 5, the control board assumes no ice is on the evaporator and an initial startup cycle starts.
- If the bin switch opens & closes anytime during the thaw cycle the ice machine starts a new freeze cycle.
 - If the bin switch opens and remains open for 30 seconds at any point in the thaw cycle the ice machine will enter an automatic shutoff cycle.
 - The maximum water fill time for the thaw cycle is 105 seconds for each of the two possible thaw cycles.

CONTROL BOARD TIMERS

- The ice machine is locked into the freeze cycle for 6 minutes before a harvest cycle can be initiated.
- The freeze time lock in feature is bypassed on the initial cycle (manual start or after a full bin/safety limit condition).
- The water fill valve is de-energized 1 minute after the freeze cycle starts. The control board will energize the water inlet valve one more time 3 minutes into the freeze cycle.
- If the harvest float switch is in the down position for 10 continuous seconds during the start of a freeze cycle, a harvest sequence is initiated.
- The maximum freeze time is 35 minutes at which time the control board automatically initiates a harvest sequence.
- The maximum harvest time is a total of 7 minutes. If the bin switch does not activate within 3.5 minutes, the harvest cycle extends another 3.5 minutes. If 7 minutes is exceeded a thaw cycle starts.
- After the initial harvest cycle from either an automatic shut off or initial start the dump valve solenoid will only energize and purge the water in the water trough every third cycle.

Control boards with thermistor and firmware version before 2.70

The water trough thermistor performs the following function in the freeze cycle:

- When the temperature of the water reaches 34° F the water pump de-energizes for 25 seconds, then re energizes.
- When the water pump restarts the water inlet solenoid energizes for 7 seconds.

SAFETY LIMITS

Safety limits are stored and indicated by the control board. The number of cycles required to stop the ice machine varies for each safety limit.

Safety limits can be reset by pressing the On/Off button and starting a new ice making cycle.

A safety limit shutdown is indicated by the red Service light on the touch pad.

Safety Limit 1

If the freeze time reaches 30-60 minutes*, the control board automatically initiates a harvest cycle.

- After 3 consecutive 30-60 minute* cycles control board light SL#1 along with the touch pad Service (wrench) light will flash on/off at 1 second intervals.
- If 6 consecutive 30-60 minute* freeze cycles occur, the ice machine stops and the SL#1 light on the control board and the Service (wrench) light on the touch pad will be on continuously.

NOTE: *Verify your firmware version (label on the control board) for freeze time.

Firmware Version	Freeze Time
V1.0 to V2.53	60 minutes
V2.54 to V2.9	45 minutes
V3.0 to current	30 minutes

Safety Limit 2

- If the harvest time reaches 3.5 minutes, the control board automatically energizes the water pump and extends the harvest cycle another 3.5 minutes (7 minutes total).
- If the ice damper does not open and close within the 7 minute harvest cycle the ice machine enters a water thaw cycle for 170 seconds.
- If the damper does not open/close within the 170 second thaw cycle, a second thaw cycle starts.
- The control board automatically initiates a freeze sequence when the thaw cycle(s) is complete.
- If 3 consecutive 7 minute harvest/thaw cycles occur, the ice machine stops.

Safety Limit 3

If the freeze time reaches 4 minutes and water is not sensed (float remains down for 10 continuous seconds) the ice machine stops.

- Safety Limit 3 is bypassed on the initial cycle (manual start or after a full bin/safety limit condition). For all subsequent cycles if the freeze time reaches 4 minutes and water is not sensed, the ice machine stops and initiates a 30 minute delay period. Control board lights SL#1 and SL#2 along with the touch pad Service (wrench) light will flash on/off at 1 second intervals.
- The ice machine automatically restarts at the end of the 30 minute delay period and stops flashing the control board and Service (wrench) lights.
- If 100 consecutive failures occur the ice machine stops and the touch pad Service (wrench) light remains energized.

ENERGIZED PARTS CHART

U0140/U0140/U0190/U0190/U0240/U0240/U0310/U0310/U0310/U0310

ICE MAKING SEQUENCE OF OPERATION	Water Pump	Harvest Valve	Water Inlet Valve	Dump Valve	Compressor & Condenser Fan Motor *	Harvest Float Switch	Ice Thickness Float Switch	Length of Time
Initial Start-up	Off	On	Off	On	Off	Closed	Closed	20 seconds
1. Water purge	Off	On	Off	Off	On	Closed	Closed	5 seconds
2. Refrigeration System Start-up	Off	Off	On	Off	On	Open	Closed	60 Seconds
Freeze Sequence	Off	Off	On	Off	On	Open Then Closed	Closed Then Open	120 Seconds Initial Cycle After Automatic Shutoff
3. Prechill	On**	Off	On**	Off	On	Open Then Closed	Closed Then Open	Until Harvest Float Switch closes for 10 continual seconds
4. Freeze	On**	Off	On**	Off	On	Open Then Closed	Closed Then Open	Until Harvest Float Switch closes for 10 continual seconds

ICE MAKING SEQUENCE OF OPERATION	Water Pump	Harvest Valve	Water Inlet Valve	Dump Valve	Compressor & Condenser Fan Motor *	Harvest Float Switch	Ice Thickness Float Switch	Length of Time
Harvest Sequence	Off	On	Off	Initial cycle, then every 3rd	On	Closed	Closed	20 seconds
5. Water Purge	Off	On	Off	Initial cycle, then every 3rd	On	Closed	Closed	Water purge initial cycle, then every 3rd cycle thereafter
6. Harvest	Off***	On	Off***	Off***	On	Closed	Closed	Bin switch activation
7. Automatic Shutoff	Off	Off	Off	Off	Off	Closed	Closed	3 Minute delay and bin switch re-closure

* Condenser Fan Motor: The fan motor is wired through a fan cycle pressure control; therefore, it may cycle on and off.

** Firmware 2.58 with thermistor - When the water temperature reaches 34°F the water pump de-energizes for 25 seconds. When the pump restarts the water inlet valve energizes for 7 seconds. Firmware 2.58 without thermistor - At 3.75 minutes the water pump de-energizes for 25 seconds. When the pump restarts the water inlet valve energizes for 7 seconds.

Firmware prior to 2.58 - The water fill valve is de-energized by the control board 1 minute after the freeze cycle starts - The control board will energize the water inlet valve for 7 seconds one last time, 3 minutes into the freeze cycle, regardless of float position.

*** Will be energized during harvest when time exceeds 3.5 minutes.

**** The water pump de-energizes for 25 seconds then re-energizes

Operational Checks

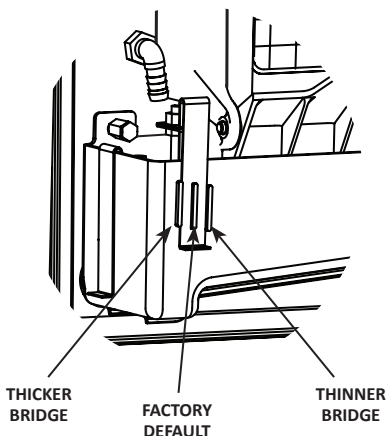
ICE THICKNESS CHECK

After a harvest cycle, inspect the ice cubes in the ice storage bin. The ice bridge connects the ice cubes and must be set to maintain an ice bridge thickness of 1/8" (3.2 mm). To adjust the thickness of the bridge refer to ice thickness adjustment.

ICE THICKNESS ADJUSTMENT

The ice thickness can be adjusted to three levels.

1. Pull forward on the bottom of the bracket until clear of the tab.
2. Slide the bracket over the desired tab and release.
 - The center position is the normal factory setting.
 - To increase bridge thickness, raise the water level.
 - To decrease bridge thickness, lower the water level.



MINIMUM/MAXIMUM SLAB WEIGHT

Model	Minimum Ice Weight Per Cycle lbs Grams	Maximum Ice Weight Per Cycle lbs Grams
U0140 UF0140	1.13 lbs 513 grams	1.36 lbs 617 grams
U0190/UF0190	2.26 lbs 1025 grams	2.93 lbs 1329 grams
U0240 UF0240	2.26 lbs 1025 grams	2.93 lbs 1329 grams
U0310 UF0310	2.26 lbs 1025 grams	2.93 lbs 1329 grams

WATER PURGE BYPASS

Every third harvest cycle the remaining water in the water trough is purged down the drain.

To bypass this feature (purge every harvest):

1. Press & hold the “CLEAN” button for at least 3 seconds while in the ice making cycle.
2. Press the “DELAY” button.
3. The red “SERVICE” light will flash 5 times to indicate bypass.
4. Repeat steps to reinstate “third harvest cycle water purge.” Now the red “SERVICE” light will flash 6 times.

NOTE: Bypassing the Water Purge will increase water usage.

UDE0065

ICE MAKING SEQUENCE OF OPERATION

Initial Startup or Startup After Automatic Shut-off

1. Water Purge

The water fill valve and the hot gas valve are energized for 2.9 minutes (175 seconds). This ensures that the ice making cycle starts with fresh water, and that the refrigerant pressures are equalized prior to refrigeration system start-up.

2. Refrigeration System Start-up

The compressor starts 2.9 minutes (175 seconds) after the water fill valve and hot gas valve are energized. (The water fill valve and hot gas valve remain energized for 5 seconds during compressor start-up, and then shut off.) The compressor remains on throughout the entire freeze and harvest cycles.

3. Freeze Cycle

The condenser fan motor and water pump are energized and remain on throughout the entire freeze cycle. An even flow of water is directed across the evaporator and into each cube cell, where it freezes. The control system automatically determines the length of the freeze cycle by monitoring the temperature of the refrigeration system liquid line.

4. Harvest Cycle

The condenser fan motor and water pump de-energize.

The water fill valve energizes to purge the water in the water trough. The hot gas valve also energizes at the beginning of the harvest cycle to divert hot refrigerant gas into the evaporator. The hot refrigerant gas warms the evaporator, causing the cubes to slide, as a sheet, off the evaporator and into the ice storage bin.

The control system automatically determines the length of the harvest cycle, based on the temperature of the refrigeration system liquid line at the end of the freeze cycle. At the end of the harvest cycle, the ice machine returns to another freeze cycle (step 3).

5. Automatic Shut-off

The level of ice in the ice storage bin controls the ice machine shut-off. When the bin is full, ice cubes contact the bin thermostat bulb holder, which cools down and opens to stop the ice machine. The ice machine remains off until enough ice has been removed from the bin. This causes the thermostat bulb holder to warm and close, restarting the ice machine.

When the ice machine restarts, it returns to the startup sequence (steps 1 – 2).

ENERGIZED PARTS CHART

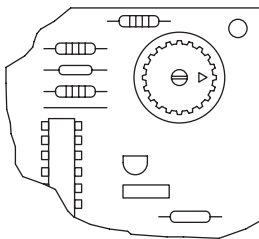
UDE0065

Ice Making Sequence Of Operation	Control Board Relays			Length of Time
	1 Compressor	2 Hot Gas Valve Water Fill Valve	3 Water Pump Fan Motor	
Initial Start-up 1. Water Purge	off	on	off	175 Seconds (2.9 minutes)
	on	on	off	
2. Refrigeration Start-up	on	off	on	Automatically Determined
3. Freeze Cycle	on	on	off	Automatically Determined
4. Harvest cycle	off	off	off	Until Bin Thermostat Closes

ICE THICKNESS ADJUSTMENT

It is normal to have a dimple in the ice cube (a concave indentation in the cube). Cube size is determined by measuring the slab weight (the combined weight of all cubes from one harvest cycle). To determine proper slab weight follow the instructions listed below.

1. Ensure the air filter, front, and back panels are installed properly and close the bin door.
2. During the third harvest cycle open the bin door and catch the entire slab of ice.
3. Weigh the ice slab. The combined weight of all cubes from one harvest should weigh between 200 - 270g (7 - 9-oz). If the slab weight is within this range, the ice machine is working properly and no further action is needed. If the slab weight is not within this range or you desire a slightly thicker or thinner cube, continue to step four.
4. Remove the air filter, the two screws holding the front panel in place and remove the front cover.
5. Locate the ice thickness control dial on the control board (see below). Turn the dial clockwise for a thicker cube or counter clockwise for a thinner cube.



6. Assure all panels and the air filter are reinstalled properly and the bin door is closed. Repeat steps one through three.

UDE0080

ICE MAKING SEQUENCE OF OPERATION

Initial start-up or start-up after automatic shut-off

1. Pressure Equalization

Before the compressor starts the hot gas valve is energized for 15 seconds to equalize pressures during the initial refrigeration system start-up.

2. Refrigeration System Start-up

The compressor starts after the 15-second pressure equalization, and remains on throughout the entire Freeze and Harvest Sequences. The hot gas valve remains on for 5 seconds during initial compressor start-up and then shuts off. At the same time the compressor starts, the condenser fan motor (air-cooled models) is supplied with power throughout the entire Freeze and Harvest Sequences. The fan motor is wired through a fan cycle pressure control, therefore it may cycle on and off. (The compressor and condenser fan motor are wired through the relay. As a result, any time the relay coil is energized, the compressor and fan motor are supplied with power.)

3. Prechill

The compressor is on for 30 seconds prior to water flow to prechill the evaporator.

4. Freeze

The water pump starts after the 30-second prechill. An even flow of water is directed across the evaporator and into each cube cell, where it freezes. When sufficient ice has formed, the water flow (not the ice) contacts the ice thickness probe. After approximately 7 seconds of continual water contact, the Harvest Sequence is initiated. The ice machine cannot initiate a Harvest Sequence until a 6-minute freeze time has been surpassed.

5. Harvest

The water pump de-energizes stopping flow over the evaporator. The rising level of water in the sump trough diverts water out of the overflow tube, purging excess minerals from the sump trough. The hot gas valve also opens to divert hot refrigerant gas into the evaporator. The refrigerant gas warms the evaporator causing the cubes to slide, as a sheet, off the evaporator and into the storage bin. The sliding sheet of cubes contacts the ice damper, opening the bin switch. The momentary opening and re-closing of the bin switch terminates the harvest cycle and returns the ice machine to freeze (steps 3 - 4).

6. Automatic Shut-off

When the storage bin is full at the end of a harvest sequence, the sheet of cubes fails to clear the ice damper and will hold it down. After the ice damper is held open for 7 seconds, the ice machine shuts off. The ice machine remains off for 3 minutes before it can automatically restart. The ice machine remains off until enough ice has been removed from the storage bin to allow the ice to fall clear of the damper. As the ice damper swings back to the operating position, the bin switch re-closes and the ice machine restarts (steps 1 - 2), provided the 3 minute delay period is complete.

ENERGIZED PARTS CHART

UDE0080

ICE MAKING SEQUENCE OF OPERATION	Control Board Relays				Relay		Length of Time
	1 Water Pump	2 Hot Gas Valve	3 Relay Coil	3A Compressor	3B Compressor Fan Motor*		
Initial Start-up 1. Water purge	off	on	off	off	off	15 seconds	
2. Refrigeration System Start-up	off	on	on	on	on	5 seconds	
Freeze Sequence 3. Prechill	off	off	on	on	on	30 seconds	
4. Freeze	on	off	on	on	on	Until 7 sec. Water contact w/ice thickness probe	

ICE MAKING SEQUENCE OF OPERATION	Control Board Relays				Length of Time
	1 Water Pump	2 Hot Gas Valve	3 Relay Coil	Relay 3A Compressor 3B Compressor Fan Motor*	
Harvest Sequence 5. Harvest	off	on	on	on	Bin switch activation
Automatic Shut-off 6. Auto Shut-off	off	off	off	off	Until bin switch re-closes

SIPHON SYSTEM CHECK

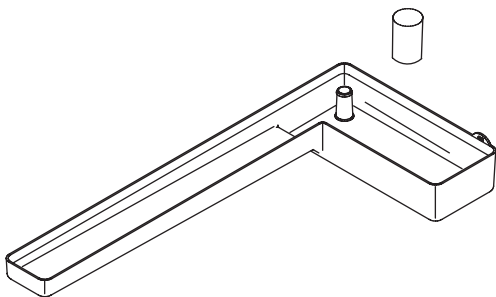
To reduce mineral build-up and cleaning frequency, the water in the sump trough must be purged during each harvest cycle.

When the water pump de-energizes the level in the water trough rises above the standpipe starting a siphon action. The siphon action stops when the water level in the sump trough drops. When the siphon action stops, the float valve refills the water trough to the correct level.

Follow steps 1 through 6 under water level check to verify the siphon system functions correctly.

WATER LEVEL

Check the water level while the ice machine is in the ice mode and the water pump is running. The correct water level is 1/4" (6.3 mm) to 3/8" (9.5 mm) below the top of the standpipe, a line in the water trough indicates the correct level.



WATER LEVEL CHECK

The float valve is factory-set for the proper water level.

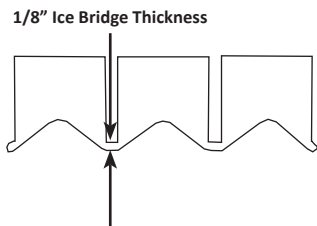
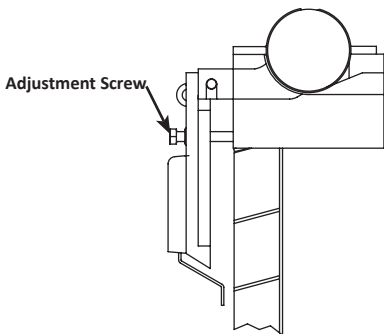
If adjustments are necessary:

1. Verify the ice machine is level.
2. Remove the siphon cap from the standpipe.
3. Place the main ON/OFF/WASH toggle switch to the ON position, and wait until the float valve stops adding water.
4. Adjust the water level to [1/4" to 3/8" (6.3 to 9.5 mm) below the standpipe] the line in the water trough:
 - A. Loosen the two screws on the float valve bracket.
 - B. Raise or lower the float valve assembly as necessary, then tighten the screws.
 - C. Move the main ON/OFF/WASH toggle switch to the OFF position. The water level in the trough will rise above the standpipe and run down the drain.
5. Replace the siphon cap on the standpipe, and verify water level and siphon action by repeating steps 3 through 5.

ICE THICKNESS CHECK

After a harvest cycle, inspect the ice cubes in the ice storage bin. The ice thickness probe is set to maintain an ice bridge of 1/8" (3.2 mm). If an adjustment is needed, follow the steps below.

1. Turn the ice thickness probe adjustment screw clockwise for a thicker ice bridge, or counterclockwise for a thinner ice bridge.
2. Make sure the ice thickness probe wire and bracket does not restrict movement of the probe.



Troubleshooting

U0140/UF0140/U0190/UF0190/U0240/ UF0240/U0310/UF0310

NOTE: Refer to “Troubleshooting UDE0065” on page 131 and “Troubleshooting UDE0080” on page 156 for -these models.

PROBLEM CHECKLIST

Problem	Possible Cause	Correction
Ice machine does not operate	No electrical power to the ice machine.	Replace the fuse/reset the breaker/turn on the main switch/plug power cord into receptacle.
	Ice machine needs to be turned on.	Press the On/Off button to start ice making.
	Damper in open position (down).	Damper must be in upright position and capable of swinging freely.
Ice machine stops, and can be restarted by turning the ice machine OFF/ ON.	Safety limit feature stopping the ice machine.	Refer to “Safety Limit Feature”
Ice sheet is thick	Water trough level is too high.	Adjust ice thickness float.
	Power button was turned off/on during freeze cycle and ice remained on evaporator.	Allow ice to thaw and release from evaporator, then restart.
	Ice damper was opened then closed in the harvest cycle before the ice released.	Allow ice to thaw and release from evaporator, then restart.
Ice machine does not release ice or is slow to harvest.	Ice machine is dirty.	Descale and sanitize the ice machine
	Ice machine is not level.	Level the ice machine.
	Low air temperature around ice machine (air-cooled models).	Air temperature must be at least 40° F (4°C).
Ice machine does not release ice or is slow to harvest.	Water regulating valve leaks in harvest mode (water-cooled models).	Replace water regulating valve.

Problem	Possible Cause	Correction
Ice machine does not cycle into harvest mode.	The six-minute freeze time lock-in has not expired yet.	Wait for freeze lock-in to expire.
	Harvest float switch is dirty.	Descale and sanitize the ice machine.
	Harvest float switch wire is disconnected.	Connect the wire.
	Harvest float switch is out of adjustment.	Adjust the harvest float switch.
	Uneven ice fill (thin at top of evaporator).	Refer to "Shallow or Incomplete Cubes."
Ice quality is poor (soft or not clear).	Poor incoming water quality.	Test the quality of the incoming water and make appropriate filter recommendations.
	Water filtration is poor.	Replace the filter.
	Ice machine is dirty.	Descale and sanitize the ice machine.
	Water softener is working improperly (if applicable).	Repair the water softener.
Ice machine produces shallow or incomplete cubes, or the ice fill pattern on the evaporator is incomplete.	Ice thickness switch is out of adjustment.	Adjust the ice thickness switch.
	Water trough level is too high or too low.	Check the water level.
	Water filtration is poor.	Replace the filter.
	Hot incoming water.	Connect the ice machine to a cold water supply.
	Incorrect incoming water pressure.	Water pressure must be 20-80 psi (137.9 -551.5 kPa).
	Ice machine is not level.	Level the ice machine.
Low ice capacity.	The condenser is dirty.	Descale the condenser.
	High air temperature around ice machine (air-cooled models).	Air temperature must not exceed 110° F (43°C).
	Inadequate clearance around the ice machine.	Provide adequate clearance.
	Objects stacked around ice machine, blocking condenser airflow.	Remove items blocking airflow.
	Hot incoming water.	Connect to cold water.
	Incorrect incoming water pressure. Water pressure is too low or water filter is restricted.	Water pressure must be 20-80 psi (137.9 -551.5 kPa). Replace water filter.

Problem	Possible Cause	Correction
Ice sheet is thick.	Water trough level is too high.	Adjust ice thickness float.
	Power button was turned off/on during the freeze cycle and ice remained on the evaporator.	Allow ice to thaw and release from the evaporator, then restart.
	Ice damper was opened and closed in the harvest cycle before the ice released	Allow ice to thaw and release from the evaporator, then restart
	Long harvest cycles with repeated safety limit indication.	Descale the ice machine & perform diagnostic procedures as required.
	Incoming water pressure is over 80 psig (5 bar, 552 kPa).	Verify incoming water pressure.

CONTROL BOARD TEST MODE

NOTE: The ice damper/bin switch can be open or closed and does not effect the operation of the test mode.

To enter the test mode press and hold the test switch on the control board for 3 seconds. Refer to “Electronic Control Board UF Models” on page 245 for test button location. The control board test mode performs the following functions for a 2 minute time period:

- Energizes all control board relays
- Energizes all control board lights
- Energizes all touch pad control lights

After the 2 minute test period the control board will complete 500 ice making cycles, then stop.

Canceling a test cycle:

To cancel a test cycle press the test button a second time.

Restarting a test cycle:

The test cycle will restart each time the test button is pressed for a 3 second time period.

OPERATING ICE MACHINE WITH BIN AND TOUCH PAD REMOVED

The ice machine is designed to allow diagnostic procedures to be performed with the bin removed or to run ice making cycles if a touch pad is defective. The touch pad is attached to the bin and is disconnected during the removal process. Use the control board test mode to operate the ice machine without connecting the touch pad. Refer to “Electronic Control Board UF Models” on page 245 for test button location

NOTE: Firmware versions before 2.70 operate for 1 cycle in test mode. Firmware versions after 2.70 operate for 500 cycles in test mode.

Troubleshooting By Symptom

The troubleshooting procedures follow diagnostic charts. There are four symptoms, the symptom that you are experiencing will determine which diagnostic chart to use. The chart asks yes and no questions to determine the problem. The diagnostic chart will direct you to a procedure to correct the problem.

SYMPTOM #1

Ice Machine Stops Running

Ice machine is in Ice Making cycle

or

Has a History of Shutting Down

- Refer to Ice Machine Stops Running diagnostic chart

SYMPTOM #2

Ice Machine has a Long Freeze Cycle

Ice Formation is Thick

or

Thin Ice Fill on Inlet or Outlet of Evaporator

or

Low Production

Service Fault (possible)

- Refer to Freeze Cycle Refrigeration System Operational Analysis Table

SYMPTOM #3

Ice Machine Will Not Harvest - Freeze Cycle is Normal and Ice Cubes are Not Melted After Harvest

Long Harvest (possible)

- Refer to Refrigeration Harvest Flow Chart

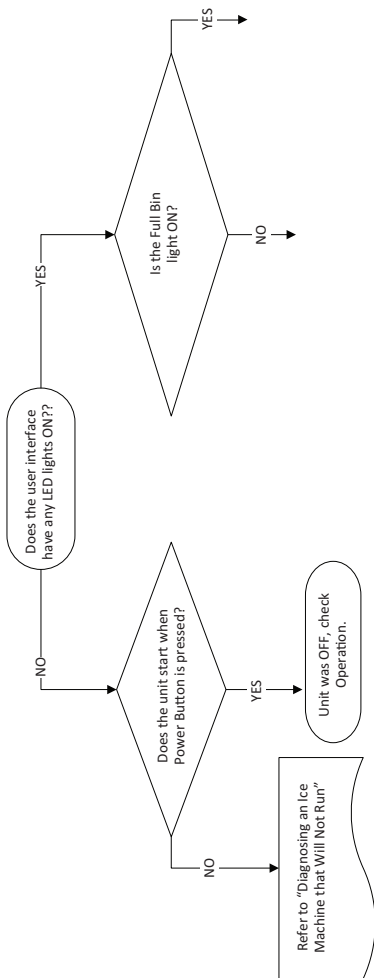
SYMPTOM #4

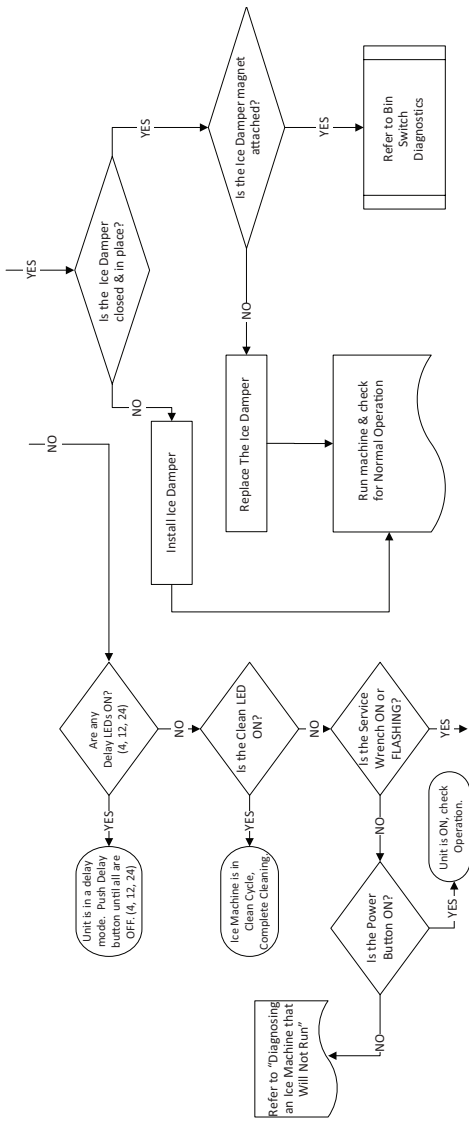
Ice Machine Will Not Harvest - Freeze Cycle is Normal and Ice Cubes are Melted After Harvest

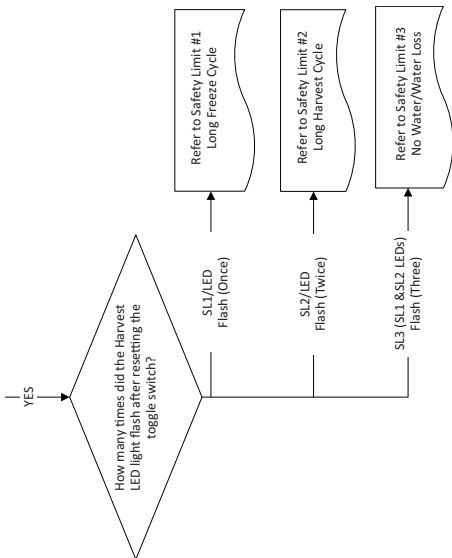
- Refer to Ice Meltout Flow Chart

SYMPTOM #1

Ice Machine stops running or has history of shutting down







#2 - LOW PRODUCTION, LONG FREEZE CYCLE

Ice Machine has a Long Freeze Cycle

Ice Formation is Thick

or

Thin on Inlet or Outlet of Evaporator

or

Low Production

How to Use the Freeze Cycle Refrigeration System Operational Analysis Table

GENERAL

These tables must be used with charts, checklists and other references to eliminate refrigeration components not listed on the tables and external items and problems which can cause good refrigeration components to appear defective.

The tables list five different defects that may affect the ice machine's operation.

NOTE: A low-on-charge ice machine and a starving expansion valve have very similar characteristics and are listed under the same column.

NOTE: Before starting, see "Before Beginning Service" for a few questions to ask when talking to the ice machine owner.

PROCEDURE

Step 1 Complete the "Operation Analysis" column.

Read down the left "Operational Analysis" column. Perform all procedures and check all information listed. Each item in this column has supporting reference material to help analyze each step.

While analyzing each item separately, you may find an "external problem" causing a good refrigerant component to appear bad. Correct problems as they are found. If the operational problem is found, it is not necessary to complete the remaining procedures.

Step 2 Enter Checkmarks (√).

Each time the actual findings of an item in the “Operational Analysis” column matches the published findings on the table, enter a Checkmark.

Example: Freeze cycle suction pressure is determined to be low. Enter a Checkmark in the “low” column.

Step 3 Add the Checkmarks listed under each of the four columns. Note the column number with the highest total and proceed to “Final Analysis.”

NOTE: If two columns have matching high numbers, a procedure was not performed properly, supporting material was not analyzed correctly or the problem component is not covered by the analysis table.

Before Beginning Service

Ice machines may experience operational problems only during certain times of the day or night. A machine may function properly while it is being serviced, but malfunctions later. Information provided by the user can help the technician start in the right direction, and may be a determining factor in the final diagnosis.

Ask these questions before beginning service:

- When does the ice machine malfunction? (night, day, all the time, only during the Freeze cycle, etc.)
- When do you notice low ice production? (one day a week, every day, on weekends, etc.)
- Can you describe exactly what the ice machine seems to be doing?
- Has anyone been working on the ice machine?
- During “store shutdown,” is the circuit breaker, water supply or air temperature altered?
- Is there any reason why incoming water pressure might rise or drop substantially?

REFRIGERATION ANALYSIS CHART

Operational Analysis	1	2	3	4
Ice Production	<p>Published 24 hour ice production _____ Calculated (actual) 24 hour ice production _____</p> <p>NOTE: The ice machine is operating properly if the ice fill pattern is normal and ice production is within 10% of charted capacity.</p>			
Installation and Water System	<p>All installation and water related problems must be corrected before proceeding with chart.</p>			
Ice Formation Pattern	<p>Ice formation is extremely thin on outlet of evaporator -or- No ice formation on entire evaporator</p>	<p>Ice formation is extremely thin on outlet of evaporator -or- No ice formation on entire evaporator</p>	<p>Ice formation is normal -or- Ice formation is extremely thin on the bottom of evaporator -or- No ice formation on evaporator</p>	<p>Ice formation is normal -or- No ice formation on entire evaporator</p>

Operational Analysis	1	2	3	4
<p>Safety Limits Refer to “Analyzing Safety Limits” to eliminate all non-refrigeration problems.</p>	<p>Stops on safety limit: 1 or 2</p>	<p>Stops on safety limit: 1</p>	<p>Stops on safety limit: 1 or 2</p>	<p>Stops on safety limit: 1</p>
<p>Ice Formation Pattern</p>	<p>Ice formation is extremely thin on outlet of evaporator -or- No ice formation on entire evaporator</p>	<p>Ice formation is extremely thin on outlet of evaporator -or- No ice formation on entire evaporator</p>	<p>Ice formation is normal -or- Ice formation is extremely thin on the bottom of evaporator -or- No ice formation on evaporator</p>	<p>Ice formation is normal -or- No ice formation on entire evaporator</p>
<p>Safety Limits Refer to “Analyzing Safety Limits” to eliminate all non-refrigeration problems.</p>	<p>Stops on safety limit: 1 or 2</p>	<p>Stops on safety limit: 1</p>	<p>Stops on safety limit: 1 or 2</p>	<p>Stops on safety limit: 1</p>

Operational Analysis	1	2	3	4
<p>Freeze Cycle Discharge Pressure</p> <p>_____</p> <p>1 minute Middle End</p>	<p>If discharge pressure is High or Low, refer to freeze cycle high or low discharge pressure problem checklist to eliminate problems and/or components not listed on this table before proceeding.</p>			
<p>Freeze Cycle Suction Pressure</p> <p>_____</p> <p>1 minute Middle End</p>	<p>If suction pressure is High or Low refer to freeze cycle high or low suction pressure problem checklist to eliminate problems and/or components not listed on this table before proceeding.</p>			
	Suction pressure is High	Suction pressure is Low	Suction pressure is High	Suction pressure is High

Operational Analysis	1	2	3	4
<p>Harvest Valve</p>	<p>The harvest valve inlet is HOT and the compressor discharge line is HOT</p>	<p>The harvest valve inlet is COOL and the compressor discharge line is HOT</p>	<p>The harvest valve inlet is COOL and the compressor discharge line is COOL</p>	<p>The harvest valve inlet is COOL and the compressor discharge line is HOT</p>
<p>Discharge Line Temp. Record freeze cycle discharge line temp at the end of freeze cycle.</p>	<p>Discharge line temp 150°F (66°C) or higher at the end of freeze cycle</p>	<p>Discharge line temp 150°F (66°C) or higher at the end of freeze cycle</p>	<p>Discharge line temp less than 150°F (66°C) at the end of freeze cycle</p>	<p>Discharge line temp 150°F (66°C) or higher at the end of freeze cycle</p>
<p>Final Analysis Enter total number of boxes checked in each column.</p>	<p>Harvest Valve Leaking</p>	<p>Low On Charge -or- TXV Starving</p>	<p>TXV Flooding</p>	<p>Compressor</p>

ICE MACHINE DOES NOT CYCLE INTO HARVEST WHEN THE HARVEST FLOAT IS DOWN/CLOSED

NOTE: The ice machine will make a thick or double slab when a new freeze cycle is started with ice already present on the evaporator.

- The ice damper/bin switch is opened/closed in the harvest cycle before the ice releases.

Remove all ice from the evaporator before starting diagnostic procedures.

Freeze Time Lock-In Feature

The ice machine control system incorporates a freeze time lock-in feature. This prevents the ice machine from short cycling in and out of harvest. The control board locks the ice machine in the freeze cycle for six minutes. After six minutes a harvest cycle can be initiated. To allow the service technician to initiate a harvest cycle without delay, this feature is not used on the first cycle after pressing the power button OFF and back to ON.

Step 1 Disconnect power to the ice machine, remove the electrical panel to allow viewing of the control board lights and pull the wire connector for the harvest float switch through the bulkhead and disconnect. Attach a jumper wire to the wire terminals connected to the control board.

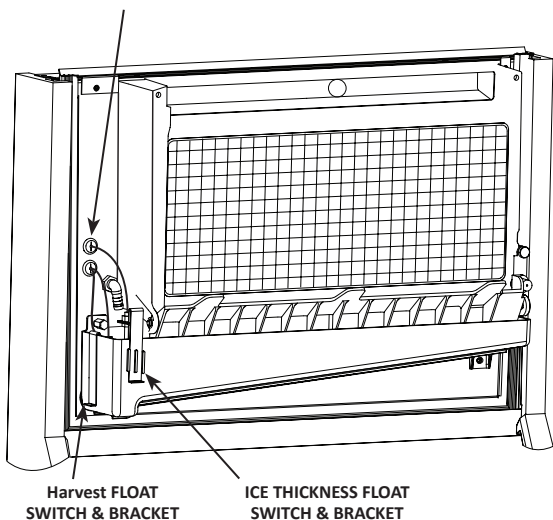
Step 2 Bypass the freeze time lock-in feature by pressing the power button to cycle the ice machine on. Wait until water flows over the evaporator, then refer to chart.

Result	Correction
10 seconds into the freeze cycle the ice machine cycles from freeze to harvest and the control board harvest light energizes.	The ice thickness float switch, connectors or wiring is causing the malfunction.
The harvest light comes on, but the ice machine remains in the freeze cycle.	The ice machine is in a 6 minute freeze lock - Cycle on/off and retest.
The harvest light stays off and the ice machine remains in freeze.	Replace the control board..

ICE MACHINE CYCLES INTO HARVEST BEFORE THE HARVEST FLOAT IS DOWN/CLOSED

Step 1 Disconnect power to the ice machine, remove the electrical panel to allow viewing of the control board lights and pull the wire connector for the harvest float switch through the bulkhead and disconnect.

WIRE CONNECTORS ARE LOCATED BEHIND BULKHEAD
PULL THROUGH GROMMET TO DISCONNECT



Caution

Do not disassemble a float for descaling/sanitizing or troubleshooting. The float magnet is not located in the center of the float and incorrect reassembly will result in an ice machine that will not harvest.

Step 2 Reapply power and press the power button to cycle the ice machine off/on and bypass the freeze time lock-in feature. Wait until water flows over the evaporator, then refer to chart.

Result	Correction
The harvest light does not come on and the ice machine stays in freeze.	The ice thickness float switch, connectors or wiring is causing the malfunction.
10 seconds into the freeze cycle the ice machine cycles from freeze to harvest and the control board harvest light energizes.	Replace the control board.

ICE PRODUCTION CHECK

The amount of ice a machine produces directly relates to the operating water and air temperatures. This means an ice machine with a 70°F (21°C) ambient temperature and 50°F (10°C) water produces more ice than the same ice machine with 90°F (32°C) ambient and 70°F (21°C) water.

1. Determine the ice machine operating conditions:
Air temp entering condenser: _____°
Air temp around ice machine: _____°
Water temp entering sump trough: _____°
2. Refer to the appropriate "Cycle Times, 24 Hr. Ice Production and Refrigerant Pressure Charts" on page 219. Use the operating conditions determined in Step 1 to find published 24-Hour Ice Production: _____
 - Times are in minutes.
Example: 1 min. 15 sec. converts to 1.25 min.
(15 seconds ÷ 60 seconds = .25 minutes)
 - Weights are in pounds.
Example: 2 lb. 6 oz. converts to 2.375 lb.
(6 oz. ÷ 16 oz. = .375 lb.)
3. Perform an ice production check using the formula below.

1.	$\frac{\text{Freeze Time}}{\text{Freeze Time}}$	+	$\frac{\text{Harvest Time}}{\text{Harvest Time}}$	=	$\frac{\text{Total Cycle Time}}{\text{Total Cycle Time}}$
2.	$\frac{1440}{\text{Minutes in 24 Hrs.}}$	÷	$\frac{\text{Total Cycle Time}}{\text{Total Cycle Time}}$	=	$\frac{\text{Cycles per Day}}{\text{Cycles per Day}}$
3.	$\frac{\text{Weight of One Harvest}}{\text{Weight of One Harvest}}$	x	$\frac{\text{Cycles per Day}}{\text{Cycles per Day}}$	=	$\frac{\text{Actual 24-Hour Production}}{\text{Actual 24-Hour Production}}$

Weighing the ice is the only 100% accurate check.

4. Compare the results of step 3 with step 2. Ice production is normal when these numbers match closely. If they match closely, determine if:
 - Another larger ice machine is required.
 - Relocating the existing equipment to lower the load conditions is required.

Contact the local Manitowoc distributor for information on available options and accessories.

INSTALLATION/VISUAL INSPECTION CHECKLIST

Ice machine is not level

- Level the ice machine

Condenser is dirty

- Clean the condenser

Water filtration is plugged (if used)

- Install a new water filter

Water drains are not run separately and/or are not vented

- Run and vent drains according to the Installation Manual

WATER SYSTEM CHECKLIST

A water-related problem often causes the same symptoms as a refrigeration system component malfunction.

Example: A water dump valve leaking during the freeze cycle, a system low on charge, and a starving TXV have similar symptoms.

Water system problems must be identified and eliminated prior to replacing refrigeration components.

Water area (evaporator) is dirty

- Descale as needed

Water inlet pressure not between 20 and 80 psig (1–5 bar, 138–552 kPa)

- Install a water regulator valve or increase the water pressure

Incoming water temperature is not between 40°F (3°C) and 90°F (32°C)

- If too hot, check the hot water line check valves in other store equipment

Water filtration is plugged (if used)

- Install a new water filter

Vent tube is not installed on water outlet drain

- See Installation Instructions

Hoses, fittings, etc., are leaking water

- Repair/replace as needed

Water valve is stuck open, closed or is leaking

- Descale/replace as needed

Water is spraying out of the sump trough area

- Stop the water spray

Uneven water flow across the evaporator

- Descale the ice machine

Water is freezing behind the evaporator

- Correct the water flow

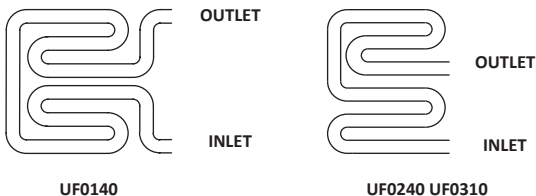
Plastic extrusions and gaskets are not secured to the evaporator

- Remount/replace as need.

ICE FORMATION PATTERN

Evaporator ice formation pattern analysis is helpful in ice machine diagnostics.

Analyzing the ice formation pattern alone cannot diagnose an ice machine malfunction. However, when this analysis is used along with Manitowoc's Refrigeration System Operational Analysis Table, it can help diagnose an ice machine malfunction.



Examples of Evaporator Tubing Routing

Normal Ice Formation

Ice forms across the entire evaporator surface.

At the beginning of the Freeze cycle, it may appear that more ice is forming on the inlet of the evaporator than at the outlet. At the end of the Freeze cycle, ice formation at the outlet will be close to, or just a bit thinner than, ice formation at the inlet. The dimples in the cubes at the outlet of the evaporator may be more pronounced than those at the inlet. This is normal.

If ice forms uniformly across the evaporator surface, but does not do so in the proper amount of time, this is still considered a normal ice fill pattern.

Extremely Thin at Evaporator Outlet

There is no ice, or a considerable lack of ice formation on the outlet of the evaporator.

Examples: No ice at all at the outlet of the evaporator, but ice forms at the inlet half of the evaporator. Or, the ice at the outlet of the evaporator reaches the correct thickness, but the outlet of the evaporator already has 1/2" to 1" of ice formation.

Possible cause: Water loss, low on refrigerant, starving TXV, hot water supply, faulty float valve, etc.

Extremely Thin at Evaporator Inlet

There is no ice, or a considerable lack of ice formation at the inlet of the evaporator. Examples: The ice at the outlet of the evaporator reaches the correct thickness, but there is no ice formation at all at the inlet of the evaporator.

Possible cause: Insufficient water flow, flooding TXV, etc.

Spotty Ice Formation

There are small sections on the evaporator where there is no ice formation. This could be a single corner, or a single spot in the middle of the evaporator. This is generally caused by loss of heat transfer from the tubing on the backside of the evaporator.

No Ice Formation

The ice machine operates for an extended period, but there is no ice formation at all on the evaporator.

Possible cause: Water float valve, water pump, starving expansion valve, low refrigerant charge, compressor, etc.

ANALYZING DISCHARGE PRESSURE

1. Determine the ice machine operating conditions:

Air temperature entering condenser _____

Air temperature around ice machine _____

Water temperature entering sump trough _____

2. Refer to “Installation/Visual Inspection Checklist” on page 109 for ice machine being checked.

Use the operating conditions determined in step 1 to find the published normal discharge pressures.

Freeze Cycle _____

Harvest Cycle _____

3. Perform an actual discharge pressure check.

	Freeze Cycle PSIG	Harvest Cycle PSIG
Beginning of Cycle	_____	_____
Middle of Cycle	_____	_____
End of Cycle	_____	_____

4. Compare the actual discharge pressure (Step 3) with the published discharge pressure (Step 2).

The discharge pressure is normal when the actual pressure falls within the published pressure range for the ice machine’s operating conditions. It is normal for the discharge pressure to be higher at the beginning of the freeze cycle (when load is greatest), then drops throughout the freeze cycle.

Discharge Pressure High Checklist

Improper Installation

- Refer to “Installation/Visual Inspection Checklist” on page 109

Restricted Condenser Air Flow

- High inlet air temperature
- Condenser discharge air re-circulation
- Dirty condenser fins
- Defective fan cycling control
- Defective fan motor

Improper Refrigerant Charge

- Overcharged
- Non-condensable in system
- Wrong type of refrigerant

Other

- Non-Manitowoc components in system
- High side refrigerant lines/component restricted (before mid-condenser)

Freeze Cycle Discharge Pressure Low Checklist

Improper Installation

- Refer to “Installation/Visual Inspection Checklist” on page 109

Improper Refrigerant Charge

- Undercharged
- Wrong type of refrigerant

Other

- Non-Manitowoc components in system
- High side refrigerant lines/component restricted (before mid-condenser)
- Defective fan cycle control

ANALYZING SUCTION PRESSURE

The suction pressure gradually drops throughout the freeze cycle. The actual suction pressure (and drop rate) changes as the air and water temperature entering the ice machine changes. These variables also determine the freeze cycle times.

To analyze and identify the proper suction pressure drop throughout the freeze cycle, compare the published suction pressure to the published freeze cycle time.

NOTE: Analyze discharge pressure before analyzing suction pressure. High or low discharge pressure may be causing high or low suction pressure.

Procedure

Step
1. Determine the ice machine operating conditions. <i>Example:</i> <i>Air temperature entering condenser: 90°F/32.2°C</i> <i>Air temperature around ice machine: 80°F/26.7°C</i> <i>Water temperature entering water fill valve: 70°F/21.1°C</i>
2A. Refer to “Cycle Time” and “Operating Pressure” charts for ice machine model being checked. Using operating conditions from Step 1, determine published freeze cycle time and published freeze cycle suction pressure. <i>Example:</i> <i>Published freeze cycle time: 14.8 - 15.9 minutes</i> <i>Published freeze cycle suction pressure: 65 - 26 psig</i>
2B. Compare the published freeze cycle time and published freeze cycle suction pressure. Develop a chart. <i>Example:</i> <u><i>Published Freeze Cycle Time (minutes)</i></u> <u><i>Published Freeze Cycle Suction Pressure (psig)</i></u> <i>In the example, the proper suction pressure should be approximately 39 psig at 7 minutes; 30 psig at 12 minutes; etc.</i>

Step

3. Perform an actual suction pressure check at the beginning, middle and end of the freeze cycle. Note the times at which the readings are taken.

Example:

Manifold gauge set was connected to the example ice machine and suction pressure readings taken as follows: _____ PSIG

Beginning of freeze cycle: 79 (at 1 min.)

Middle of freeze cycle: 48 (at 7 min.)

End of freeze cycle: 40 (at 14 min.)

4. Compare the actual freeze cycle suction pressure (Step 3) to the published freeze cycle time and pressure comparison (Step 2B). Determine if the suction pressure is high, low or acceptable.

Example:

In this example, the suction pressure is considered high throughout the freeze cycle. It should have been:

Approximately 65 psig (at 1 minute) – not 79

Approximately 39 psig (at 7 minutes) – not 48

Approximately 26 psig (at 14 minutes) – not 40

Suction Pressure High Checklist

Improper Installation

- Refer to “Installation/Visual Inspection Checklist” on page 109

Discharge Pressure

- Discharge pressure is too high, and is affecting suction pressure, refer to “Discharge Pressure High Checklist” on page 114.

Improper Refrigerant Charge

- Overcharged
- Wrong type of refrigerant
- Non-condensable in system

Other

- Non-Manitowoc components in system
- Harvest valve leaking
- TXV flooding (check bulb mounting)
- Defective compressor

Suction Pressure Low Checklist

Improper Installation

- Refer to “Installation/Visual Inspection Checklist” on page 109

Discharge Pressure

- Discharge pressure is too low, and is affecting suction pressure, refer to “Freeze Cycle Discharge Pressure Low Checklist” on page 114.

Improper Refrigerant Charge

- Undercharged
- Wrong type of refrigerant

Other

- Non-Manitowoc components in system
- Improper water supply over evaporator refer to “Water System Checklist” on page 109.
- Loss of heat transfer from tubing on back side of evaporator
- Restricted/plugged liquid line drier
- Restricted/plugged tubing in suction side of refrigeration system
- TXV starving

NOTE: Do not limit your diagnosis to only the items listed in the checklists.

HARVEST VALVE

General

The harvest valve is an electrically operated valve that opens when energized, and closes when de-energized.

Normal Operation

The valve is de-energized (closed) during the freeze cycle and energized (open) during the harvest cycle. The valve is positioned between the receiver and the evaporator and performs two functions:

1. Prevents refrigerant from entering the evaporator during the freeze cycle.

The harvest valve is not used during the freeze cycle. The harvest valve is de-energized (closed) preventing refrigerant flow from the receiver into the evaporator.

2. Allows refrigerant vapor to enter the evaporator in the harvest cycle.

During the harvest cycle, the harvest valve is energized (open) allowing refrigerant gas from the discharge line of the compressor to flow into the evaporator. The heat is absorbed by the evaporator and allows release of the ice slab.

Exact pressures vary according to ambient temperature and ice machine model. Harvest pressures can be found in the "Cycle Times, 24 Hr. Ice Production and Refrigerant Pressure Charts" on page 219.

Harvest Valve Analysis

The valve can fail in two positions:

- Valve will not open in the harvest cycle.
- Valve remains open during the freeze cycle.

VALVE WILL NOT OPEN IN THE HARVEST CYCLE

Although the circuit board has initiated a harvest cycle, the evaporator temperature remains unchanged from the freeze cycle.

VALVE REMAINS OPEN IN THE FREEZE CYCLE:

Symptoms of a harvest valve remaining partially open during the freeze cycle can be similar to symptoms of an expansion valve, float valve or compressor problem. Symptoms are dependent on the amount of leakage in the freeze cycle.

A small amount of leakage will cause increased freeze times and an ice fill pattern that is “Thin at the Outlet”, but fills in at the end of the cycle.

As the amount of leakage increases the length of the freeze cycle increases and the amount of ice at the outlet of the evaporator decreases.

Refer to the Parts Manual for proper valve application. If replacement is necessary, use only “original” Manitowoc replacement parts.

Use the following procedure and table to help determine if a harvest valve is remaining partially open during the freeze cycle.

1. Wait five minutes into the freeze cycle.
2. Feel the inlet of the harvest valve(s).

Important

Feeling the harvest valve outlet or across the harvest valve itself will not work for this comparison.

The harvest valve outlet is on the suction side (cool refrigerant). It may be cool enough to touch even if the valve is leaking.

3. Feel the compressor discharge line.

Warning

The inlet of the harvest valve and the compressor discharge line could be hot enough to burn your hand. Just touch them momentarily.

4. Compare the temperature of the inlet of the harvest valves to the temperature of the compressor discharge line.

Findings	Comments
<p>The inlet of the harvest valve is cool enough to touch and the compressor discharge line is hot.</p> <p>Cool & Hot</p>	<p>This is normal as the discharge line should always be too hot to touch and the harvest valve inlet, although too hot to touch during harvest, should be cool enough to touch after 5 minutes into the freeze cycle.</p>
<p>The inlet of the harvest valve is hot and approaches the temperature of a hot compressor discharge line.</p> <p>Hot & Hot</p>	<p>This is an indication something is wrong, as the harvest valve inlet did not cool down during the freeze cycle. If the compressor dome is also entirely hot, the problem is not a harvest valve leaking, but rather something causing the compressor (and the entire ice machine) to get hot.</p>
<p>Both the inlet of the harvest valve and the compressor discharge line are cool enough to touch.</p> <p>Cool & Cool</p>	<p>This is an indication something is wrong, causing the compressor discharge line to be cool to the touch. This is not caused by a harvest valve leaking.</p>

5. Record your findings on the table.

COMPARING EVAPORATOR INLET/OUTLET TEMPERATURES

The temperatures of the suction lines entering and leaving the evaporator alone cannot diagnose an ice machine. However, comparing these temperatures during the freeze cycle, along with using Manitowoc's Refrigeration System Operational Analysis Table, can help diagnose an ice machine malfunction.

The actual temperatures entering and leaving the evaporator vary by model, and change throughout the freeze cycle. This makes documenting the "normal" inlet and outlet temperature readings difficult. The key to the diagnosis lies in the difference between the two temperatures five minutes into the freeze cycle. These temperatures must be within 7°F (4°C) of each other.

Use this procedure to document freeze cycle inlet and outlet temperatures.

1. Use a quality temperature meter, capable of taking temperature readings on curved copper lines.
2. Attach the temperature meter sensing device to the copper lines entering and leaving the evaporator.

Important

Do not simply insert the sensing device under the insulation. It must be attached to and reading the actual temperature of the copper line.

3. Wait five minutes into the freeze cycle.
4. Record the temperatures below and determine the difference between them.

_____	_____	_____
Inlet Temperature	Difference must be within 7°F (4°C) at 5 minutes into the freeze cycle	Outlet Temperature

5. Use this with other information gathered on the Refrigeration System Operational Analysis Table to determine the ice machine malfunction.

DISCHARGE LINE TEMPERATURE ANALYSIS

GENERAL

Knowing if the discharge line temperature is increasing, decreasing or remaining constant can be an important diagnostic tool. Maximum compressor discharge line temperature on a normally operating ice machine steadily increases throughout the freeze cycle. Comparing the temperatures over several cycles will result in a consistent maximum discharge line temperature.

Ambient air temperatures affect the maximum discharge line temperature.

Higher ambient air temperatures at the condenser = higher discharge line temperatures at the compressor.

Lower ambient air temperatures at the condenser = lower discharge line temperatures at the compressor.

Regardless of ambient temperature, the freeze cycle discharge line temperature will be higher than 150°F (66°C) on a normally operating ice machine.

PROCEDURE

Connect a temperature probe on the compressor discharge line within 6" (15.2 cm) of the compressor. Observe the discharge line temperature for the last three minutes of the freeze cycle and record the maximum discharge line temperature.

Discharge Line Temperature Above 150°F (66°C) at End of Freeze Cycle:

Ice machines that are operating normally will have consistent maximum discharge line temperatures above 150°F (66°C).

Verify the expansion valve sensing bulb is positioned and secured correctly.

Discharge Line Temperature Below 150°F (66°C) at End of Freeze Cycle

Ice machines that have a flooding expansion valve will have a maximum discharge line temperature that decreases each cycle.

Verify the expansion valve sensing bulb is 100% insulated and sealed airtight. Condenser air contacting an incorrectly insulated sensing bulb will cause overfeeding of the expansion valve.

Final Analysis

The column with the highest number of check marks identifies the refrigeration problem.

Column 1 – Harvest Valve Leaking

A leaking harvest valve must be replaced.

Column 2 – Low Charge/TXV Starving

Normally, a starving expansion valve only affects the freeze cycle pressures, not the harvest cycle pressures. A low refrigerant charge normally affects both pressures. Verify the ice machine is not low on charge before replacing an expansion valve.

Add refrigerant charge in 2 oz. increments as a diagnostic procedure to verify a low charge. (Do not add more than the total charge of refrigerant). If the problem is corrected, the ice machine is low on charge. Find the refrigerant leak.

The ice machine must operate with the nameplate charge. If the leak cannot be found, proper refrigerant procedures must still be followed. Change the liquid line drier, evacuate the system and weigh in the proper charge.

If the problem is not corrected by adding charge, the expansion valve is faulty.

Column 3 – TXV Flooding

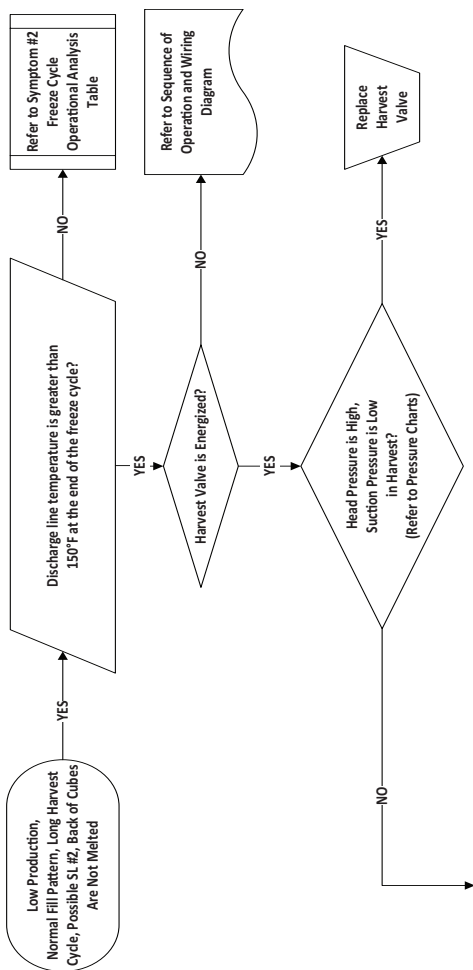
A loose or improperly mounted expansion valve bulb causes the expansion valve to flood. Check bulb mounting, insulation, etc., before changing the valve.

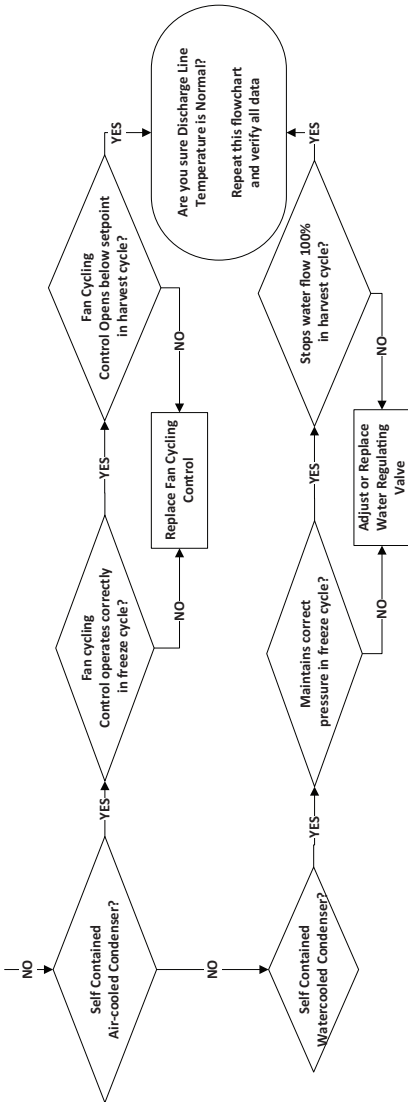
Column 4 – Compressor

Replace the compressor and start components. To receive warranty credit, the compressor ports must be properly sealed by crimping and soldering them closed. Old start components must be returned with the faulty compressor.

SYMPTOM #3

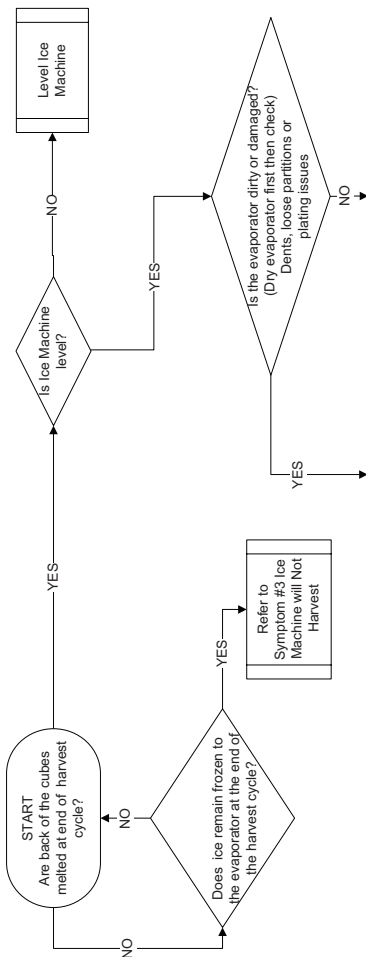
Ice Machine Will Not Harvest – Freeze Cycle Is Normal and Ice Cubes Are Not Melted After Harvest

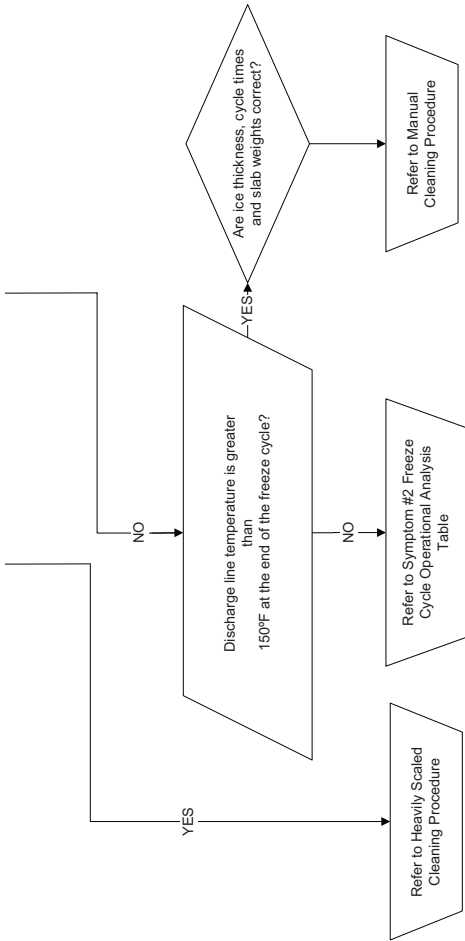




SYMPTOM #4

Ice Machine Will Not Harvest – Freeze Cycle is Normal and Ice Cubes Are Not Melted After Harvest





*A damaged evaporator may not be repairable. For example: the top molding assembly is replaceable however the side moldings and/or the evaporator grid is not repairable.

Troubleshooting UDE0065

DIAGNOSING AN ICE MACHINE THAT WILL NOT RUN

Warning

High (line) voltage is applied to the control board (terminals #2 and #8) at all times. Removing control board fuse or moving the toggle switch to OFF will not remove the power supplied to the control board.

1. Verify primary voltage is supplied to ice machine and the fuse/circuit breaker is closed.
2. Verify control board fuse is okay. If the bin switch light functions, the fuse is okay.
3. Verify the bin switch functions properly. A defective bin switch can falsely indicate a full bin of ice.
4. Verify ON/OFF/WASH toggle switch functions properly. A defective toggle switch may keep the ice machine in the OFF mode.
5. Verify low DC voltage is properly grounded. Loose DC wire connections may intermittently stop the ice machine.
6. Replace the control board - Be sure Steps 1 – 5 were followed thoroughly. Intermittent problems are not usually related to the control board.

REFRIGERATION DIAGNOSTICS OVERVIEW UDE0065

UDE0065 ice machines have a very small refrigerant charge and we do not recommend diagnosing the ice machine using refrigerant pressures. For this reason refrigeration access fittings are not installed during production and the ice machine is diagnosed with temperatures.

Verify that your water flow is even across the entire evaporator before diagnosing the refrigeration system. Mineral build-up on the evaporator assembly can cause water tracking and an erratic ice fill pattern. Descale with Manitowoc Ice Machine cleaner/descaler to remove any mineral buildup before diagnosing the refrigeration system.

The following can be used for diagnostics:

1. Install a temperature lead on the compressor suction line within 6" of the compressor.
2. Install a temperature lead on the compressor discharge line within 6" of the compressor
3. Refer to the "Cycle Times, 24 Hr. Ice Production and Refrigerant Pressure Charts" on page 219 to determine the correct temperature operating range for your air and water temperature.
4. Record the temperatures throughout the freeze and harvest cycles.

NOTE: First cycle is not used for refrigeration system diagnostics. Run a minimum of two cycles to allow the system to stabilize and record the second cycle.

Normal Operation

Example below is for normal operation at 86°F (30°C) air temperature 68°F (20°C) water temperature.

FREEZE CYCLE

- Normal suction line temperature at the compressor will range from 86°F (30°C) three minutes into the cycle to 8°F (-13°C) at the end of the freeze cycle.
- Normal discharge line temperature at the compressor will range from 168°F (76°C) to 140°F (60°C) through the freeze cycle.

HARVEST CYCLE

Suction line temperature at the compressor will range from 64°F (18°C) to 111°F (44°C) through the harvest cycle. An obstructed capillary tube will not effect suction line temperature range during the harvest cycle. Low refrigerant charge will have a lower temperature than normal.

Discharge line temperature at the compressor will range from 180°F (82°C) to 150°F (60°C) through the harvest cycle.

Ice fill pattern will vary depending on severity of the obstruction or refrigeration loss. Ice fill patterns will range from no ice on the entire evaporator to thin only at the evaporator outlet (thin at the bottom, thick at the top of the evaporator).

Abnormal temperatures

Higher than normal freeze cycle temperatures.

- A dirty filter or condenser will result in higher than normal temperatures. Always clean the filter and condenser before diagnosing the refrigeration system.
- Hot water entering the ice machine will result in high suction and discharge line temperatures in the freeze cycle.

Capillary tube failures or low refrigerant charge will always result in a starving evaporator.

- An obstructed capillary tube or low refrigerant charge will have a suction line temperature higher than normal.
- An obstructed capillary tube or low refrigerant charge will have a discharge line temperature lower than normal.
- An obstructed capillary tube will not effect the discharge line temperature during the harvest cycle. A low freeze and discharge line temperature in the freeze cycle with a normal harvest cycle discharge line temperature indicates an obstructed capillary tube.
- Low refrigerant charge will have both the suction and discharge line temperatures lower than normal in the freeze and harvest cycles.

ICE PRODUCTION CHECK

The amount of ice a machine produces directly relates to the operating water and air temperatures. This means an ice machine with a 70°F (21°C) ambient temperature and 50°F (10°C) water produces more ice than the same ice machine with 90°F (32°C) ambient and 70°F (21°C) water.

- Determine the ice machine operating conditions:
 Air temp entering condenser: _____°
 Air temp around ice machine: _____°
 Water temp entering sump trough: _____°
- Refer to the appropriate "Cycle Times, 24 Hr. Ice Production and Refrigerant Pressure Charts" on page 219. Use the operating conditions determined in Step 1 to find published 24-Hour Ice Production: _____
 - Times are in minutes.
 Example: 1 min. 15 sec. converts to 1.25 min.
 (15 seconds ÷ 60 seconds = .25 minutes)
 - Weights are in pounds.
 Example: 2 lb. 6 oz. converts to 2.375 lb.
 (6 oz. ÷ 16 oz. = .375 lb.)
- Perform an ice production check using the formula below.

1.	$\frac{\text{Freeze Time}}{\text{Freeze Time}}$	+	$\frac{\text{Harvest Time}}{\text{Harvest Time}}$	=	$\frac{\text{Total Cycle Time}}{\text{Total Cycle Time}}$
2.	$\frac{1440}{\text{Minutes in 24 Hrs.}}$	÷	$\frac{\text{Total Cycle Time}}{\text{Total Cycle Time}}$	=	$\frac{\text{Cycles per Day}}{\text{Cycles per Day}}$
3.	$\frac{\text{Weight of One Harvest}}{\text{Weight of One Harvest}}$	x	$\frac{\text{Cycles per Day}}{\text{Cycles per Day}}$	=	$\frac{\text{Actual 24-Hour Production}}{\text{Actual 24-Hour Production}}$

Weighing the ice is the only 100% accurate check.

4. Compare the results of step 3 with step 2. Ice production is normal when these numbers match closely. If they match closely, determine if:
 - Another larger ice machine is required.
 - Relocating the existing equipment to lower the load conditions is required.

Contact the local Manitowoc distributor for information on available options and accessories.

INSTALLATION/VISUAL INSPECTION CHECKLIST

Ice machine is not level

- Level the ice machine

Condenser is dirty

- Clean the condenser

Water filtration is plugged (if used)

- Install a new water filter

Water drains are not run separately and/or are not vented

- Run and vent drains according to the Installation Manual

WATER SYSTEM CHECKLIST

A water-related problem often causes the same symptoms as a refrigeration system component malfunction.

Water system problems must be identified and eliminated prior to replacing refrigeration components.

Water area (evaporator) is dirty

- Descale as needed

Water inlet pressure not between 20 and 80 psig (1–5 bar, 138–552 kPa)

- Install a water regulator valve or increase the water pressure

Incoming water temperature is not between 40°F (3°C) and 90°F (32°C)

- If too hot, check the hot water line check valves in other store equipment

Water filtration is plugged (if used)

- Install a new water filter

Vent tube is not installed on water outlet drain

- See Installation Instructions

Hoses, fittings, etc., are leaking water

- Repair/replace as needed

Water valve is stuck open, closed or is leaking

- Descale/replace as needed

Continued Next Page

Water is spraying out of the sump trough area

- Stop the water spray

Water is leaking through the sump trough overflow

- Set the water level 1/4" -3/8" below standpipe

Uneven water flow across the evaporator

- Descale the ice machine

Water is freezing behind the evaporator

- Correct the water flow

Plastic extrusions and gaskets are not secured to the evaporator

- Remount/replace as needed.

UDE0065 Refrigeration Diagnostics

Perform the procedures on the preceding pages before performing refrigeration diagnostics. The first pages cover an overview of the diagnostic procedures followed by diagnostics checklists.

Install thermometer thermocouples on Suction and Discharge line:

- Digital thermometers with remote thermocouples must be used to obtain temperatures.
- Suction and Discharge line thermocouples must be within 3" (76.2 mm) of the compressor.
- Thermocouples must be insulated.
- Doors and all panels must be in place.
- Initial freeze cycle is not used for diagnostics.
- Start monitoring temperatures 3 minutes into the second freeze cycle.

Compare Suction and Discharge temperatures to your model in the charts starting on page 220.

The charts list normal suction and discharge temperatures.

Analysis

Discharge Line Temp	Suction Line Temp	Ice Fill Pattern	Refer to Diagnostics for:
Normal	Normal	Less fill on the left side of the evaporator	This is normal operation
Low (20°F [-7°C] or more)	Low 20°F (-7°C) or more)	Less fill on the left side of the evaporator	Expansion Valve Flooding
Normal or High	High 10°F (-12°C) or more)	Less fill on the left side and top 2 rows of the evaporator	Low on Refrigerant or Expansion Valve Starving
Normal	Low 5°F (-15°C) or less)	Less fill on the left side of the evaporator	Refrigerant Overcharge

FLOODING EXPANSION VALVE SYMPTOMS

A flooding expansion valve will have discharge and suction line temperatures 20°F (-7°C) lower than normal freeze cycle temperatures. Normal suction line temperature and low discharge line temperature DO NOT verify a flooding valve. Both discharge line temperature and suction line temperature must be low to verify a flooding expansion valve. Ice fill pattern is thin on the left hand side of the evaporator.

STARVING EXPANSION VALVE/LOW REFRIGERANT CHARGE SYMPTOMS:

A. Ice Fill Pattern

- Thin on top two rows of the evaporator
- Thin on entire left side of the evaporator
- Thick on the bottom of the evaporator

B. Freeze time longer than normal

Diagnosis can be confirmed by adding installing a temporary access valve and adding 2 oz (56.7 g) of refrigerant: If the suction line temperature drops or the ice fill pattern on the top two rows fills in, the ice machine is low on refrigerant. Refer to charging procedures for access valve installation/removal procedure.

OVERCHARGED SYSTEM SYMPTOMS

Suction line temperature will be slightly low during freeze cycle 5°F (-15°C). Discharge line temperature is normal. Actual amperage readings will be higher than nameplate rating.

ANALYZING ICE FORMATION PATTERN

Evaporator ice formation pattern analysis is helpful in ice machine diagnostics.

Analyzing the ice formation pattern alone cannot diagnose an ice machine malfunction. However, when this analysis is used along with Manitowoc's Refrigeration System Operational Analysis Table, it can help diagnose an ice machine malfunction.



Normal Ice Formation

Ice forms across the entire evaporator surface.

At the beginning of the Freeze cycle, it may appear that more ice is forming on the inlet of the evaporator than at the outlet. At the end of the Freeze cycle, ice formation at the outlet will be close to, or just a bit thinner than, ice formation at the inlet. The dimples in the cubes at the outlet of the evaporator may be more pronounced than those at the inlet. This is normal.

If ice forms uniformly across the evaporator surface, but does not do so in the proper amount of time, this is still considered a normal ice fill pattern.

Extremely Thin at Evaporator Outlet

There is no ice, or a considerable lack of ice formation on the outlet of the evaporator.

Examples: No ice at all at the outlet of the evaporator, but ice forms at the inlet half of the evaporator. Or, the ice at the outlet of the evaporator reaches the correct thickness, but the outlet of the evaporator already has 1/2" to 1" of ice formation.

Possible cause: Water loss, low on refrigerant, starving TXV, hot water supply, faulty float valve, etc.

Extremely Thin at Evaporator Inlet

There is no ice, or a considerable lack of ice formation at the inlet of the evaporator. Examples: The ice at the outlet of the evaporator reaches the correct thickness, but there is no ice formation at all at the inlet of the evaporator.

Possible cause: Insufficient water flow, flooding TXV, etc.

Spotty Ice Formation

There are small sections on the evaporator where there is no ice formation. This could be a single corner, or a single spot in the middle of the evaporator. This is generally caused by loss of heat transfer from the tubing on the backside of the evaporator.

No Ice Formation

The ice machine operates for an extended period, but there is no ice formation at all on the evaporator.

Possible cause: Water float valve, water pump, starving expansion valve, low refrigerant charge, compressor, etc.

ANALYZING DISCHARGE LINE TEMPERATURE

1. Determine the ice machine operating conditions:
Air temperature entering condenser _____
Air temperature around ice machine _____
Water temperature entering sump trough _____
2. Refer to “Installation/Visual Inspection Checklist” on page 137 for ice machine being checked.

Use the operating conditions determined in step 1 to find the published normal discharge temperatures.

Freeze Cycle _____

Harvest Cycle _____

3. Perform an actual discharge temperature check.

	Freeze Cycle Temperature	Harvest Cycle Temperature
Beginning of Cycle	_____	_____
Middle of Cycle	_____	_____
End of Cycle	_____	_____

4. Compare the actual discharge temperature (Step 3) with the published discharge temperature (Step 2).

The discharge temperature is normal when the actual temperature falls within the published temperature range for the ice machine’s operating conditions. It is normal for the discharge temperature to be lower at the beginning of the freeze cycle, then climb through out the freeze cycle.

Discharge Line Temperature High Checklist

Improper Installation

- Refer to “Installation/Visual Inspection Checklist” on page 137

Restricted Condenser Air Flow

- High inlet air temperature
- Condenser discharge air re-circulation
- Dirty condenser fins
- Defective fan cycling control
- Defective fan motor

Improper Refrigerant Charge

- Overcharged
- Non-condensable in system
- Wrong type of refrigerant

Other

- Non-Manitowoc components in system
- High side refrigerant lines/component restricted (before mid-condenser)

Freeze Cycle Discharge Temperature Low Checklist

Improper Installation

- Refer to “Installation/Visual Inspection Checklist” on page 137

Improper Refrigerant Charge

- Undercharged
- Wrong type of refrigerant

Other

- Non-Manitowoc components in system
- High side refrigerant lines/component restricted (before mid-condenser)
- Defective fan cycle control

ANALYZING SUCTION LINE TEMPERATURE

The suction line temperature gradually drops throughout the freeze cycle. The actual suction temperature (and drop rate) changes as the air and water temperature entering the ice machine changes. These variables also determine the freeze cycle times. To analyze and identify the proper suction temperature drop throughout the freeze cycle, compare the published suction temperature to the published freeze cycle time.

NOTE: Analyze discharge temperature before analyzing suction temperature. High or low discharge temperature may be causing high or low suction temperature.

1. Determine the ice machine operating conditions:

Air temperature entering condenser _____

Air temperature around ice machine _____

Water temperature entering sump trough _____

Use the operating conditions determined in step 1 to find the published normal suction temperatures.

Freeze Cycle _____

Harvest Cycle _____

2. Perform an actual suction temperature check.

	Freeze Cycle Temperature	Harvest Cycle Temperature
Beginning of Cycle	_____	_____
Middle of Cycle	_____	_____
End of Cycle	_____	_____

3. Compare the actual suction temperature (Step 3) with the published suction temperature (Step 2).

The suction temperature is normal when the actual temperature falls within the published temperature range for the ice machine's operating conditions. It is normal for the suction temperature to be higher at the beginning of the freeze cycle, then drop through out the freeze cycle.

Suction Temperature High Checklist

Improper Installation

- Refer to “Installation/Visual Inspection Checklist” on page 137

Discharge Pressure

- Discharge temperature is too high, and is affecting suction temperature, refer to “Discharge Line Temperature High Checklist” on page 145.

Improper Refrigerant Charge

- Overcharged
- Wrong type of refrigerant
- Non-condensable in system

Other

- Non-Manitowoc components in system
- Harvest valve leaking
- TXV flooding (check bulb mounting)
- Defective compressor

Suction Temperature Low Checklist

Improper Installation

- Refer to “Installation/Visual Inspection Checklist” on page 137

Discharge Pressure

- Discharge temperature is too low, and is affecting suction temperature, refer to “Freeze Cycle Discharge Temperature Low Checklist” on page 145.

Improper Refrigerant Charge

- Undercharged
- Wrong type of refrigerant

Other

- Non-Manitowoc components in system
- Improper water supply over evaporator refer to “Water System Checklist” on page 138.
- Loss of heat transfer from tubing on back side of evaporator
- Restricted/plugged liquid line drier
- Restricted/plugged tubing in suction side of refrigeration system
- TXV starving

NOTE: Do not limit your diagnosis to only the items listed in the checklists.

COMPARING EVAPORATOR INLET/OUTLET TEMPERATURES

The temperatures of the suction line entering and leaving the evaporator alone cannot diagnose an ice machine. However, comparing these temperatures during the freeze cycle can help diagnose an ice machine malfunction.

The actual temperatures entering and leaving the evaporator vary by model, and change throughout the freeze cycle. This makes documenting the “normal” inlet and outlet temperature readings difficult. The key to the diagnosis lies in the difference between the two temperatures five minutes into the freeze cycle. These temperatures must be within 7°F (4°C) of each other.

Use this procedure to document freeze cycle inlet and outlet temperatures.

1. Use a quality temperature meter, capable of taking temperature readings on curved copper lines.
2. Attach the temperature meter sensing device to the copper lines entering and leaving the evaporator.

Important

Do not simply insert the sensing device under the insulation. It must be attached to and reading the actual temperature of the copper line.

3. Wait five minutes into the freeze cycle.
4. Record the temperatures below and determine the difference between them.

_____	_____	_____
Inlet Temperature	Difference must be within 7°F (4°C) at 5 minutes into the freeze cycle	Outlet Temperature

5. Use this with other information gathered on the Refrigeration System Operational Analysis Table to determine the ice machine malfunction.

DISCHARGE LINE TEMPERATURE ANALYSIS

GENERAL

Knowing if the discharge line temperature is increasing, decreasing or remaining constant can be an important diagnostic tool. Maximum compressor discharge line temperature on a normally operating ice machine steadily increases throughout the freeze cycle. Comparing the temperatures over several cycles will result in a consistent maximum discharge line temperature.

Ambient air temperatures affect the maximum discharge line temperature.

Higher ambient air temperatures at the condenser = higher discharge line temperatures at the compressor.

Lower ambient air temperatures at the condenser = lower discharge line temperatures at the compressor.

Regardless of ambient temperature, the freeze cycle discharge line temperature will be higher than 150°F (66°C) on a normally operating ice machine.

PROCEDURE

Connect a temperature probe on the compressor discharge line within 6" (15.2 cm) of the compressor. Observe the discharge line temperature for the last three minutes of the freeze cycle and record the maximum discharge line temperature.

Discharge Line Temperature Above 150°F (66°C) at End of Freeze Cycle:

Ice machines that are operating normally will have consistent maximum discharge line temperatures above 150°F (66°C).

Verify the expansion valve sensing bulb is positioned and secured correctly.

Discharge Line Temperature Below 150°F (66°C) at End of Freeze Cycle

Ice machines that have a flooding expansion valve will have a maximum discharge line temperature that decreases each cycle.

Verify the expansion valve sensing bulb is 100% insulated and sealed airtight. Condenser air contacting an incorrectly insulated sensing bulb will cause overfeeding of the expansion valve.

HARVEST VALVE

General

The harvest valve is an electrically operated valve that opens when energized, and closes when de-energized.

Normal Operation

The valve is de-energized (closed) during the freeze cycle and energized (open) during the harvest cycle. The valve is positioned between the receiver and the evaporator and performs two functions:

1. Prevents refrigerant from entering the evaporator during the freeze cycle.

The harvest valve is not used during the freeze cycle. The harvest valve is de-energized (closed) preventing refrigerant flow from the receiver into the evaporator.

2. Allows refrigerant vapor to enter the evaporator in the harvest cycle.

During the harvest cycle, the harvest valve is energized (open) allowing refrigerant gas from the discharge line of the compressor to flow into the evaporator. The heat is absorbed by the evaporator and allows release of the ice slab.

Exact temperatures vary according to ambient temperature and ice machine model.

Harvest Valve Analysis

The valve can fail in two positions:

- Valve will not open in the harvest cycle.
- Valve remains open during the freeze cycle.

VALVE WILL NOT OPEN IN THE HARVEST CYCLE

Although the circuit board has initiated a harvest cycle, the evaporator temperature remains unchanged from the freeze cycle.

VALVE REMAINS OPEN IN THE FREEZE CYCLE:

Symptoms of a harvest valve remaining partially open during the freeze cycle can be similar to symptoms of an expansion valve, float valve or compressor problem. Symptoms are dependent on the amount of leakage in the freeze cycle.

A small amount of leakage will cause increased freeze times and an ice fill pattern that is “Thin at the Outlet”, but fills in at the end of the cycle.

As the amount of leakage increases the length of the freeze cycle increases and the amount of ice at the outlet of the evaporator decreases.

Refer to the Parts Manual for proper valve application. If replacement is necessary, use only “original” Manitowoc replacement parts.

Use the following procedure and table to help determine if a harvest valve is remaining partially open during the freeze cycle.

1. Wait five minutes into the freeze cycle.
2. Feel the inlet of the harvest valve(s).

Important

Feeling the harvest valve outlet or across the harvest valve itself will not work for this comparison.

The harvest valve outlet is on the suction side (cool refrigerant). It may be cool enough to touch even if the valve is leaking.

3. Feel the compressor discharge line.

Warning

The inlet of the harvest valve and the compressor discharge line could be hot enough to burn your hand. Just touch them momentarily.

4. Compare the temperature of the inlet of the harvest valves to the temperature of the compressor discharge line.

Findings	Comments
<p>The inlet of the harvest valve is cool enough to touch and the compressor discharge line is hot.</p> <p>Cool & Hot</p>	<p>This is normal as the discharge line should always be too hot to touch and the harvest valve inlet, although too hot to touch during harvest, should be cool enough to touch after 5 minutes into the freeze cycle.</p>
<p>The inlet of the harvest valve is hot and approaches the temperature of a hot compressor discharge line.</p> <p>Hot & Hot</p>	<p>This is an indication something is wrong, as the harvest valve inlet did not cool down during the freeze cycle. If the compressor dome is also entirely hot, the problem is not a harvest valve leaking, but rather something causing the compressor (and the entire ice machine) to get hot.</p>
<p>Both the inlet of the harvest valve and the compressor discharge line are cool enough to touch.</p> <p>Cool & Cool</p>	<p>This is an indication something is wrong, causing the compressor discharge line to be cool to the touch. This is not caused by a harvest valve leaking.</p>

Troubleshooting UDE0080

DIAGNOSING AN ICE MACHINE THAT WILL NOT RUN

Warning

High (line) voltage is applied to the control board (terminals #2 and #4) at all times. Removing control board fuse or moving the toggle switch to OFF will not remove the power supplied to the control board.

1. Verify primary voltage is supplied to ice machine and the fuse/circuit breaker is closed.
2. Verify control board fuse is okay.
3. If the bin switch light functions, the fuse is okay.
4. Verify the bin switch functions properly. A defective bin switch can falsely indicate a full bin of ice.
5. Verify ON/OFF/WASH toggle switch functions properly. A defective toggle switch may keep the ice machine in the OFF mode.
6. Verify low DC voltage is properly grounded. Loose DC wire connections may intermittently stop the ice machine.
7. Be sure Steps 1 – 6 were followed thoroughly. Intermittent problems are not usually related to the control board.
8. Replace the control board.

SAFETY LIMIT FEATURE

In addition to the standard safety controls, your Manitowoc ice machine features built-in safety limits that will stop the ice machine if conditions arise which could cause a major component failure.

Safety Limit #1:

If the freeze time reaches 60 minutes, the control board automatically initiates a harvest cycle. 3 cycles outside the time limit = 1 hour Stand-by Mode.

Safety Limit #2:

If the harvest time reaches 3.5 minutes, the control board automatically returns the ice machine to the freeze cycle. 3 cycles outside the time limit = Safety Limit (must be MANUALLY reset).

Safety Limit Stand-by Mode:

The first time a safety limit shut down occurs, the ice machine turns off for 60 minutes (Stand-by Mode). The ice machine will then automatically restart to see if the problem reoccurs.

During the Stand-by Mode the harvest light will be flashing continuously and a safety limit indication can be viewed. If the same safety limit is reached a second time (the problem has reoccurred), the ice machine will initiate a safety limit shut down and remain off until it is manually restarted. During a safety limit shut down the harvest light will be flashing continuously.

Determining Which Safety Limit Stopped the Ice Machine:
When a safety limit condition causes the ice machine to stop, the harvest light on the control board continually flashes on and off. Use the following procedures to determine which safety limit has stopped the ice machine.

1. Move the toggle switch to OFF.
2. Move the toggle switch back to ON.
3. Watch the harvest light. It will flash one or two times, corresponding to safety limits 1 and 2, to indicate which safety limit stopped the ice machine.

After safety limit indication, the ice machine will restart and run until a safety limit is exceeded again.

Safety Limit Notes

- A continuous run of 100 harvests automatically erases the safety limit code.
- The control board will store and indicate only one safety limit – the last one exceeded.
- If the toggle switch is cycled OFF and then ON prior to reaching the 100-harvest point, the last safety limit exceeded will be indicated.

Safety Limit Checklist

The following checklists are designed to assist the service technician in analysis. However, because there are many possible external problems, do not limit your diagnosis to only the items listed.

Safety Limit #1

Freeze time exceeds 60 minutes for 6 consecutive freeze cycles.

Possible Cause Checklist

Improper installation

- Refer to “Installation/Visual Inspection Checklist” on page 166

Water System

- Water Level too high or defective float (water escaping water trough)
- Low water pressure (20 psig min.)
- High water pressure (80 psig max.)
- High water temperature (90°F/32.2°C max.)
- Clogged water distribution tube
- Defective water pump

Electrical System

- Harvest cycle not initiated electrically
- Contactor not energizing
- Compressor electrically non-operational
- Restricted condenser air flow
- High inlet air temperature (110°F/43.3°C max.)
- Condenser discharge air re-circulation
- Dirty condenser fins
- Defective fan cycling control
- Defective fan motor
- Low water pressure (20 psig min.)
- High water temperature (90°F/32.2°C max.)
- Dirty condenser

Refrigeration System

- Non-Manitowoc components
- Improper refrigerant charge
- Defective compressor
- TXV starving or flooding (check bulb mounting)
- Non-condensable in refrigeration system
- Plugged or restricted high side refrigerant lines or component
- Defective harvest valve

Safety Limit #2

Harvest time exceeds 3.5 minutes for 3 Consecutive harvest cycles.

Possible Cause Checklist

Improper installation

- Refer to “Installation/Visual Inspection Checklist” on page 166

Water System

- Water area (evaporator) dirty
- Dirty/defective water dump valve
- Vent tube not installed on water outlet drain
- Water freezing behind evaporator
- Plastic extrusions and gaskets not securely mounted to the evaporator
- Low water pressure (20 psig min.)
- Loss of water from sump area
- Clogged water distribution tube
- Dirty/defective water inlet float
- Defective water pump

Electrical system

- Bin switch defective
- Premature harvest

Refrigeration system

- Non-Manitowoc components
- Improper refrigerant charge
- Defective harvest valve
- TXV flooding (check bulb mounting)
- Defective fan cycling control

DIAGNOSING ICE THICKNESS CONTROL CIRCUITRY

Ice Machine Does Not Cycle Into Harvest when Water Contacts the Ice Thickness Control Probe

Step 1 Bypass the freeze time lock-in feature by moving the ON/OFF/WASH switch to OFF and back to ON. Wait until the water starts to flow over the evaporator.

Step 2 Clip the jumper wire to the ice thickness probe and any cabinet ground.

Step 2 Jumper wire connected from probe to ground	
Monitoring Harvest Light	Correction
The harvest light comes on, and 6-10 seconds later, ice machine cycles from freeze to harvest.	The ice thickness control circuitry is functioning properly. Do not change any parts.
The harvest light comes on but the ice machine stays in the freeze sequence.	The ice control circuitry is functioning properly. The ice machine is in a six minute freeze time lock-in. Verify Step 1 of this procedure was followed correctly.
The harvest light does not come on.	Proceed to Step 3.

Step 3 Disconnect the ice thickness probe from the control board terminal. Clip the jumper wire to the terminal on the control board and any cabinet ground. Monitor the harvest light.

Step 3 Jumper wire connected from control board terminal to ground	
Monitoring Harvest Light	Correction
The harvest light comes on, and 6-10 seconds later, ice machine cycles from freeze to harvest.	The ice thickness probe is causing the malfunction.
The harvest light comes on but the ice machine stays in the freeze sequence.	The control circuitry is functioning properly. The ice machine is in a six minute freeze time lock-in (verify step 1 of this procedure was followed correctly).
The harvest light does not energize.	The control board is causing the malfunction.

Ice Machine Cycles Into Harvest Before Water Contact with the Ice Thickness Probe

Step 1 Bypass the freeze time lock-in feature by moving the ON/OFF/WASH switch to OFF and back to ON. Wait until the water starts to flow over the evaporator, then monitor the harvest light.

Step 2 Disconnect the ice thickness probe from the control board terminal.

Step 2 Disconnect probe from control board terminal.	
Monitoring Harvest Light	Correction
The harvest light stays off and the ice machine remains in the freeze sequence.	The ice thickness probe is causing the malfunction. Verify that the Ice Thickness probe is adjusted correctly.
The harvest light comes on, and 6-10 seconds later, the ice machine cycles from freeze to harvest.	The control board is causing the malfunction.

ICE PRODUCTION CHECK

The amount of ice a machine produces directly relates to the operating water and air temperatures. This means an ice machine with a 70°F (21°C) ambient temperature and 50°F (10°C) water produces more ice than the same ice machine with 90°F (32°C) ambient and 70°F (21°C) water.

1. Determine the ice machine operating conditions:
Air temperature entering condenser: _____°
Air temperature around ice machine: _____°
Water temperature entering sump trough: _____°
2. Refer to the appropriate model in the “Cycle Times, 24 Hr. Ice Production and Refrigerant Pressure Charts” on page 219. Use the operating conditions determined in Step 1 to find published 24-Hour Ice Production: _____
 - Times are in minutes.
Example: 1 min. 15 sec. converts to 1.25 min.
(15 seconds ÷ 60 seconds = .25 minutes)
 - Weights are in pounds.
Example: 2 lb. 6 oz. converts to 2.375 lb.
(6 oz. ÷ 16 oz. = .375 lb.)

3. Perform an ice production check using the formula below.

1.	$\frac{\text{Freeze Time}}{\text{Freeze Time}}$	+	$\frac{\text{Harvest Time}}{\text{Harvest Time}}$	=	$\frac{\text{Total Cycle Time}}{\text{Total Cycle Time}}$
2.	$\frac{1440}{\text{Minutes in 24 Hrs.}}$	÷	$\frac{\text{Total Cycle Time}}{\text{Total Cycle Time}}$	=	$\frac{\text{Cycles per Day}}{\text{Cycles per Day}}$
3.	$\frac{\text{Weight of One Harvest}}{\text{Weight of One Harvest}}$	x	$\frac{\text{Cycles per Day}}{\text{Cycles per Day}}$	=	$\frac{\text{Actual 24-Hour Production}}{\text{Actual 24-Hour Production}}$

Weighing the ice is the only 100% accurate check.

4. Compare the results of step 3 with step 2. Ice production is normal when these numbers match closely. If they match closely, determine if:
- Another larger ice machine is required.
 - Relocating the existing equipment to lower the load conditions is required.

Contact the local Manitowoc distributor for information on available options and accessories.

INSTALLATION/VISUAL INSPECTION CHECKLIST

Ice machine is not level

- Level the ice machine

Condenser is dirty

- Clean the condenser

Water filtration is plugged (if used)

- Install a new water filter

Water drains are not run separately and/or are not vented

- Run and vent drains according to the Installation Manual

WATER SYSTEM CHECKLIST

A water-related problem often causes the same symptoms as a refrigeration system component malfunction.

Water system problems must be identified and eliminated prior to replacing refrigeration components.

Water area (evaporator) is dirty

- Descale as needed

Water inlet pressure not between 20 and 80 psig (1–5 bar, 138–552 kPa)

- Install a water regulator valve or increase the water pressure

Incoming water temperature is not between 40°F (3°C) and 90°F (32°C)

- If too hot, check the hot water line check valves in other store equipment

Water filtration is plugged (if used)

- Install a new water filter

Vent tube is not installed on water outlet drain

- See Installation Instructions

Hoses, fittings, etc., are leaking water

- Repair/replace as needed

Water valve is stuck open, closed or is leaking

- Descale/replace as needed

Water is spraying out of the sump trough area

- Stop the water spray

Water is leaking through the sump trough overflow

- Set the water level 1/4"-3/8" below standpipe

Uneven water flow across the evaporator

- Descale the ice machine

Water is freezing behind the evaporator

- Correct the water flow

Plastic extrusions and gaskets are not secured to the evaporator

- Remount/replace as need.

UDE0080 Refrigeration Diagnostics

Perform the procedures on the preceding pages before performing refrigeration diagnostics. The first pages cover an overview of the diagnostic procedures followed by diagnostics checklists.

Install thermometer thermocouples on Suction and Discharge line:

- Digital thermometers with remote thermocouples must be used to obtain temperatures.
- Suction and Discharge line thermocouples must be within 3" (76.2 mm) of the compressor.
- Thermocouples must be insulated.
- Doors and all panels must be in place.
- Initial freeze cycle is not used for diagnostics.
- Start monitoring temperatures 3 minutes into the second freeze cycle.

Compare Suction and Discharge temperatures to your model in the charts starting on page 222.

The charts list normal suction and discharge temperatures.

Analysis

Discharge Line Temp	Suction Line Temp	Ice Fill Pattern	Refer to Diagnostics for:
Normal	Normal	Less fill on the left side of the evaporator	This is normal operation
Low (20°F [-7°C] or more)	Low 20°F (-7°C) or more)	Less fill on the left side of the evaporator	Expansion Valve Flooding
Normal or High	High 10°F (-12°C) or more)	Less fill on the left side and top 2 rows of the evaporator	Low on Refrigerant or Expansion Valve Starving
Normal	Low 5°F (-15°C) or less)	Less fill on the left side of the evaporator	Refrigerant Overcharge

FLOODING EXPANSION VALVE SYMPTOMS

A flooding expansion valve will have discharge and suction line temperatures 20°F (-7°C) lower than normal freeze cycle temperatures. Normal suction line temperature and low discharge line temperature DO NOT verify a flooding valve. Both discharge line temperature and suction line temperature must be low to verify a flooding expansion valve. Ice fill pattern is thin on the left hand side of the evaporator.

STARVING EXPANSION VALVE/LOW REFRIGERANT CHARGE SYMPTOMS:

- A. Ice Fill Pattern
 - Thin on top two rows of the evaporator
 - Thin on entire left side of the evaporator
 - Thick on the bottom of the evaporator
- B. Freeze time longer than normal

Diagnosis can be confirmed by adding installing a temporary access valve and adding 2 oz (56.7 g) of refrigerant: If the suction line temperature drops or the ice fill pattern on the top two rows fills in, the ice machine is low on refrigerant. Refer to charging procedures for access valve installation/removal procedure.

OVERCHARGED SYSTEM SYMPTOMS

Suction line temperature will be slightly low during freeze cycle 5°F (-15°C). Discharge line temperature is normal. Actual amperage readings will be higher than nameplate rating.

ANALYZING ICE FORMATION PATTERN

Evaporator ice formation pattern analysis is helpful in ice machine diagnostics.

Analyzing the ice formation pattern alone cannot diagnose an ice machine malfunction. However, when this analysis is used along with Manitowoc's Refrigeration System Operational Analysis Table, it can help diagnose an ice machine malfunction.



Normal Ice Formation

Ice forms across the entire evaporator surface.

At the beginning of the Freeze cycle, it may appear that more ice is forming on the inlet of the evaporator than at the outlet. At the end of the Freeze cycle, ice formation at the outlet will be close to, or just a bit thinner than, ice formation at the inlet. The dimples in the cubes at the outlet of the evaporator may be more pronounced than those at the inlet. This is normal.

If ice forms uniformly across the evaporator surface, but does not do so in the proper amount of time, this is still considered a normal ice fill pattern.

Extremely Thin at Evaporator Outlet

There is no ice, or a considerable lack of ice formation on the outlet of the evaporator.

Examples: No ice at all at the outlet of the evaporator, but ice forms at the inlet half of the evaporator. Or, the ice at the outlet of the evaporator reaches the correct thickness, but the inlet of the evaporator already has 1/2" to 1" of ice formation.

Possible cause: Water loss, low on refrigerant, starving TXV, hot water supply, faulty float valve, etc.

Extremely Thin at Evaporator Inlet

There is no ice, or a considerable lack of ice formation at the inlet of the evaporator. Examples: The ice at the outlet of the evaporator reaches the correct thickness, but there is no ice formation at all at the inlet of the evaporator.

Possible cause: Insufficient water flow, flooding TXV, etc.

Spotty Ice Formation

There are small sections on the evaporator where there is no ice formation. This could be a single corner, or a single spot in the middle of the evaporator. This is generally caused by loss of heat transfer from the tubing on the backside of the evaporator.

No Ice Formation

The ice machine operates for an extended period, but there is no ice formation at all on the evaporator.

Possible cause: Water float valve, water pump, starving expansion valve, low refrigerant charge, compressor, etc.

ANALYZING DISCHARGE LINE TEMPERATURE

1. Determine the ice machine operating conditions:

Air temperature entering condenser _____

Air temperature around ice machine _____

Water temperature entering sump trough _____

2. Refer to “Installation/Visual Inspection Checklist” on page 166 for ice machine being checked.

Use the operating conditions determined in step 1 to find the published normal discharge temperatures.

Freeze Cycle _____

Harvest Cycle _____

3. Perform an actual discharge temperature check.

	Freeze Cycle Temperature	Harvest Cycle Temperature
Beginning of Cycle	_____	_____
Middle of Cycle	_____	_____
End of Cycle	_____	_____

4. Compare the actual discharge temperature (Step 3) with the published discharge temperature (Step 2).

The discharge temperature is normal when the actual temperature falls within the published temperature range for the ice machine’s operating conditions. It is normal for the discharge temperature to be lower at the beginning of the freeze cycle, then climb through out the freeze cycle.

Discharge Line Temperature High Checklist

Improper Installation

- Refer to “Installation/Visual Inspection Checklist” on page 166

Restricted Condenser Air Flow

- High inlet air temperature
- Condenser discharge air re-circulation
- Dirty condenser fins
- Defective fan cycling control
- Defective fan motor

Improper Refrigerant Charge

- Overcharged
- Non-condensable in system
- Wrong type of refrigerant

Other

- Non-Manitowoc components in system
- High side refrigerant lines/component restricted (before mid-condenser)

Freeze Cycle Discharge Temperature Low Checklist

Improper Installation

- Refer to “Installation/Visual Inspection Checklist” on page 166

Improper Refrigerant Charge

- Undercharged
- Wrong type of refrigerant

Other

- Non-Manitowoc components in system
- High side refrigerant lines/component restricted (before mid-condenser)
- Defective fan cycle control

ANALYZING SUCTION LINE TEMPERATURE

The suction line temperature gradually drops throughout the freeze cycle. The actual suction temperature (and drop rate) changes as the air and water temperature entering the ice machine changes. These variables also determine the freeze cycle times. To analyze and identify the proper suction temperature drop throughout the freeze cycle, compare the published suction temperature to the published freeze cycle time.

NOTE: Analyze discharge temperature before analyzing suction temperature. High or low discharge temperature may be causing high or low suction temperature.

1. Determine the ice machine operating conditions:

Air temperature entering condenser _____

Air temperature around ice machine _____

Water temperature entering sump trough _____

Use the operating conditions determined in step 1 to find the published normal suction temperatures.

Freeze Cycle _____

Harvest Cycle _____

2. Perform an actual suction temperature check.

	Freeze Cycle Temperature	Harvest Cycle Temperature
Beginning of Cycle	_____	_____
Middle of Cycle	_____	_____
End of Cycle	_____	_____

3. Compare the actual suction temperature (Step 3) with the published suction temperature (Step 2).

The suction temperature is normal when the actual temperature falls within the published temperature range for the ice machine's operating conditions. It is normal for the suction temperature to be higher at the beginning of the freeze cycle, then drop through out the freeze cycle.

Suction Temperature High Checklist

Improper Installation

- Refer to “Installation/Visual Inspection Checklist” on page 166

Discharge Pressure

- Discharge temperature is too high, and is affecting suction temperature, refer to “Discharge Line Temperature High Checklist” on page 174.

Improper Refrigerant Charge

- Overcharged
- Wrong type of refrigerant
- Non-condensable in system

Other

- Non-Manitowoc components in system
- Harvest valve leaking
- TXV flooding (check bulb mounting)
- Defective compressor

Suction Temperature Low Checklist

Improper Installation

- Refer to “Installation/Visual Inspection Checklist” on page 166

Discharge Pressure

- Discharge temperature is too low, and is affecting suction temperature, refer to “Freeze Cycle Discharge Temperature Low Checklist” on page 174.

Improper Refrigerant Charge

- Undercharged
- Wrong type of refrigerant

Other

- Non-Manitowoc components in system
- Improper water supply over evaporator refer to “Water System Checklist” on page 167.
- Loss of heat transfer from tubing on back side of evaporator
- Restricted/plugged liquid line drier
- Restricted/plugged tubing in suction side of refrigeration system
- TXV starving

NOTE: Do not limit your diagnosis to only the items listed in the checklists.

COMPARING EVAPORATOR INLET/OUTLET TEMPERATURES

The temperatures of the suction line entering and leaving the evaporator alone cannot diagnose an ice machine. However, comparing these temperatures during the freeze cycle can help diagnose an ice machine malfunction.

The actual temperatures entering and leaving the evaporator vary by model, and change throughout the freeze cycle. This makes documenting the “normal” inlet and outlet temperature readings difficult. The key to the diagnosis lies in the difference between the two temperatures five minutes into the freeze cycle. These temperatures must be within 7°F (4°C) of each other.

Use this procedure to document freeze cycle inlet and outlet temperatures.

1. Use a quality temperature meter, capable of taking temperature readings on curved copper lines.
2. Attach the temperature meter sensing device to the copper lines entering and leaving the evaporator.

Important

Do not simply insert the sensing device under the insulation. It must be attached to and reading the actual temperature of the copper line.

3. Wait five minutes into the freeze cycle.
4. Record the temperatures below and determine the difference between them.

_____	_____	_____
Inlet Temperature	Difference must be within 7°F (4°C) at 5 minutes into the freeze cycle	Outlet Temperature

5. Use this with other information gathered on the Refrigeration System Operational Analysis Table to determine the ice machine malfunction.

DISCHARGE LINE TEMPERATURE ANALYSIS

GENERAL

Knowing if the discharge line temperature is increasing, decreasing or remaining constant can be an important diagnostic tool. Maximum compressor discharge line temperature on a normally operating ice machine steadily increases throughout the freeze cycle. Comparing the temperatures over several cycles will result in a consistent maximum discharge line temperature.

- Ambient air temperatures affect the maximum discharge line temperature.
- Higher ambient air temperatures at the condenser equal higher discharge line temperatures at the compressor.
- Lower ambient air temperatures at the condenser equal lower discharge line temperatures at the compressor.

NOTE: Regardless of ambient temperature, the freeze cycle discharge line temperature will be higher than 150°F (66°C) on a normally operating ice machine.

PROCEDURE

Connect a temperature probe on the compressor discharge line within 6" (15.2 cm) of the compressor. Observe the discharge line temperature for the last three minutes of the freeze cycle and record the maximum discharge line temperature.

Discharge Line Temperature Above 150°F (66°C) at End of Freeze Cycle:

Ice machines that are operating normally will have consistent maximum discharge line temperatures above 150°F (66°C).

Verify the expansion valve sensing bulb is positioned and secured correctly.

Discharge Line Temperature Below 150°F (66°C) at End of Freeze Cycle

Ice machines that have a flooding expansion valve will have a maximum discharge line temperature that decreases each cycle.

Verify the expansion valve sensing bulb is 100% insulated and sealed airtight. Condenser air contacting an incorrectly insulated sensing bulb will cause overfeeding of the expansion valve.

HARVEST VALVE

General

The harvest valve is an electrically operated valve that opens when energized, and closes when de-energized.

Normal Operation

The valve is de-energized (closed) during the freeze cycle and energized (open) during the harvest cycle. The valve is positioned between the receiver and the evaporator and performs two functions:

1. Prevents refrigerant from entering the evaporator during the freeze cycle.

The harvest valve is not used during the freeze cycle. The harvest valve is de-energized (closed) preventing refrigerant flow from the receiver into the evaporator.

2. Allows refrigerant vapor to enter the evaporator in the harvest cycle.

During the harvest cycle, the harvest valve is energized (open) allowing refrigerant gas from the discharge line of the compressor to flow into the evaporator. The heat is absorbed by the evaporator and allows release of the ice slab.

Exact temperatures vary according to ambient temperature and ice machine model.

Harvest Valve Analysis

The valve can fail in two positions:

- Valve will not open in the harvest cycle.
- Valve remains open during the freeze cycle.

VALVE WILL NOT OPEN IN THE HARVEST CYCLE

Although the circuit board has initiated a harvest cycle, the evaporator temperature remains unchanged from the freeze cycle.

VALVE REMAINS OPEN IN THE FREEZE CYCLE:

Symptoms of a harvest valve remaining partially open during the freeze cycle can be similar to symptoms of an expansion valve, float valve or compressor problem. Symptoms are dependent on the amount of leakage in the freeze cycle.

A small amount of leakage will cause increased freeze times and an ice fill pattern that is “Thin at the Outlet”, but fills in at the end of the cycle.

As the amount of leakage increases the length of the freeze cycle increases and the amount of ice at the outlet of the evaporator decreases.

Refer to the Parts Manual for proper valve application. If replacement is necessary, use only “original” Manitowoc replacement parts.

Use the following procedure and table to help determine if a harvest valve is remaining partially open during the freeze cycle.

1. Wait five minutes into the freeze cycle.
2. Feel the inlet of the harvest valve(s).

Important

Feeling the harvest valve outlet or across the harvest valve itself will not work for this comparison.

The harvest valve outlet is on the suction side (cool refrigerant). It may be cool enough to touch even if the valve is leaking.

3. Feel the compressor discharge line.

Warning

The inlet of the harvest valve and the compressor discharge line could be hot enough to burn your hand. Just touch them momentarily.

4. Compare the temperature of the inlet of the harvest valves to the temperature of the compressor discharge line.

Findings	Comments
<p>The inlet of the harvest valve is cool enough to touch and the compressor discharge line is hot.</p> <p>Cool & Hot</p>	<p>This is normal as the discharge line should always be too hot to touch and the harvest valve inlet, although too hot to touch during harvest, should be cool enough to touch after 5 minutes into the freeze cycle.</p>
<p>The inlet of the harvest valve is hot and approaches the temperature of a hot compressor discharge line.</p> <p>Hot & Hot</p>	<p>This is an indication something is wrong, as the harvest valve inlet did not cool down during the freeze cycle. If the compressor dome is also entirely hot, the problem is not a harvest valve leaking, but rather something causing the compressor (and the entire ice machine) to get hot.</p>
<p>Both the inlet of the harvest valve and the compressor discharge line are cool enough to touch.</p> <p>Cool & Cool</p>	<p>This is an indication something is wrong, causing the compressor discharge line to be cool to the touch. This is not caused by a harvest valve leaking.</p>

Component Check Procedures

MAIN FUSE

Function

The control board fuse stops ice machine operation if electrical components fail causing high amp draw.

Specifications

- UDE0080/U0140/UF0140/U0190/UF0190/U0240/UF0240/U0310/UF0310 - 250 Volt, 10 amp.
- UDE0065 - 250 Volt, 8 amp.

Warning

High (line) voltage is applied to the control board at all times. Removing the control board fuse or pressing the power button will not remove the power supplied to the control board.

Check Procedure

1. If the curtain light is on with the ice damper closed, the fuse is good.

Warning

Disconnect electrical power to the entire ice machine before proceeding.

2. Remove the fuse. Check the resistance across the fuse with an ohmmeter.

Reading	Result
Open (OL)	Replace fuse
Closed (O)	Fuse is good

BIN SWITCH

**UDE0080/U0140/UF0140/U0190/UF0190/U0240/
UF0240/U0310/UF0310**

Function

Bin switch operation is controlled by the movement of the ice damper. The bin switch has two main functions:

1. Terminating the harvest cycle and returning the ice machine to the freeze cycle.

This occurs when the bin switch is opened and closed again within 7 seconds of opening during the harvest cycle.

2. Automatic ice machine shut-off.

If the storage bin is full at the end of a harvest cycle, the sheet of cubes fails to clear the ice damper and holds it down. After the ice damper is held down for 7 seconds, the ice machine shuts off.

The ice machine remains off until enough ice is removed from the storage bin to allow the sheet of cubes to drop clear of the ice damper. As the ice damper swings back to the operating position, the bin switch closes and the ice machine restarts.

Important

The ice damper must be up (bin switch closed) to start ice making.

Check Procedure

1. Press the power button to OFF.
2. Watch the curtain light on the control board.
3. Move the ice damper upward, toward the evaporator. The bin switch must close. The curtain light “on” indicates the bin switch has closed properly.
4. Move the ice damper away from the evaporator. The bin switch must open. The curtain light “off” indicates the bin switch has opened properly.

Ohm Test

1. Disconnect the bin switch wires to isolate the bin switch from the control board.
2. Connect an ohmmeter to the disconnected bin switch wires.
3. Cycle the bin switch open and closed numerous times by opening and closing the water curtain.

NOTE: To prevent mis-diagnosis:

- Always use the water curtain magnet to cycle the switch (a larger or smaller magnet will affect switch operation).
- Watch for consistent readings when the bin switch is cycled open and closed (bin switch failure could be erratic).

TOUCH PAD

U0140/UF0140/U0190/UF0190/U0240/UF0240/U0310/
UF0310

Function

User interface to select ice making, delay start or cleaning cycle and provides feedback on ice machine operation.

Check For Normal Operation

Action	Normal Function
Press and hold the control board test button for 3 seconds	All Touch Pad lights turn on
Press test button	All Touch Pad lights turn off
Press power button	Power light turns on
With power light energized press the delay button 4 times	Cycles through 4 hour delay, 12 hour delay, 24 hour delay and off
Press and hold the power button for 3 seconds	Power light turns off
Press and hold the clean button for 3 seconds	Clean light turns on
Press and hold the clean button for 3 seconds	Clean light turns off
If any switches do not operate correctly, disconnect main power to the ice machine to reset the control board and perform a second test. If the second test doesn't show normal function, perform the Ohm test to verify the issue is not a wiring or control board issue.	

Ohm Test

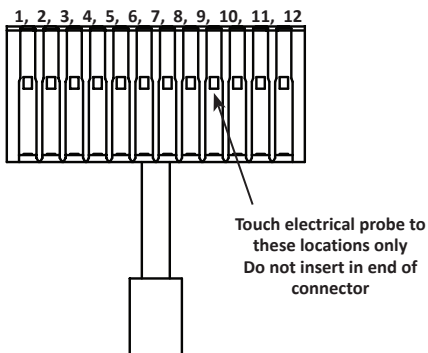
Disconnect power from ice machine.

Disconnect wire from control board and Ohm touch pad and interconnecting wire to verify correct operation.

Pressing and depressing the touch pad must open and close the circuit. A switch that functions correctly will close as the button is pressed and open as the button is released.

Do not insert electrical probe into end of connector. This will stretch the connector and cause intermittent connection issues. All readings must be taken on the flat exterior of the connector.

Selection	Wires
On/Off	#2 & #7
Delay	#3 & #7
Clean	#4 & #7



Control Board Connector

FLOAT SWITCH

U0140/UF0140/U0190/UF0190/U0240/UF0240/
U0310/UF0310

Function

Open and close to indicate to the control board the level of water in the water trough.

Specifications

Normally closed, float operated magnetic reed switch.

The float switch contacts are closed in the down position. When water raises the float to the up position the magnet in the float opens the contacts.

Check Procedure

The ice machine uses two float switches.

Ice Thickness Float -Indicates the water level has been reached.

Harvest Float - Indicates a harvest cycle needs to be initiated.

Initial testing can be performed by viewing the control board light(s) while raising and lowering the float. The corresponding control board light must turn on and off when the float is raised and lowered.

Harvest Float switch:

- A. The light must be on in the up position.
- B. The light must be off in the down position.

 **Caution**

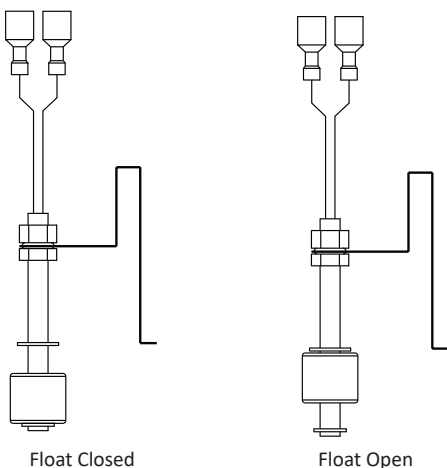
Do not disassemble float for Descaling - Incorrect reassembly of the float will result in an ice machine that will not harvest.

Ice Thickness Float Switch:

- A. The light must be off in the down position.
- B. The light must be on in the up position.

If the control board light does not respond to the float proceed with step 1 below.

1. Disconnect power to the ice machine, pull the wire connector for the float switch through the bulkhead and disconnect.
2. Attach an ohm meter lead to each float switch wire.
3. Place the float in the down position - The float switch must be closed.
4. Place the float in the up position - The float switch must be open.



NOTE: Make adjustments with the ice machine in the off position. Making adjustments during the freeze cycle may produce an initial sheet of ice that is thicker than future cycles.

Float	Float Up	Float Down
Ice Thickness Float	OL	< 1 Ohm
Harvest Float	OL	< 1 Ohm

WATER TROUGH THERMISTOR

**U0140/UF0140/U0190/UF0190/U0240/UF0240/U0310/
UF0310**

Function

Thermistor resistance values change with temperature. The value supplied to the control board is used to identify temperature at the thermistor location.

When the resistance value indicates a temperature of 34°F (1.1°C) the control board will delay the water pump for 25 seconds. When the water pump restarts the water inlet valve will energize for 7 seconds then turn off.

NOTE: If the ice machine is experiencing long freeze cycle shut down, we recommend removing the thermistor and bracket permanently.

Check procedure

THERMISTOR

1. Disconnect thermistor from control board and measure resistance.
2. Measure temperature at the thermistor.
3. Compare measured resistance/temperature readings to resistance/temperature relationship chart.
 - A. Within 10% of the published resistance value
Thermistor is good
 - B. Not within 10% of the published resistance value
- Thermistor is defective.

CONTROL BOARD OPERATION

1. Disconnect thermistor from control board - The control board thermistor LED will flash 1 second on and 1 second off.
2. The control board will default to the 3.75 minute pump delay in the freeze cycle.

THERMISTOR CHART

Important

If the ohmmeter reads "OL," check the scale setting on the meter before assuming the thermistor is bad.

Temperature of Thermistor		Resistance
°C	°F	K Ohms (x1000)
-7 - -1.0	19 - 30	47.06 - 34.36
0.0	32	32.65
0.5	33	31.82
1.0	33.8	31.03
1.1	34	30.85
1.5	34.7	30.25
2.0	35.6	29.49
2.5	36.5	28.76
3.0	37	28.05
3.5	38	27.36
4.0 - 10.5	39 - 51	26.68 - 19.43
11.0 - 15.0	52 - 59	18.97 - 15.71
15.5 - 20.0	60 - 68	15.35 - 12.49
20.5 - 25.0	69 - 77	12.21 - 10.00
25.5 - 30.0	78 - 86	9.78 - 8.05
30.5 - 35.0	87 - 95	7.88 - 6.39
36.5 - 40.0	98 - 104	6.14 - 5.32
40.5 - 46.0	105 - 115	5.22 - 4.20

NOTE: The control board will default to a 3.75 minute pump delay in the freeze cycle, whenever the thermistor is disconnected or reads outside the resistance ranges in the table.

BIN THERMOSTAT UDE0065

Function

The bin thermostat stops the ice machine when the bin is full. The level of ice in the ice storage bin controls the ice machine shut-off. When the bin is full, ice cubes contact the bin thermostat bulb holder, which cools down and opens the bin thermostat to stop the ice machine. The ice machine remains off until enough ice has been removed from the bin. This causes the thermostat bulb holder to warm and closes the bin thermostat, restarting the ice machine.

Specifications

Control	Setting
Bin Thermostat	Cut in: 40°F (4.5°C) Cut out: 34°F (1.0°C)

Warning

Disconnect electrical power to the entire ice machine before proceeding.

1. Remove the back panel to access the bin thermostat.
2. Disconnect both wires from the bin thermostat and check the resistance across the bin thermostat terminals

No Ice On Bulb	Ice On Bulb	Result
Closed	Open	Thermostat good
Open	Closed	Replace Thermostat

NOTE: After covering/uncovering the bulb holder with ice, wait at least three minutes to allow the thermostat to react. (Open/Close)

LIQUID LINE THERMISTOR UDE0065

Function

The liquid line thermistor senses the refrigeration system liquid line temperature. This is used in conjunction with the control board to determine the length of the freeze and harvest cycles.

Specifications

10,000 Ohms +/- 2% at 25°C (77°F)

Check Procedure

Verify that the thermistor resistance is accurate and corresponds to the high and low temperature ranges.

1. Disconnect the thermistor at the control board. Connect an ohmmeter to the isolated thermistor wire leads.
2. Using a temperature meter capable of taking readings on curved copper lines, attach the temperature meter sensing device to the liquid line next to the thermistor.

Important

Do not simply “insert” the sensing device under the insulation. It must be attached to and reading the actual temperature of the copper liquid line.

3. With the ice machine running, verify that the temperature of the discharge line (step 2) corresponds to the thermistor resistance reading (step 1) as stated in the temperature/resistant chart.

Important

If the thermistor would fail closed, the light on the control board will flash rapidly. If the thermistor would fail open, the light on the control board will flash slowly.

Temperature/Resistance Chart UDE0065

As the temperature rises at the thermistor block, the resistance drops.

Important

If the ohmmeter reads "OL," check the scale setting on the meter before assuming the thermistor is bad.

Temperature of Thermistor		Resistance
°C	°F	K Ohms (x1000)
15.6 - 21.1	60 - 70	15.31 - 11.88
21.1 - 26.7	70 - 80	11.88 - 9.29
26.7 - 32.2	80 - 90	9.29 - 7.33
32.2 - 37.8	90 - 100	7.33 - 5.82
37.8-43.3	100 - 110	5.82 - 4.66
43.3 - 48.9	110 - 120	4.66 - 3.75
48.9 - 54.5	120 - 130	3.75 - 3.05
54.5 - 60.0	130 - 140	3.05 - 2.49
60.0 - 65.6	140 - 150	2.49 - 2.04
65.6 - 71.1	150 - 160	2.04 - 1.68
76.7 - 82.2	170 - 180	1.40 - 1.17
82.2 - 87.3	180 - 190	1.17 - 0.98
87.8 - 93.3	190 - 200	0.98 - 0.82
93.3 - 98.9	200 - 210	0.82 - 0.70
100	212	0.73 - 0.62
Boiling water bath		
104.4 - 110.0	220 - 230	0.59 - 0.51
110.0 - 115.6	230 - 240	0.51 - 0.43
115.6 - 121.1	240 - 250	0.43 - 0.37
121.1 - 126.7	250 - 260	0.37 - 0.33

ON/OFF/WASH TOGGLE SWITCH UDE0065/UDE0080

FUNCTION

The switch is used to place the ice machine in ON, OFF or WASH mode of operation.

SPECIFICATIONS

Single-pole, double-throw switch. The switch is connected into a varying low D.C. voltage circuit.

CHECK PROCEDURE

NOTE: Because of a wide variation in D.C. voltage, it is not recommended that a voltmeter be used to check toggle switch operation.

1. Inspect the toggle switch for correct wiring.
2. Isolate the toggle switch by disconnecting all wires from the switch, or by disconnecting the Molex connector from the control board.
3. Check across the toggle switch terminals using a calibrated ohmmeter. Note where the wire numbers are connected to the switch terminals, or refer to the wiring diagram to take proper readings.

COMPRESSOR ELECTRICAL DIAGNOSTICS

The compressor does not start or will trip repeatedly on overload.

Check Resistance (Ohm) Values

NOTE: Compressor windings can have very low ohm values. Use a properly calibrated meter.

Perform the resistance test after the compressor cools. The compressor dome should be cool enough to touch (below 120°F/49°C) to ensure that the overload is closed and the resistance readings will be accurate.

Single Phase Compressors

1. Disconnect power from the condensing unit and remove the wires from the compressor terminals.
2. The resistance values between C and S and between C and R, when added together should equal the resistance value between S and R.
3. If the overload is open, there will be a resistance reading between S and R, and open readings between C and S and between C and R. Allow the compressor to cool, then check the readings again.

Check Motor Windings to Ground

Check continuity between all three terminals and the compressor shell or copper refrigeration line. Scrape metal surface to get good contact. If continuity is present, the compressor windings are grounded and the compressor should be replaced.

To determine if the compressor is seized check the amp draw while the compressor is trying to start.

Compressor Drawing Locked Rotor

The two likely causes of this are:

- Defective starting component
- Mechanically seized compressor

To determine which you have:

1. Install high and low side gauge.
2. Try to start the compressor.
3. Watch the pressures closely.
 - If the pressures do not move, the compressor is seized. Replace the compressor.
 - If the pressures move, the compressor is turning slowly and is not seized. Check the capacitors and relay.

Compressor Drawing High Amps

The continuous amperage draw on start-up should not be near the maximum fuse size indicated on the serial tag.

The wiring must be correctly sized to minimize voltage drop at compressor start-up. The voltage when the compressor is trying to start must be within $\pm 10\%$ of the nameplate voltage.

FAN CYCLE CONTROL

UDE0080/U0140/UF0140/U0190/UF0190/U0240/
UF0240/U0310/UF0310

Function

Cycles the fan motor on and off to maintain proper operating discharge pressure.

The fan cycle control closes on an increase, and opens on a decrease in discharge pressure.

Specifications

Model	Cut-In (Close)	Cut-Out (Open)
UDE0080	145 psig \pm 5	110 psig \pm 5
U0140 U0190/UF0190	250 psig \pm 5	200 psig \pm 5
U0240 U0310	275 psig \pm 5	225 psig \pm 5

Check Procedure

Disconnect electrical power to the ice machine at the electrical service disconnect.

Verify fan motor windings are not open or grounded, and fan spins freely.

Connect manifold gauge to ice machine.

Hook voltmeter in parallel across the fan cycle control, leaving wires attached.

Reconnect electrical power to the ice machine and press the power button to ON.

Wait until water flows over the evaporator then refer to chart below.

System Pressure:	Reading Should Be:	Fan Should Be:
Above cut-in	0 volts	Running
Below cut-out	Line voltage	Off

HIGH PRESSURE CUTOUT (HPCO) CONTROL UDE0080 U0140/UF0140/U0190/UF0190/U0240/ UF0240/U0310/UF0310

Function

Stops the ice machine if subjected to excessive high-side pressure.

The HPCO control is normally closed, and opens on a rise in discharge pressure.

Specifications

Cut-out: 450 psig \pm 10

Cut-in: Automatic reset

(Must be below 300 psig to reset)

Check Procedure

1. Switch to OFF.
2. Connect manifold gauge.
3. Hook voltmeter in parallel across the HPCO, leaving wires attached.
4. On water-cooled models, close the water service valve to the water condenser inlet. On self-contained air-cooled models, disconnect the fan motor.
5. Set to ON - No water or air flowing through the condenser will cause the HPCO control to open because of excessive pressure. Watch the pressure gauge and record the cut-out pressure.

Warning

If discharge pressure exceeds 460 psig and the HPCO control does not open, press the power button to stop ice machine operation.

Replace the HPCO control if it:

- Will not reset (below 300 psig)
- Does not open at the specified cut-out point

Filter-Driers

Liquid Line Filter Drier

The filter-drier used on Manitowoc ice machines are manufactured to Manitowoc specifications.

The difference between a Manitowoc drier and an off-the-shelf drier is in filtration. A Manitowoc drier has dirt-retaining filtration, with fiberglass filters on both the inlet and outlet ends. This is very important because ice machines have a back-flushing action that takes place during every harvest cycle.

A Manitowoc filter-drier has a very high moisture removal capability and a good acid removal capacity.

Important

The liquid line drier is covered as a warranty part. The liquid line drier must be replaced any time the system is opened for repair.

Refrigerant Recovery/Evacuation

DEFINITIONS

Recover

To remove refrigerant, in any condition, from a system and store it in an external container, without necessarily testing or processing it in any way.

Recycle

To clean refrigerant for re-use by oil separation and single or multiple passes through devices, such as replaceable core filter-driers, which reduce moisture, acidity and particulate matter. This term usually applies to procedures implemented at the field job site or at a local service shop.

Reclaim

To reprocess refrigerant to new product specifications (see below) by means which may include distillation. A chemical analysis of the refrigerant is required after processing to be sure that product specifications are met. This term usually implies the use of processes and procedures available only at a reprocessing or manufacturing facility.

Chemical analysis is the key requirement in this definition. Regardless of the purity levels reached by a reprocessing method, refrigerant is not considered “reclaimed” unless it has been chemically analyzed and meets ARI Standard 700 (latest edition).

New Product Specifications

This means ARI Standard 700 (latest edition). Chemical analysis is required to assure that this standard is met.

REFRIGERANT RE-USE POLICY

Manitowoc recognizes and supports the need for proper handling, re-use, and disposal of refrigerants. Manitowoc service procedures require recapturing refrigerants, not venting them to the atmosphere.

It is not necessary, in or out of warranty, to reduce or compromise the quality and reliability of your customers' products to achieve this.

Important

Manitowoc Ice assumes no responsibility for use of contaminated refrigerant. Damage resulting from the use of contaminated, recovered, or recycled refrigerant is the sole responsibility of the servicing company.

Manitowoc approves the use of:

1. New Refrigerant
 - Must be of original nameplate type.
2. Reclaimed Refrigerant
 - Must be of original nameplate type.
 - Must meet ARI Standard 700 (latest edition) specifications.
3. Recovered or Recycled Refrigerant
 - Must be recovered or recycled in accordance with current local, state and federal laws.
 - Must be recovered from and re-used in the same Manitowoc product. Re-use of recovered or recycled refrigerant from other products is not approved.

4. Recovered refrigerant must come from a “contaminant-free” system. To decide whether the system is contaminant free, consider:
 - Type(s) of previous failure(s)
 - Whether the system was cleaned, evacuated and recharged properly following failure(s)
 - Whether the system has been contaminated by this failure
 - Compressor motor burnouts and improper past service prevent refrigerant re-use.
 - Refer to “” on page 213 to test for contamination.
5. “Substitute” or “Alternative” Refrigerant
 - Must use only Manitowoc-approved alternative refrigerants.
 - Must follow Manitowoc-published conversion procedures.

RECOVERY AND RECHARGING PROCEDURES U0140/UF0140/U0190/UF0190/U0240/UF0240/U0310/ UF0310

Do not purge refrigerant to the atmosphere. Capture refrigerant using recovery equipment. Follow the manufacturer's recommendations.

Important

Manitowoc Ice assumes no responsibility for the use of contaminated refrigerant. Damage resulting from the use of contaminated refrigerant is the sole responsibility of the servicing company.

Important

Replace the liquid line drier before evacuating and recharging. Use only a Manitowoc (O.E.M.) liquid line filter drier to prevent voiding the warranty.

CONNECTIONS

1. Suction side of the compressor through the suction service valve.
2. Discharge side of the compressor through the discharge service valve.

SELF-CONTAINED RECOVERY/EVACUATION

1. Place the power button in the OFF position.
2. Install manifold gauge set, charging cylinder/scale, and recovery unit or two-stage vacuum pump.
3. Open (backseat) the high and low side ice machine service valves, and open high and low side on manifold gauge set.
4. Perform recovery or evacuation:
 - A. Recovery: Operate the recovery unit as directed by the manufacturer's instructions.
 - B. Evacuation prior to recharging: Pull the system down to 500 microns. Then, allow the pump to run for an additional half hour. Turn off the pump and perform a standing vacuum leak check.

NOTE: Check for leaks using an electronic leak detector after charging the ice machine.

Follow the Charging Procedures below.

CHARGING PROCEDURES

Important

The charge is critical on all Manitowoc ice machines. Use a scale or a charging cylinder to ensure the proper charge is installed.

1. Be sure the power button is in the OFF position.
2. Close the vacuum pump valve, the low side service valve, and the low side manifold gauge valve.
3. Open the high side manifold gauge valve, and backseat the high side service valve.
4. Open the charging cylinder and add the proper refrigerant charge (shown on nameplate) through the discharge service valve.
5. Let the system "settle" for 2 to 3 minutes.
6. Press the power button to the on position.

7. Close the high side on the manifold gauge set.

NOTE: Manifold gauge set must be removed properly to ensure that no refrigerant contamination or loss occurs.

8. Make sure that all of the vapor in the charging hoses is drawn into the ice machine before disconnecting the charging hoses.
 - A. Run the ice machine in freeze cycle.
 - B. Close the high side service valve at the ice machine.
 - C. Open the low side service valve at the ice machine (when supplied) or disconnect the low loss fitting from the access valve.
 - D. Open the high and low side valves on the manifold gauge set. Any refrigerant in the lines will be pulled into the low side of the system.
 - E. Allow the pressures to equalize while the ice machine is in the freeze cycle.
 - F. Close the low side service valve at the ice machine.
9. Remove the hoses from the ice machine and install the caps.

RECOVERY AND RECHARGING PROCEDURES UDE0065/UDE0080

Do not purge refrigerant to the atmosphere. Capture refrigerant using recovery equipment. Follow the manufacturer's recommendations.

Important

Manitowoc Ice assumes no responsibility for the use of contaminated refrigerant. Damage resulting from the use of contaminated refrigerant is the sole responsibility of the servicing company.

Important

Replace the liquid line drier before evacuating and recharging. Use only a Manitowoc (OEM) liquid line filter drier to prevent voiding the warranty.

CONNECTIONS

These ice machines are critically charged. There are no refrigerant access ports on these ice machines.

1. Locate the high and low side process tubes.
2. Install a piercing valve (saddle valve) on both the high and low side process tubes.

Important

- Remove piercing valves after charging.
- Unit is critically charged. Nitrogen must be purged through the system while brazing to prevent build up of copper oxide in the refrigeration system.
- Manifold gauge set must be removed properly to ensure that no refrigerant contamination or loss occurs. A quick disconnect is required for the high side connection.

RECOVERY/EVACUATION

1. Place the toggle switch in the OFF position.
2. Install manifold gauge set, charging scale, and recovery unit or two-stage vacuum pump.
3. Open the high and low side valves on manifold gauge set.
4. Perform recovery or evacuation:
 - A. Recovery: Operate the recovery unit as directed by the manufacturer's instructions.
 - B. Evacuation prior to recharging: Pull the system down to 500 microns. Then, allow the pump to run for an additional half hour. Turn off the pump and perform a standing vacuum leak check.

NOTE: Check for leaks using a halide or electronic leak detector after charging the ice machine.

CHARGING PROCEDURES

Important

The charge is critical on all Manitowoc ice machines. Use a scale to ensure the proper charge is installed. A quick disconnect is required for the high side connection

1. Verify the toggle switch is in the OFF position.
2. Close the vacuum pump valve and the low side manifold gauge valve.
3. Open the high side manifold gauge valve.
4. Open the refrigerant cylinder and add the proper refrigerant charge (shown on nameplate) through the discharge service valve.
5. Close the high side on the manifold gauge set. Add any remaining vapor charge through the suction access fitting (if necessary).

Let the system “settle” for 2 to 3 minutes.

6. Place the toggle switch in the ICE position.

NOTE: Manifold gauge set must be removed properly to ensure that no refrigerant contamination or loss occurs.

7. Verify that all of the vapor in the charging hoses is drawn into the ice machine before disconnecting the charging hoses.
 - A. Run the ice machine in the freeze cycle.
 - B. Verify the refrigerant cylinder valve is closed.
 - C. Open the high and low side valves on the manifold gauge set. Any refrigerant in the lines will be pulled into the low side of the system.
 - D. Allow the pressures to equalize while the ice machine is in the freeze cycle.
 - E. Close the high and low side manifold gauge set and remove from the ice machine.
 - F. Remove the temporary access fittings

System Contamination Cleanup

This section describes the basic requirements for restoring contaminated systems to reliable service.

Important

Manitowoc Ice assumes no responsibility for the use of contaminated refrigerant. Damage resulting from the use of contaminated refrigerant is the sole responsibility of the servicing company.

DETERMINING SEVERITY OF CONTAMINATION

System contamination is generally caused by either moisture or residue from compressor burnout entering the refrigeration system.

Inspection of the refrigerant usually provides the first indication of system contamination. Obvious moisture or an acrid odor in the refrigerant indicates contamination.

If either condition is found, or if contamination is suspected use a test kit.

If a refrigerant test kit indicates harmful levels of contamination, or if a test kit is not available, inspect the compressor oil.

1. Remove the refrigerant charge from the ice machine.
2. Remove the compressor from the system.
3. Check the odor and appearance of the oil.
4. Inspect open suction and discharge lines at the compressor for burnout deposits.
5. If no signs of contamination are present, perform an acid oil test to determine the type of cleanup required.

Contamination/Cleanup Chart	
Symptoms/Findings	Required Cleanup Procedure
No symptoms or suspicion of contamination	Normal evacuation/recharging procedure
Moisture/Air Contamination symptoms Refrigeration system open to atmosphere for longer than 15 minutes Refrigeration test kit and/or acid oil test shows contamination No burnout deposits in open compressor lines	Mild contamination cleanup procedure
Mild Compressor Burnout symptoms Oil appears clean but smells acrid Refrigeration test kit or acid oil test shows harmful acid content No burnout deposits in open compressor lines	Mild contamination cleanup procedure
Severe Compressor Burnout symptoms Oil is discolored, acidic, and smells acrid Burnout deposits found in the compressor, lines, and other components	Severe contamination cleanup procedure

MILD SYSTEM CONTAMINATION CLEANUP PROCEDURE

1. Replace any failed components.
2. If the compressor is good, change the oil.
3. Replace the liquid line drier.

NOTE: If the contamination is from moisture, use heat lamps during evacuation. Position them at the compressor, condenser and evaporator prior to evacuation. Do not position heat lamps too close to plastic components, or they may melt or warp.

4. Follow the normal evacuation procedure, except replace the evacuation step with the following:
 - A. Pull vacuum to 1000 microns. Break the vacuum with dry nitrogen and sweep the system. Pressurize to a minimum of 5 psig.
 - B. Pull vacuum to 500 microns. Break the vacuum with dry nitrogen and sweep the system. Pressurize to a minimum of 5 psig.
 - C. Change the vacuum pump oil.
 - D. Pull vacuum to 500 microns. Run the vacuum pump for 1/2 hour on self-contained models, 1 hour on remotes.

NOTE: You may perform a pressure test as a preliminary leak check. You should use an electronic leak detector after system charging to be sure there are no leaks.

5. Charge the system with the proper refrigerant to the nameplate charge.
6. Operate the ice machine.

SEVERE SYSTEM CONTAMINATION CLEANUP PROCEDURE

1. Remove the refrigerant charge.
2. Remove the compressor.
3. If burnout deposits are found, replace the TXV.
4. Wipe away any burnout deposits from suction and discharge lines at compressor.
5. Sweep through the open system with dry nitrogen.
6. Install a new compressor and new start components.
7. Install suction line filter-drier in front of compressor.
8. Install a new liquid line drier.
9. Follow the normal evacuation procedure, except replace the evacuation step with the following:
 - A. Pull vacuum to 1000 microns. Break the vacuum with dry nitrogen and sweep the system. Pressurize to a minimum of 5 psig.
 - B. Change the vacuum pump oil.
 - C. Pull vacuum to 500 microns. Break the vacuum with dry nitrogen and sweep the system. Pressurize to a minimum of 5 psig.
 - D. Change the vacuum pump oil.
 - E. Pull vacuum to 500 microns. Run the vacuum pump for 1 additional hour.

10. Charge the system with the proper refrigerant to the nameplate charge.
11. Operate the ice machine for one hour. Then, check the pressure drop across the suction line filter-drier.
 - A. If the pressure drop is less than 2 psig, the filter-drier should be adequate for complete cleanup.
 - B. If the pressure drop exceeds 2 psig, change the suction line filter-drier and the liquid line drier. Repeat until the pressure drop is acceptable.
12. Operate the ice machine for 48 – 72 hours. Replace the suction line and liquid line drier if necessary.
13. Follow normal evacuation procedures.

REPLACING PRESSURE CONTROLS WITHOUT REMOVING REFRIGERANT CHARGE

This procedure reduces repair time and cost. Use it when any of the following components require replacement, and the refrigeration system is operational and leak-free.

- Fan cycle control
 - High pressure cut-out control
 - High side access valve
 - Low side access valve
1. Disconnect power to the ice machine.
 2. Follow all manufacturers' instructions supplied with the pinch-off tool. Position the pinch-off tool around the tubing as far from the pressure control as feasible. (See the figure on next page.) Clamp down on the tubing until the pinch-off is complete.

Warning

Do not unsolder a defective component. Cut it out of the system. Do not remove the pinch-off tool until the new component is securely in place.

3. Cut the tubing of the defective component with a small tubing cutter.
4. Solder the replacement component in place. Allow the solder joint to cool.
5. Remove the pinch-off tool.
6. Re-round the tubing.

NOTE: The pressure controls will operate normally once the tubing is re-rounded. Tubing may not re-round 100%.

Total System Refrigerant Charge

Important

This information is for reference only. Refer to the ice machine serial number tag to verify the system charge. Serial plate information overrides information listed on this page.

Model	Air-Cooled	Water-Cooled	Refrigerant Type
UDE0065	5.8 oz (165 g)	NA	R134A
UDE0080	8 oz (227 g)	NA	R134A
U0140	10 oz (283 g)	11 oz (312 g)	R404A
UF0140	6.7 oz (12g)	11 oz (312 g)	R404A
U0190/UF0190	12 oz (340 g)	NA	R404A
U0240	13 oz (369 g)	12 oz (340 g)	R404A
UF0240	13 oz (369 g)	13 oz (369 g)	R404A
U0310 Serial Number 310304977 and Earlier	15 oz (425 g)	14 oz (397 g)	R404A
U0310 Serial Number 310304978 and After	15 oz (425 g)	18 oz (510g)	R404A
UF0310	15 oz (425 g)	18 oz (510g)	R404A

Charts

Cycle Times, 24 Hr. Ice Production and Refrigerant Pressure Charts

These charts are used as guidelines to verify correct ice machine operation.

Accurate collection of data is essential to obtain the correct diagnosis.

- Production and cycle times are for dice cube - Half dice cube cycle times can be 1-2 minutes faster depending on model and ambient temperature.
- Ice production checks that are within 10% of the chart are considered normal. This is due to variances in water and air temperature. Actual temperatures will seldom match the chart exactly.
- Regular cube production derate is 7%.
- Refer to “Operational Analysis Chart” for the list of data that must be collected for refrigeration diagnostics.
- Zero out manifold gauge set before obtaining pressure readings to avoid mis-diagnosis.
- Discharge and suction pressure are highest at the beginning of the cycle. Suction pressure will drop throughout the cycle. Verify the pressures are within the range indicated.
- Record beginning of freeze cycle suction pressure one minute after the water pump energizes.
- 50Hz dice and half dice production derate is 12%.
- 50Hz regular cube production derate is 14%.

UDE0065 SELF-CONTAINED AIR-COOLED

NOTE: These characteristics will vary depending on operating conditions.

Cycle Times

Freeze Time + Harvest Time = Total Cycle Time

Air Temp. Entering Condenser °F/°C	Freeze Time			Harvest Time
	Water Temperature °F/°C			
	50/10	70/21	90/32	
50/10	9.4-12.4	10.7-14.1	11.7-15.5	1.25 - 3.25
70/21	9.6-12.7	11.2-14.8	12.3-16.3	
80/27	10.7-14.1	12.6-16.7	14.0-18.6	
90/32	12.0-15.9	14.0-18.6	15.6-20.9	
100/38	15.2-20.2	16.6-22.2	18.3-24.5	
110/43	20.3-27.3	21.1-28.4	22.0-29.5	

Times in minutes

24 Hour Ice Production

Air Temp. Entering Condenser °F/°C	Water Temperature °F/°C		
	50/10 Lbs/Kg	70/21 Lbs/Kg	90/32 Lbs/Kg
50/10	58/26.3	52/23.5	48/21.7
70/21	57/25.8	50/22.7	46/20.8
80/27	52/23.5	45/20.4	41/18.6
90/32	47/21.3	41/18.6	37/16.8
100/38	38/17.2	35/15.9	32/14.5
110/43	29/13.2	28/12.7	27/12.2

Based on average ice slab weight of .44 – .60 lb (200 - 275 g).

UDE0065 Operating Temperatures

Air Temp. Entering Condenser °F/°C	Freeze Cycle		Harvest Cycle	
	Discharge Line Temp °F/°C	Suction Line Temp °F/°C	Discharge Line Temp °F/°C	Suction Line Temp °F/°C
50°F 10°C	105-120 40-50	52-12 11- -11	130-140 54-60	100-115 38-46
70°F 21°C	125-155 51-68	60- -4 16- -20	145-155 63-68	115-135 46-57
80°F 27°C	130-160 54-71	70-0 21- -18	155-170 68-77	110-145 43-63
90°F 32°C	150-165 66-74	75-5 24- -15	165-175 74-79	125-150 51-66
100°F 38°C	175-185 79-85	85-10 29-12	185-195 85-91	145-165 63-74
110°F 43°C	180-190 82-88	90-12 32- -11	190-200 88-93	145-170 63-77

UDE0080 SELF-CONTAINED AIR-COOLED

NOTE: These characteristics may vary depending on operating conditions.

Cycle Times

Freeze Time + Harvest Time = Total Cycle Time

Air Temp. Entering Condenser °F/°C	Freeze Time			Harvest Time
	Water Temperature °F/°C			
	50/10	70/21	90/32	
70/21	14.2-16.8	17.1-20.2	21.5-25.4	1.0 - 2.5
80/27	16.5-19.5	19.1-26.1	23.9-28.1	
90/32	18.8-22.2	21.5-25.4	27.3-32.1	
110/43	22.2-26.1	25.9-30.5	31.7-37.3	

Times in minutes

24 Hour Ice Production

Air Temp. Entering Condenser °F/°C	Water Temperature °F/°C		
	50/10	70/21	90/32
70/21	110	93	75
80/27	96	84	68
90/32	85	75	60
110/43	73	63	52

Based on average ice slab weight of 1.2 – 1.4 lb (544 - 635 g).

Operating Temperatures

50°F/10°C Water

Air Temp. Entering Condenser °F/°C	Freeze Cycle		Harvest Cycle	
	Discharge Line Temp °F/°C	Suction Line Temp °F/°C	Discharge Line Temp °F/°C	Suction Line Temp °F/°C
	50°F 10°C	150-165 66-74	67-50 19-10	155-190 68-88
70°F 21°C	155-185 68-85	67-50 19-10	160-190 71-88	50-60 10-16
80°F 27°C	170-190 78-88	71-58 22-14	175-190 79-88	52-65 11-18
90°F 32°C	180-205 82-96	75-65 24-18	185-210 85-99	55-75 13-24
100°F 38°C	190-215 88-102	85-70 29-21	195-220 91-104	60-75 16-24

UDE0080 Operating Temperatures

70°F/21°C Water

Air Temp. Entering Condenser °F/°C	Freeze Cycle		Harvest Cycle	
	Discharge Line Temp °F/°C	Suction Line Temp °F/°C	Discharge Line Temp °F/°C	Suction Line Temp °F/°C
50°F 10°C	155-175 68-79	68-58 20-14	160-175 71-79	50-60 10-16
70°F 21°C	160-185 71-85	70-50 21-10	160-190 71-85	50-65 10-18
80°F 27°C	170-200 77-93	75-58 24-14	170-200 77-94	55-70 13-21
90°F 32°C	180-205 82-96	85-65 29-18	185-210 85-99	55-75 13-24
100°F 38°C	190-220 88-104	88-70 31-21	200-220 93-104	60-75 16-24

90°F/32°C Water

Air Temp. Entering Condenser °F/°C	Freeze Cycle		Harvest Cycle	
	Discharge Line Temp °F/°C	Suction Line Temp °F/°C	Discharge Line Temp °F/°C	Suction Line Temp °F/°C
50°F 10°C	155-180 68-82	75-50 24-10	160-185 71-85	52-65 11-18
70°F 21°C	160-185 71-85	75-53 24-12	165-190 74-88	52-65 11-18
80°F 27°C	170-195 77-91	80-58 27-14	175-195 79-91	57-75 14-24
90°F 32°C	190-205 88-96	85-64 29-18	195-215 90-102	55-75 13-24
100°F 38°C	190-215 88-102	91-70 33-21	195-220 91-104	60-80 16-27

U0140/UF0140 SELF-CONTAINED AIR-COOLED

NOTE: These characteristics may vary depending on operating conditions.

Cycle Times

Freeze Time + Harvest Time = Total Cycle Time

Air Temp. Entering Condenser °F/°C	Freeze Time			Harvest Time
	Water Temperature °F/°C			
	50/10	70/21	90/32	
70/21	10.2-11.7	12.4-14.1	13.0-14.8	1.0-2.5
80/27	11.2-12.8	13.0-14.8	14.6-16.5	
90/32	11.8-13.4	14.6-16.5	17.6-19.9	
100/38	14.6-16.5	17.6-19.9	19.9-17.6	
110/43	16.5-18.7	19.9-17.6	20.3-23.0	

Times in minutes

24 Hour Ice Production

Air Temp. Entering Condenser °F/°C	Water Temperature °F/°C		
	50/10	70/21	90/32
70/21	130	110	105
80/27	120	105	95
90/32	115	95	85
100/38	95	85	80
110/43	85	80	70

Based on average ice slab weight of 1.06 – 1.19 lb (481 – 540 g).
Regular cube derate is 7%

Operating Pressures

Air Temp. Entering Condenser °F/°C	Freeze Cycle		Harvest Cycle	
	Discharge Pressure PSIG	Suction Pressure PSIG	Discharge Pressure PSIG	Suction Pressure PSIG
	50/10	200-250	55-18	135-170
70/21	200-250	60-20	140-170	75-120
80/27	220-265	65-22	145-190	75-120
90/32	240-315	70-24	165-200	75-120
100/38	300-380	80-30	200-235	75-120
110/43	310-400	90-32	210-240	75-120

Suction pressure drops gradually throughout the freeze cycle

U0140/UF0140 SELF-CONTAINED WATER-COOLED

NOTE: These characteristics may vary depending on operating conditions.

Cycle Times

Freeze Time + Harvest Time = Total Cycle Time

Air Temp. Around Ice Machine °F/°C	Freeze Time			Harvest Time
	Water Temperature °F/°C			
	50/10	70/21	90/32	
70/21	9.8-11.2	11.2-12.8	13.0-14.8	1.0-2.5
80/27	10.2-11.7	11.8-13.4	13.8-15.6	
90/32	11.8-13.4	13.0-14.8	15.5-17.5	
100/38	13.0-14.8	15.5-17.5	17.6-19.9	
110/43	14.6-16.5	17.6-19.9	20.3-23.0	

Times in minutes

24 Hour Ice Production

Air Temp. Around Ice Machine °F/°C	Water Temperature °F/°C		
	50/10	70/21	90/32
70/21	135	120	105
80/27	130	115	100
90/32	115	105	90
100/38	105	90	80
110/43	95	80	70

Based on average ice slab weight of 1.06 - 1.19 lb (481 – 540 g).
Regular cube derate is 7%
Water regulating valve set to maintain 230 PSIG discharge
pressure - Condenser water usage = 185 gallons per 100 lbs of ice
at 90°F/70°F.

Operating Pressures

Air Temp. Around Ice Machine °F/°C	Freeze Cycle		Harvest Cycle	
	Discharge Pressure PSIG	Suction Pressure PSIG	Discharge Pressure PSIG	Suction Pressure PSIG
50/10	225-235	55-22	135-155	90-115
70/21	225-235	65-24	145-160	100-130
80/27	225-240	65-24	145-165	100-130
90/32	225-245	65-24	145-165	110-130
100/38	225-245	70-25	150-175	115-140
110/43	225-245	70-26	150-180	115-145

Suction pressure drops gradually throughout the freeze cycle

U0190/UF0190 SELF-CONTAINED AIR-COOLED

NOTE: These characteristics may vary depending on operating conditions.

Cycle Times

Freeze Time + Harvest Time = Total Cycle Time

Air Temp. Entering Condenser °F/°C	Freeze Time			Harvest Time
	Water Temperature °F/°C			
	50/10	70/21	90/32	
70/21	16.1-18.3	19.8-22.5	21.2-24.0	1.0-2.5
80/27	19.8-22.5	21.9-24.9	24.5-27.8	
90/32	21.9-24.9	23.6-26.8	29.0-32.9	
100/38	25.5-29.0	29.1-32.9	32.0-36.2	
110/43	29.1-32.9	32.0-36.2	33.6-38.1	

Times in minutes

24 Hour Ice Production

Air Temp. Entering Condenser °F/°C	Water Temperature °F/°C		
	50/10	70/21	90/32
70/21	200	165	155
80/27	165	150	135
90/32	150	140	115
100/38	130	115	105
110/43	115	105	100

Based on average ice slab weight of 2.44 - 2.75 lb (1107 – 1247 g).
Regular cube derate is 7%

Operating Pressures

Air Temp. Entering Condenser °F/°C	Freeze Cycle		Harvest Cycle	
	Discharge Pressure PSIG	Suction Pressure PSIG	Discharge Pressure PSIG	Suction Pressure PSIG
	50/10	200-250	60-38	150-170
70/21	200-260	80-38	150-170	95-130
80/27	240-290	80-39	160-190	100-130
90/32	260-330	80-40	160-190	100-130
100/38	310-380	85-41	180-210	105-135
110/43	315-390	90-41	180-215	110-135

Suction pressure drops gradually throughout the freeze cycle

U0240/UF0240 SELF-CONTAINED AIR-COOLED

NOTE: These characteristics may vary depending on operating conditions.

Cycle Times

Freeze Time + Harvest Time = Total Cycle Time

Air Temp. Entering Condenser °F/°C	Freeze Time			Harvest Time
	Water Temperature °F/°C			
	50/10	70/21	90/32	
70/21	14.1-16.1	17.0-19.3	18.6-21.1	1.0-2.5
80/27	15.2-17.4	18.0-20.5	20.5-23.3	
90/32	16.5-18.8	20.5-23.3	22.7-25.8	
100/38	19.2-21.8	21.9-24.9	23.6-26.8	
110/43	21.9-24.9	23.6-26.8	24.5-27.8	

Times in minutes

24 Hour Ice Production

Air Temp. Entering Condenser °F/°C	Water Temperature °F/°C		
	50/10	70/21	90/32
70/21	225	190	175
80/27	210	180	160
90/32	195	160	145
100/38	170	150	140
110/43	150	140	135

Based on average ice slab weight of 2.44 - 2.75 lb (1107 – 1247 g).
Regular cube derate is 7%

Operating Pressures

Air Temp. Entering Condenser °F/°C	Freeze Cycle		Harvest Cycle	
	Discharge Pressure PSIG	Suction Pressure PSIG	Discharge Pressure PSIG	Suction Pressure PSIG
50/10	220-275	65-32	145-200	85-110
70/21	220-310	75-34	155-210	90-120
80/27	270-330	80-36	175-225	90-140
90/32	290-350	80-38	185-245	90-150
100/38	320-410	85-39	200-260	90-155
110/43	355-430	90-40	220-280	90-160

Suction pressure drops gradually throughout the freeze cycle

U0240/UF0240 SELF-CONTAINED WATER-COOLED

NOTE: These characteristics may vary depending on operating conditions.

Cycle Times

Freeze Time + Harvest Time = Total Cycle Time

Air Temp. Around Ice Machine °F/°C	Freeze Time			Harvest Time
	Water Temperature °F/°C			
	50/10	70/21	90/32	
70/21	16.1-18.3	17.0-19.3	18.0-20.5	1.0-2.5
80/27	16.5-18.8	17.5-19.9	18.6-21.1	
90/32	18.0-20.5	19.2-21.8	20.5-23.3	
100/38	18.6-21.1	19.8-22.5	21.2-24.0	
110/43	19.2-21.8	20.5-23.3	21.9-24.9	

Times in minutes

24 Hour Ice Production

Air Temp. Around Ice Machine °F/°C	Water Temperature °F/°C		
	50/10	70/21	90/32
70/21	200	190	180
80/27	195	185	175
90/32	180	170	160
100/38	175	165	155
110/43	170	160	150

Based on average ice slab weight of 2.44 - 2.75 lb (1107 – 1247 g).
Water regulating valve set to maintain 235 PSIG discharge
pressure - Condenser water usage = 149 gallons per 100 lbs of ice
at 90°F/70°F.

Operating Pressures

Air Temp. Around Ice Machine °F/°C	Freeze Cycle		Harvest Cycle	
	Discharge Pressure PSIG	Suction Pressure PSIG	Discharge Pressure PSIG	Suction Pressure PSIG
50/10	230-240	65-30	130-150	80-110
70/21	230-240	70-32	135-160	90-120
80/27	230-240	70-34	135-160	90-120
90/32	230-240	70-36	135-165	90-120
100/38	230-245	75-35	135-170	90-120
110/43	230-250	80-38	140-175	95-125

Suction pressure drops gradually throughout the freeze cycle

U0310/UF0310 SELF-CONTAINED AIR-COOLED

NOTE: These characteristics may vary depending on operating conditions.

Cycle Times

Freeze Time + Harvest Time = Total Cycle Time

Air Temp. Entering Condenser °F/°C	Freeze Time			Harvest Time
	Water Temperature °F/°C			
	50/10	70/21	90/32	
70/21	10.0-11.5	11.8-13.4	14.1-16.1	1.0-2.5
80/27	10.4-11.9	12.3-14.0	13.5-15.4	
90/32	11.0-12.6	13.5-15.4	15.2-17.4	
100/38	12.3-14.0	15.2-17.4	17.5-19.9	
110/43	15.6-17.8	19.2-21.8	21.2-24.0	

Times in minutes

24 Hour Ice Production

Air Temp. Entering Condenser °F/°C	Water Temperature °F/°C		
	50/10	70/21	90/32
70/21	305	265	225
80/27	295	255	235
90/32	280	235	210
100/38	255	210	185
110/43	205	170	155

Based on average ice slab weight of 2.44 - 2.75 lb (1107 – 1247 g).
Regular cube derate is 7%

Operating Pressures

Air Temp. Entering Condenser °F/°C	Freeze Cycle		Harvest Cycle	
	Discharge Pressure PSIG	Suction Pressure PSIG	Discharge Pressure PSIG	Suction Pressure PSIG
50/10	200-250	45-18	130-150	75-105
70/21	200-250	50-18	135-150	75-105
80/27	200-270	55-20	140-175	75-110
90/32	240-300	60-22	165-185	105-125
100/38	275-350	65-23	175-220	130-150
110/43	400-320	70-25	210-240	135-155

Suction pressure drops gradually throughout the freeze cycle

U0310/UF0310 SELF-CONTAINED WATER-COOLED

NOTE: These characteristics may vary depending on operating conditions.

Cycle Times

Freeze Time + Harvest Time = Total Cycle Time

Air Temp. Around Ice Machine °F/°C	Freeze Time			Harvest Time
	Water Temperature °F/°C			
	50/10	70/21	90/32	
70/21	11.5-13.2	11.3-12.9	12.0-13.7	1.0-2.5
80/27	10.0-11.5	11.5-13.2	12.3-14.0	
90/32	10.2-11.7	12.6-14.3	13.1-15.0	
100/38	10.4-11.9	12.6-14.3	13.5-15.4	
110/43	10.6-12.2	12.8-14.7	13.8-15.7	

Times in minutes

24 Hour Ice Production

Air Temp. Around Ice Machine °F/°C	Water Temperature °F/°C		
	50/10	70/21	90/32
70/21	270	275	260
80/27	305	270	255
90/32	300	250	240
100/38	295	250	235
110/43	290	245	230

Based on average ice slab weight of 2.44 - 2.75 lb (1107 – 1247 g).
Regular cube derate is 7%
Water regulating valve set to maintain 235 PSIG discharge
pressure - Condenser water usage = 149 gallons per 100 lbs of ice
at 90°F/70°F.

Operating Pressures

Air Temp. Around Ice Machine °F/°C	Freeze Cycle		Harvest Cycle	
	Discharge Pressure PSIG	Suction Pressure PSIG	Discharge Pressure PSIG	Suction Pressure PSIG
50/10	230-240	50-24	150-175	75-90
70/21	230-240	50-25	150-175	75-90
80/27	235-240	50-26	155-175	75-95
90/32	235-240	55-27	165-180	80-100
100/38	235-250	60-27	165-180	80-100
110/43	235-255	60-28	165-180	80-100

Suction pressure drops gradually throughout the freeze cycle

Diagrams

Wiring Diagrams

The following pages contain electrical wiring diagrams. Be sure you are referring to the correct diagram for the ice machine you are servicing.

Warning

Always disconnect power before working on electrical circuitry.

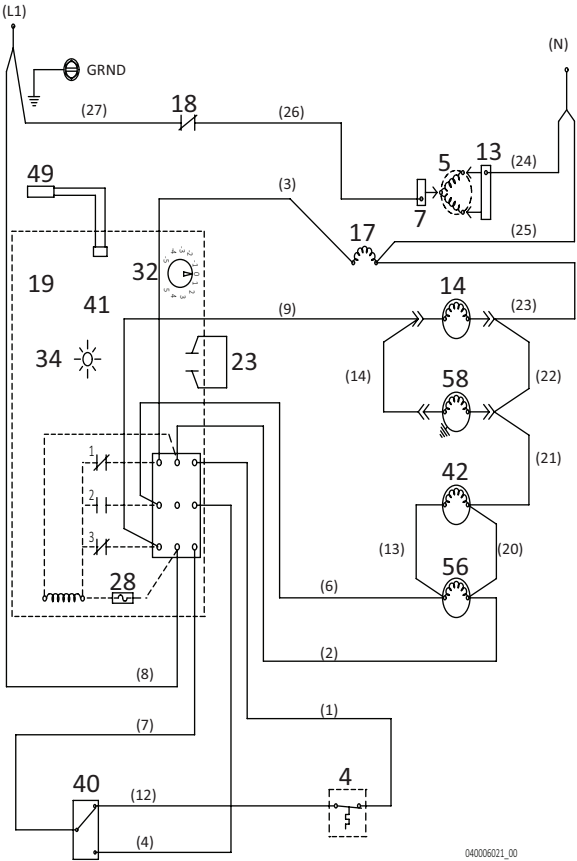
Wiring Diagram Legend

The following symbols are used on all of the wiring diagrams:

- * Internal Compressor Overload
(Some models have external compressor overloads)
- ** Fan Motor Run Capacitor
(Some models do not incorporate fan motor run capacitor)
- () Wire Number Designation
(The number is marked at each end of the wire)
- >>— Multi-pin Connection
(Electrical Box Side) —>>—
(Compressor Compartment Side)

UDE0065 WIRING DIAGRAM

1PH Self Contained Air-cooled

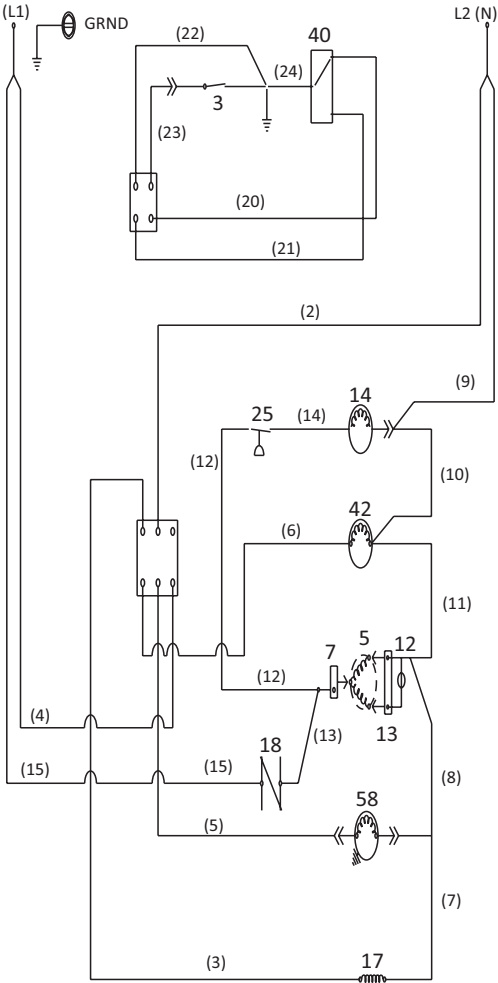


UDE0065 Wiring Diagram

1PH Self Contained Air-cooled

Number	Component
4	Bin Thermostat
5	Compressor
7	Compressor Overload
13	Compressor Start Relay
14	Condenser Fan Motor
17	Contactors Coil
18	Contactors Contacts
19	Control Board
23	Jumper Air cooled or Drain Pump Safety Switch Water-cooled
28	Fuse
32	Ice Thickness Control
34	Light Harvest
40	On/Off/Clean Switch
41	See Control Board Schematic For Detail
42	Solenoid Valve Harvest
49	Thermistor Liquid Line
56	Water Inlet Valve
58	Water Pump
Refer to control board schematic for control board detail	

UDE0080 WIRING DIAGRAM
1PH Self Contained Air-cooled



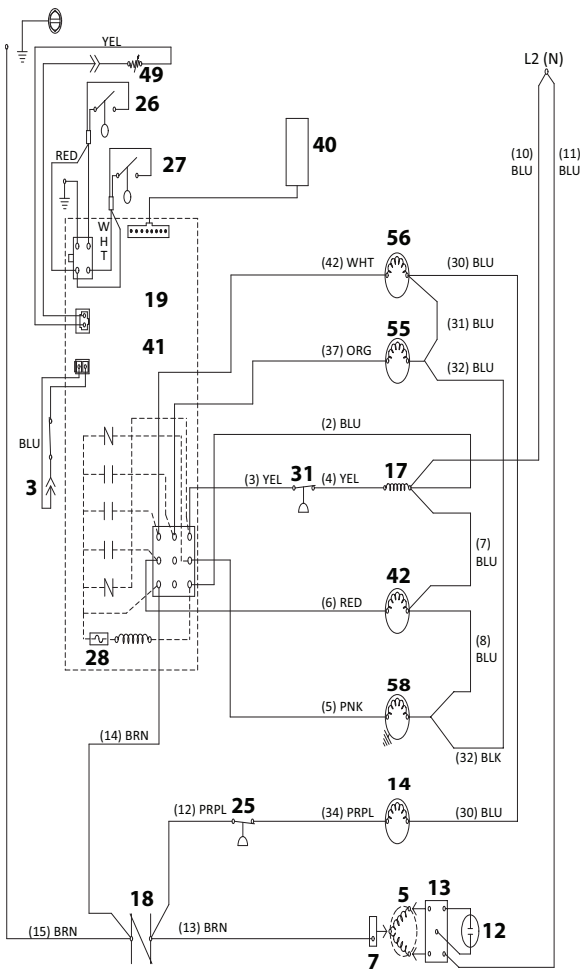
UDE0080 Wiring Diagram

1PH Self Contained Air-cooled

Number	Component
3	Bin Switch
5	Compressor
7	Compressor Overload
12	Compressor Start Capacitor
13	Compressor Start Relay
14	Condenser Fan Motor
17	Contactator Coil
18	Contactator Contacts
25	Fan Cycle Control
33	Ice Thickness Probe
40	On/Off/Clean Switch
42	Solenoid Valve Harvest
58	Water Pump
Refer to control board schematic for control board detail	

U0140/U0190/U0240 WIRING DIAGRAM WITH J4 THERMISTOR TERMINAL - 1PH AIR/WATER

Self Contained Air & Water-cooled



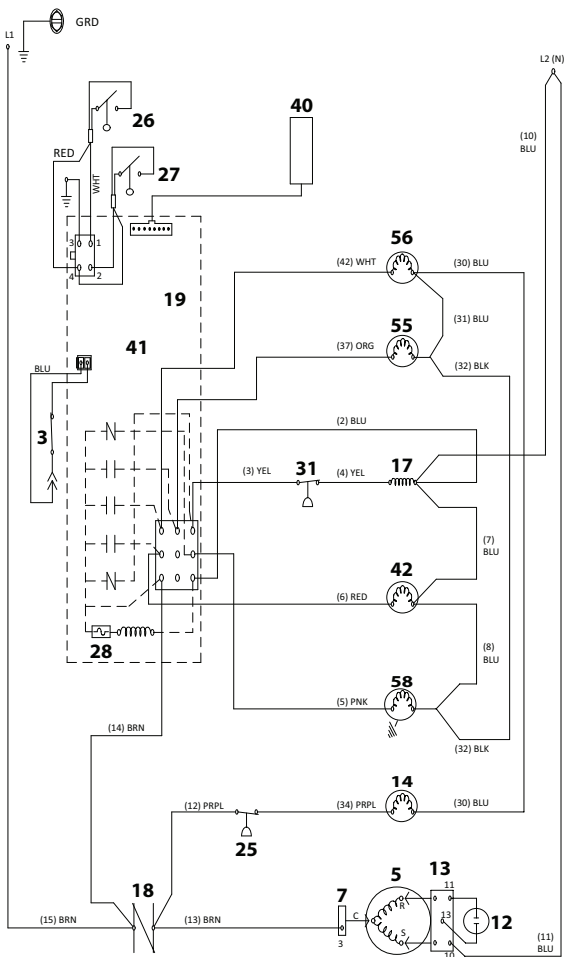
040004017_06

U0140/U0190/U0240 Wiring Diagram
With J4 Thermistor Terminal - 1Ph Air/Water

Number	Component
3	Bin Switch
5	Compressor
7	Compressor Overload
12	Compressor Start Capacitor
13	Compressor Start Relay
14	Condenser Fan Motor
17	Contactora Coil
18	Contactora Contacts
19	Control Board
25	Fan Cycle Control
26	Float Switch - Harvest
27	Float Switch-Water Level
28	Fuse
31	High Pressure Cutout
40	On/Off/Clean Switch
41	See Control Board Schematic For Detail
42	Solenoid Valve
49	Thermistor - J4
55	Water Dump Valve
56	Water Inlet Valve
58	Water Pump
Wire Colors	
BLK	Black
BLU	Blue
BRN	Brown
PNK	Pink
PRPL	Purple
RED	Red
WHT	White
YEL	Yellow
Refer to control board schematic for control board detail	

U0140/U0190/U0240 WIRING DIAGRAM PRIOR TO THERMISTOR TERMINAL - 1PH AIR/WATER

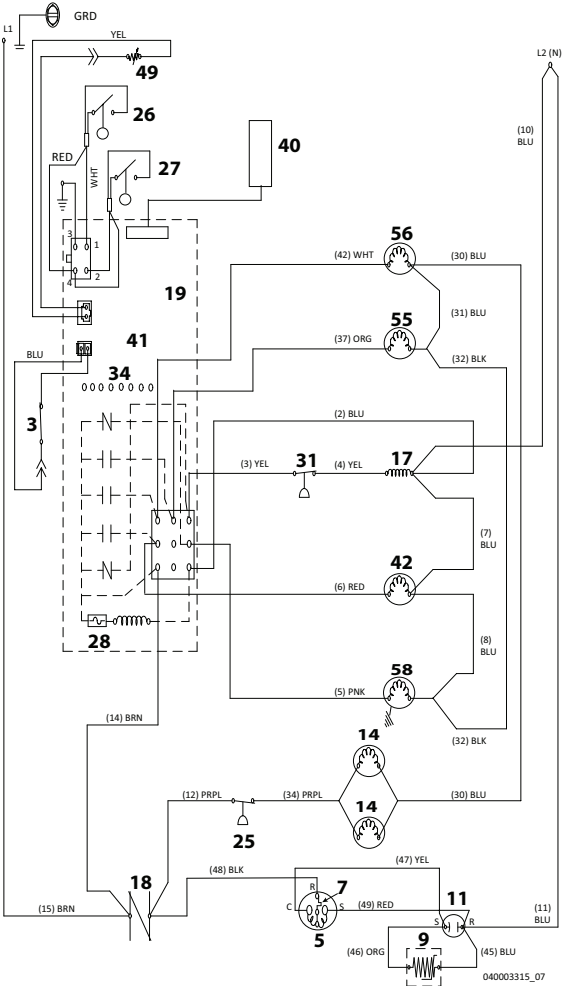
Self Contained Air & Water-cooled



U0140/U0190/U0240 Wiring Diagram
Prior to Thermistor Terminal - 1PH Air/Water

Number	Component
3	Bin Switch
5	Compressor
7	Compressor Overload
12	Compressor Start Capacitor
13	Compressor Start Relay
14	Condenser Fan Motor
17	Contactator Coil
18	Contactator Contacts
19	Control Board
25	Fan Cycle Control
26	Float Switch - Harvest
27	Float Switch-Water Level
28	Fuse
31	High Pressure Cutout
40	On/Off/Clean Switch
41	See Control Board Schematic For Detail
42	Solenoid Valve
55	Water Dump Valve
56	Water Inlet Valve
58	Water Pump
Wire Colors	
BLK	Black
BLU	Blue
BRN	Brown
PNK	Pink
PRPL	Purple
RED	Red
WHT	White
YEL	Yellow
Refer to control board schematic for control board detail	

U0310 WIRING DIAGRAM WITH J4 THERMISTOR TERMINAL - 1PH AIR/WATER Self Contained Air & Water-cooled



U0310 Wiring Diagram

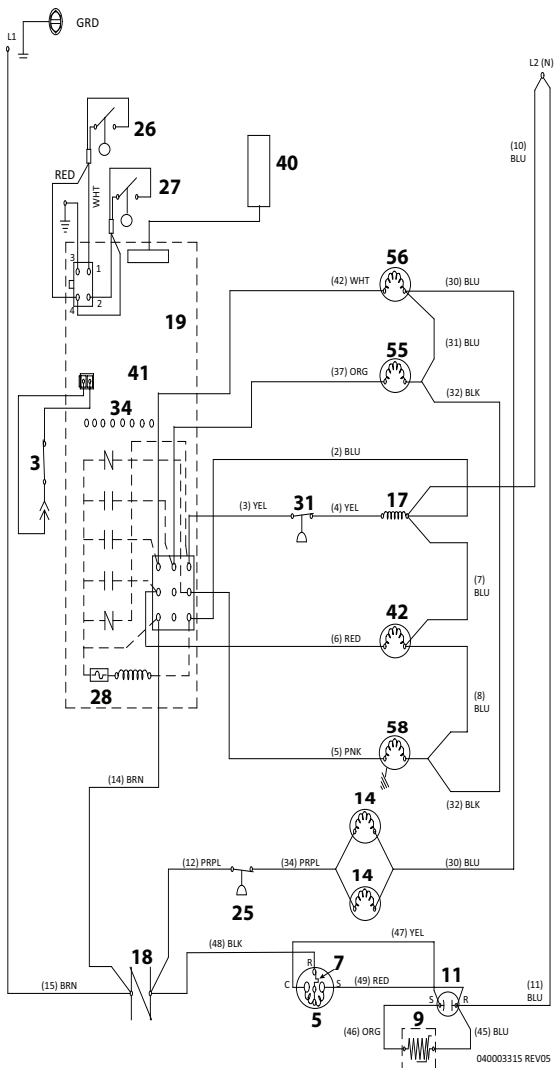
With J4 Thermistor Terminal - 1PH Air/Water

Number	Component
3	Bin Switch
5	Compressor
7	Compressor Overload
9	Compressor PTCR
11	Compressor Run capacitor
12	Compressor Start Capacitor
14	Condenser Fan Motor
17	Contactora Coil
18	Contactora Contacts
19	Control Board
25	Fan Cycle Control
26	Float Switch - Harvest
27	Float Switch - Water Level
28	Fuse
31	High Pressure Cutout
40	On/Off/Clean Switch
41	See Control Board Schematic For Detail
42	Solenoid Valve
49	Thermistor - J4
55	Water Dump Valve
56	Water Inlet Valve
58	Water Pump
Wire Colors	
BLK	Black
BLU	Blue
BRN	Brown
PNK	Pink
PRPL	Purple
RED	Red
WHT	White
YEL	Yellow
Refer to control board schematic for control board detail	

U0310 WIRING DIAGRAM

PRIOR TO THERMISTOR TERMINAL - 1PH AIR/WATER

Self Contained Air & Water-cooled



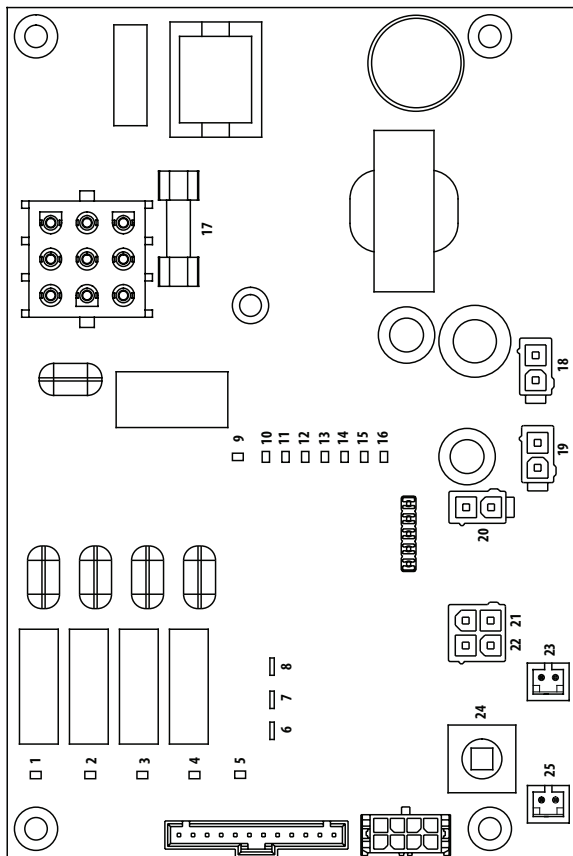
U0310 Wiring Diagram

Prior To Thermistor Terminal - 1PH Air/Water

Number	Component
3	Bin Switch
5	Compressor
7	Compressor Overload
9	Compressor PTCR
11	Compressor Run capacitor
12	Compressor Start Capacitor
14	Condenser Fan Motor
17	Contactora Coil
18	Contactora Contacts
19	Control Board
25	Fan Cycle Control
26	Float Switch - Harvest
27	Float Switch - Water Level
28	Fuse
31	High Pressure Cutout
40	On/Off/Clean Switch
41	See Control Board Schematic For Detail
42	Solenoid Valve
55	Water Dump Valve
56	Water Inlet Valve
58	Water Pump
Wire Colors	
BLK	Black
BLU	Blue
BRN	Brown
PNK	Pink
PRPL	Purple
RED	Red
WHT	White
YEL	Yellow
Refer to control board schematic for control board detail	

Electronic Control Boards

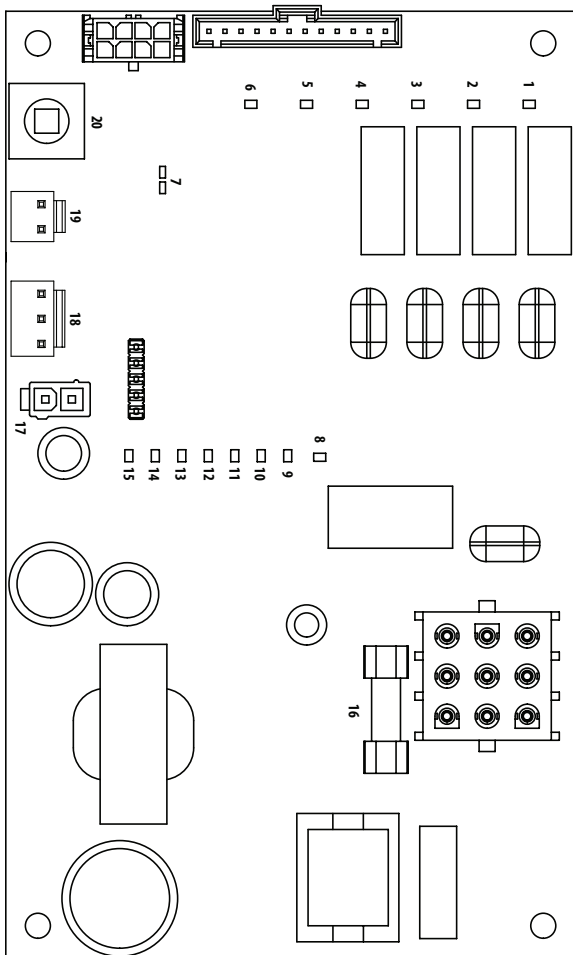
ELECTRONIC CONTROL BOARD UF MODELS



Electronic Control Board UF Models

Number	Component
1	LED Water Pump Relay
2	LED Compressor Relay
3	LED Water Dump Valve Relay
4	LED Harvest Solenoid Valve
5	LED Clean
6	LED Thermistor
7	LED Thermistor
8	LED Thermistor
9	LED Water Fill Valve
10	LED Harvest Float
11	LED Water Level Float
12	LED Bin Switch
13	LED Safety Limit 2
14	LED Safety Limit 1
15	LED Harvest
16	LED Test Mode
17	Fuse
18	Motor Connector 12V - J8
19	EC Fan Motor Connector 12V - J9
20	Bin Switch Connector - J5
21	Float Switch Water Level
22	Float Switch Harvest
23	Thermistor 2 - J10
24	Test Switch
25	Thermistor 1 - J4

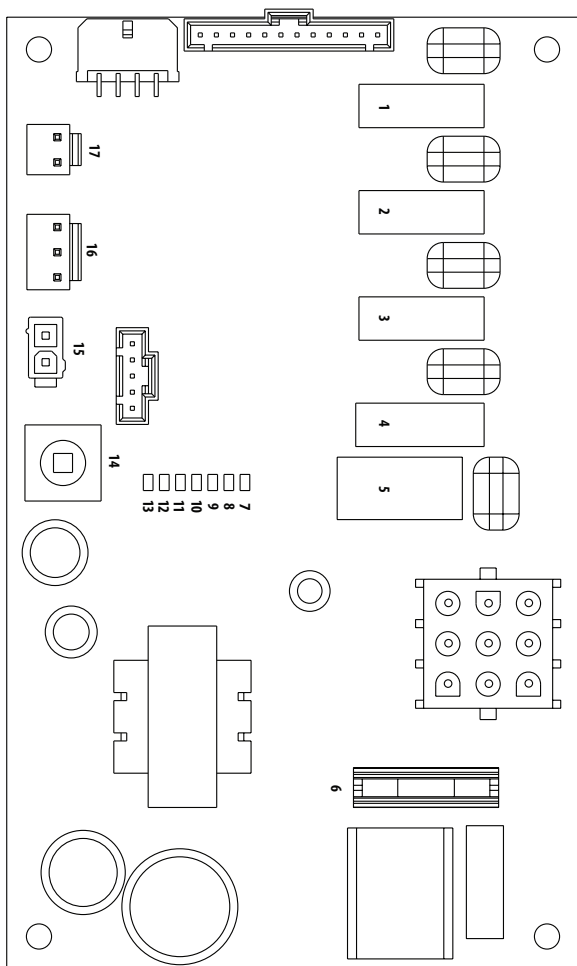
ELECTRONIC CONTROL BOARD U MODELS WITH J4 THERMISTOR TERMINAL



Electronic Control Board U Models With J4 Thermistor Terminal

Number	Component
1	LED Water Pump Relay
2	LED Compressor Relay
3	LED Water Dump Valve Relay
4	LED Harvest Solenoid Valve
5	LED Clean
6	LED Thermistor
7	JP1 Jumper or Thermistor Connector
8	LED Water Fill Valve
9	LED Harvest Float
10	LED Water Level Float
11	LED Bin Switch
12	LED Safety Limit 2
13	LED Safety Limit 1
14	LED Harvest
15	LED Test Mode
16	Fuse
17	Bin Switch Connector - J5
18	Float Switch Water Level
19	Float Switch Harvest
20	Test Switch

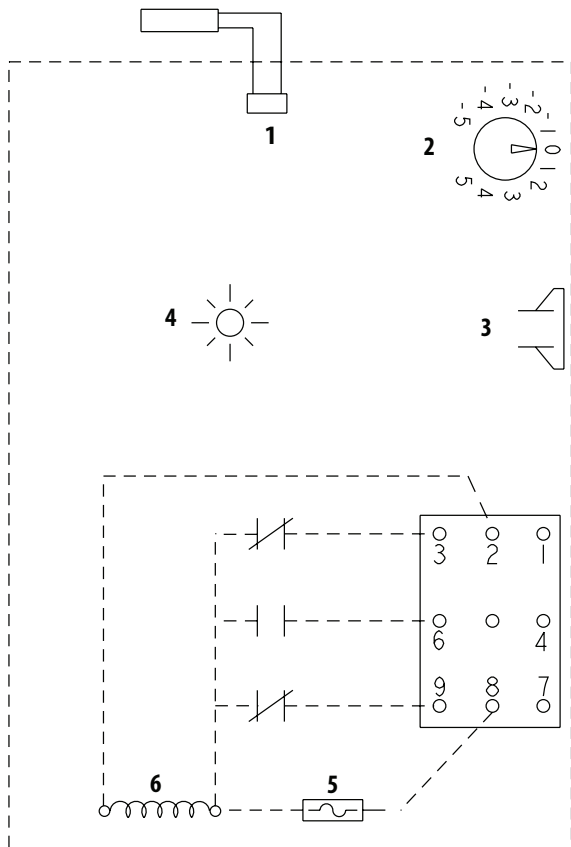
ELECTRONIC CONTROL BOARD U MODELS PRIOR TO THERMISTOR TERMINAL



Electronic Control Board U Models Prior To Thermistor Terminal

Number	Component
1	Water Pump Relay
2	Compressor Relay
3	Water Dump Valve Relay
4	Harvest Solenoid Valve
5	Water Inlet Valve Relay
6	Fuse
7	LED Ice Level Float
8	LED Test Mode
9	LED Curtain Switch
10	LED Safety Limit 2
11	LED Safety Limit 1
12	LED Harvest
13	LED Water Level Float
14	Test Switch
15	Bin Switch Connector J5
16	Float Switch Water Level
17	Float Switch Harvest

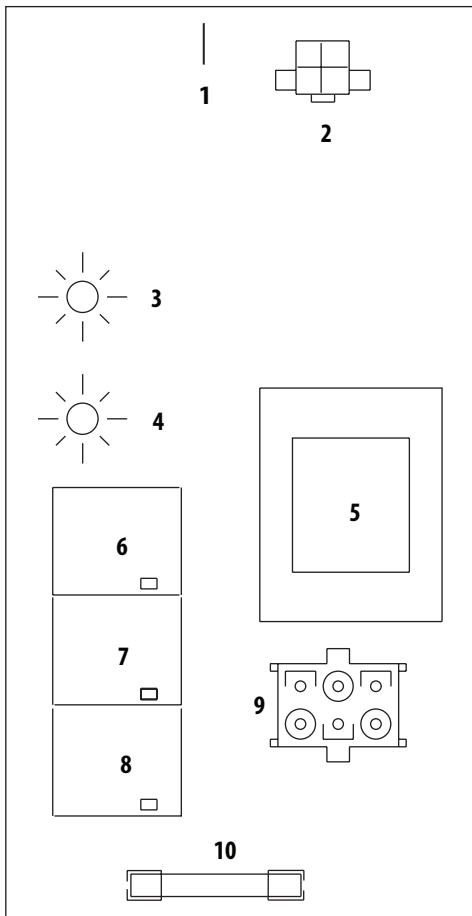
ELECTRONIC CONTROL BOARD UDE0065



Electronic Control Board UDE0065

Number	Component
1	Liquid Line Thermistor
2	Ice Thickness Adjustment
3	Overflow Jumper Wire
4	Harvest Light
5	Fuse
6	Control Board Transformer

ELECTRONIC CONTROL BOARD UDE0080

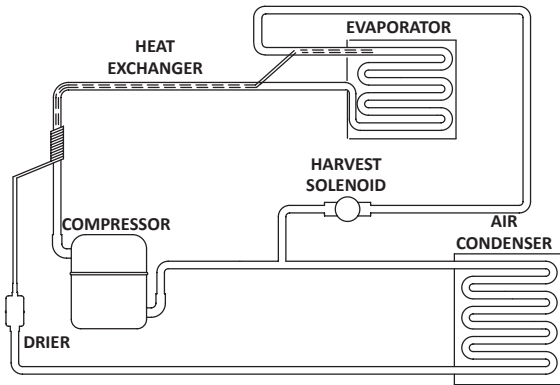


Electronic Control Board UDE0080

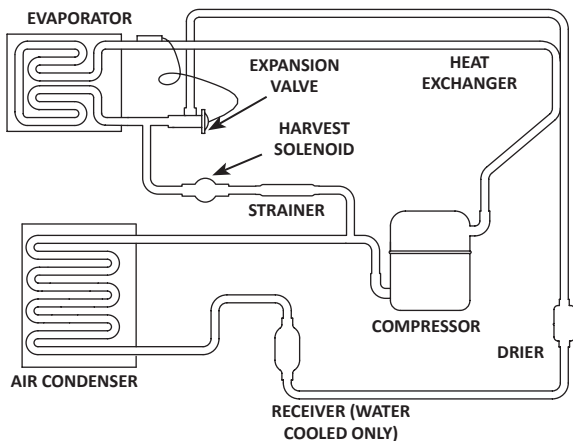
Number	Component
1	Ice Thickness Probe Connection
2	Ice/Off/Clean Toggle Switch Connection
3	Bin Switch Light
4	Harvest Light
5	Control Board Transformer
6	Compressor Relay
7	Harvest Valve Relay
8	Water Pump Relay
9	Line Voltage Connector
10	Fuse

Tubing Schematics

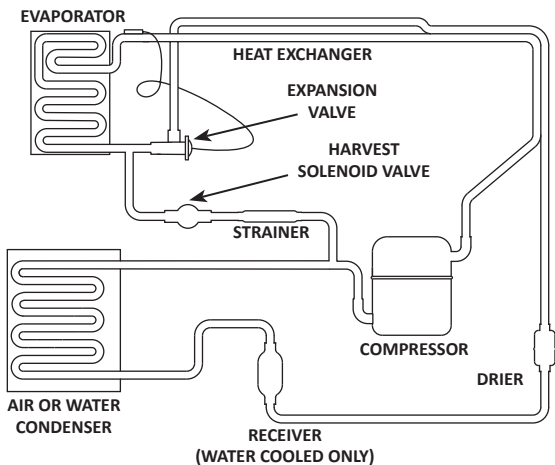
TUBING SCHEMATIC - UDE0065



TUBING SCHEMATIC - UDE0080/U0140/UF0140



TUBING SCHEMATIC - U0190/UF0190/U0240/UF0240/ U0310/UF0310



THIS PAGE INTENTIONALLY LEFT BLANK



MANITOWOC ICE
2110 SOUTH 26TH STREET
MANITOWOC, WI 54220

800-545-5720
WWW.MANITOWOCICE.COM