



F 27 GREEN LINE / INOX

Art. 4706270001 / 4700270001

FREEZER

INSTRUCTION MANUAL

GB

COOL-LINE-Tiefkühl-Lagerschränke

BEDIENUNGSANWEISUNG

DE

DIEPVRIEZER

GEBRUIKSAANWIJZING

NL

SAFETY INSTRUCTIONS

CAREFULLY READ THE INSTRUCTION MANUAL! If instructions are not followed, there is a risk of injury, damage of the appliance and loss of the right to free warranty service. We recommend to keep the Instruction manual the whole time you have the appliance. When you sell the appliance pass the Instruction manual to the new owner of the appliance.

WARNING!

- Do not cover the ventilation holes at the top and on the sides of the appliance.
- Do not use any mechanical means or electrical devices to hasten the thawing process when cleaning the freezer compartment.
- Do not use electrical appliances inside the food storage compartments of the appliance, unless they are of the type recommended by the manufacturer.
- If the supply cord is damaged it must be replaced by the manufacturer, manufacturer service agent or a similarly qualified person, in order to avoid a hazard.
- Disposal of the appliance should be according to national rules.
- Do not damage the appliance refrigeration system. It contains the refrigerant gas R600a. If the refrigeration system is damaged:
 - Do not use any open flame.
 - Avoid sparks — do not turn on any electrical devices or lighting fixtures.
 - Immediately ventilate the room.
- Do not allow children to play with the appliance or to plug it in or unplug from the electricity supply socket. Do not allow children to play with the packaging material from the appliance.
- This appliance can be used by children aged from 8 years and above and persons with reduced physical, sensory or mental capabilities or lack of experience and knowledge if they have been given supervision



or instruction concerning use of the appliance in a safe way and understand the hazards involved.


- Cleaning and user maintenance shall not be made by children without supervision.
- The appliance should be used only for freezing and storing foodstuffs.
- This appliance is not designed for the storage of explosive substances such as aerosol cans with a flammable propellant.
- It is prohibited to store petrol and other flammable liquids near the appliance.

CONNECTION TO THE MAINS

- The appliance must be plugged into an earthed electricity supply socket. The earthed electrical socket by which the appliance is connected to the mains should be in an accessible place.
- IF THE APPLIANCE IS PRODUCED WITH THE SPECIAL SUPPLY CORD IT CAN BE EXCHANGED ONLY BY THE SAME SPECIAL SUPPLY CORD PROVIDED BY THE MANUFACTURER.
- TO AVOID HAZARDS, DAMAGED POWER SUPPLY CORDS SHOULD BE REPLACED ONLY BY THE MANUFACTURER, A MAINTENANCE TECHNICIAN, OR A PERSON WITH AN EQUIVALENT QUALIFICATION.
- DO NOT USE extension cords or connectors (adapters) or couplers.
- The frequency and power of the electricity supply in your house must conform to the general data parameters of the appliance as it is shown in the product label.
- When positioning the appliance be careful that the electrical cord isn't squeezed in order to avoid its damage. Do not store heavy objects such as cooling devices, furniture or other domestic devices next the appliance in such a way that they could squeeze and damage the electrical cord. This can cause a short circuit and a fire.
- Make sure that the plug of the electrical cord is not squeezed by the back wall of the appliance or otherwise damaged. A damaged plug can be the cause of a fire!

• IF THE APPLIANCE IS UNPLUGGED (FOR CLEANING, MOVING TO ANOTHER PLACE, ETC.), IT MAY BE REPEATEDLY SWITCHED ON AFTER **15 MIN.**

- It is forbidden to use a technically damaged appliance.
- Do not place any switched on electrical devices (such as microwave ovens, hair dryers, irons, electric kettles or other electrical devices) on top of the appliance because this may cause ignition of plastic parts.
- Do not place any dishes with liquids on top of the appliance and do not keep flowers in vases or other liquid-filled vessels on the appliance.
- Do not climb on or sit on the appliance, do not lean on or hang on the appliance doors and do not allow children to do this.

 IF THE APPLIANCE IS OUT OF ORDER AND IT IS NOT POSSIBLE TO REPAIR IT BY MEANS OF GIVEN RECOMMENDATIONS, UNPLUG IT, OPEN THE DOORS AND CALL THE SERVICE EXPERT. ONLY A SERVICE REPRESENTATIVE CAN REMEDY ALL TECHNICAL OR CONSTRUCTION FAULTS.

ENVIRONMENTAL PROTECTION INFORMATION



This symbol indicates that once the appliance is no longer needed, it cannot be disposed together with other miscellaneous municipal waste. It should be collected and eliminated separately, i.e. in containers specially marked with this symbol in large-dimension rubbish collection areas. Full information on where to submit the old appliance safety can be obtained from local government authorities, the shop where you bought the appliance or the manufacturer's representatives.

- The appliance can't be disposed of by burning!

If you decided to scrap the appliance, make it impossible to use in order to prevent possible misadventure. Pull out the electric plug from the electricity supply socket and then cut off the cord. Tear off the gasket. Break the door lock if any.

WARNING! Do not dismantle the appliance yourself. Pass it on to recycling companies.

GENERAL INFORMATION

The appliance is a upright freezer. The freezer is intended for freezing and long-term storage of foodstuffs.

THE APPLIANCE IS ECOLOGICALLY CLEAN, CONTAINING NO MATERIALS HARMFUL TO THE OZONE LAYER: the refrigerant used is R600a, the foaming agent used for the appliance insulation is cyclopentane C₅H₁₀.

THE MANUFACTURER GUARANTEES RELIABLE OPERATION OF THE FREEZER WHEN THE RELATIVE AIR HUMIDITY NOT GREATER THAN 70 PER CENT AND THE AMBIENT TEMPERATURE IS:

+16 TO +32 DEGREES CELSIUS (Climate class **N**);

+16 TO +38 DEGREES CELSIUS (Climate class **ST**);

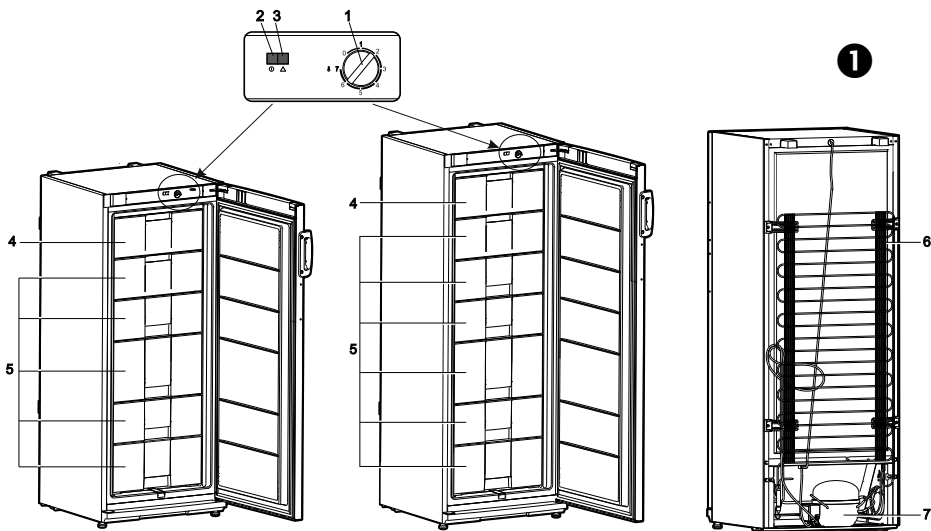
+16 TO +43 DEGREES CELSIUS (Climate class **T**).

Modell	F 22SM F245.1504.1A+ F245.1574.1A+ TK-220 CHR	F 27SM* KBS TK310, KBS TK 310 CHR
Household refrigerating appliance category	8 - Freezer	
Energy efficiency classification	A+	A+
Energy consumption in kWh/year*	235	262
Actual consumption will depend on how the appliance is used and where it is located		
*** Freezer net volume, L	196	234 (*F 27SM – 227)
Frost-free	no	no
Safe storage time in case of malfunction, hrs.	20	20
Freezing capacity, kg/24 h	12	12
Climate classification	N-ST	N - T
Ambient temperature range	16 – 38 °C	16 – 43 °C
Noise emission in dB(A)	41	41
Dimensions (HxWxD), in cm	145 x 60 x 62	163 x 60 x 62
Electrical Data	see in the product label	

MANUFACTURER DATA

The manufacturer reserves the right to make future changes to technical parameters and specifications. Product is subject to changes and improvements.

DESCRIPTION OF THE APPLIANCE, BASIC PARTS (fig. 1)



F 22SM
F245.1504.1A+
F245.1574.1A+
TK-220 CHR

F 27SM
KBS TK310,
KBS TK 310 CHR

- | | |
|--|-------------------------------------|
| 1 Thermostat knob - temperature regulator | 6 Frozen products section(s) |
| 3 Electric supply indicator (green light) | 7 Condenser |
| 4 Temperature rise indicator (red light) | 8 Compressor |
| 5 Fast-freeze section *** | |

REVIEW OF MECHANICAL CONTROL (fig. 1, 2)

CONTROL PANEL — DESCRIPTION OF SYMBOLS AND OPERATIONS

1 – THERMOSTAT KNOB. The temperature in the appliance is controlled using the thermostat knob by turning it to one side or the other. More in "Temperature regulation".

3– ELECTRICITY SUPPLY INDICATOR marked with the symbol 

When the appliance is connected to the electricity supply, the green indicator light is illuminated. Simultaneously also the **the temperature rise indicator lights up**. It indicates that the freezer was switched off for a longer time, i.e. the freezer is switched on for the first time, after defrosting or after losing of voltage. When the temperature in the compartment again falls below $-9\text{ }^{\circ}\text{C}$, the **temperature rise indicator** light will go out.

4 – THE TEMPERATURE RISE INDICATOR marked with the symbol

When the temperature in the freezer rises above -9 °C, the red indicator light is illuminated. It indicates that:

- The freezer was switched off for a longer time, i.e. the freezer is switched on for the first time, after defrosting or after losing of voltage.
- The door of the freezer is opened or is being opened too frequently.
- It is loaded a large amount of unfrozen foodstuffs.
- The freezing system is failed, i.e. the indicator does not go out longer 6 hours and it is heard running compressor or the compressor does not switch off. In this case you should apply to your service agent (at first make sure that three above items were taken into account).

PREPARING THE APPLIANCE FOR OPERATION

It is recommended to prepare the appliance for operation with a helper.

- Remove package. Lift the appliance away from foamed polystyrene base.

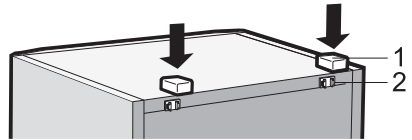


To not rise or push freezer taking by handles. Handles may break.

- Tear away the adhesive tapes – they are intended only for the transport of the appliance. Remove the separate polystyrene part (transport protection) between the rear of the device and condenser – metal grid (if available).

NOTE. When you open the freezer compartment door a little red packing detail will fall out – IT IS FOR TRANSPORTATION PURPOSES ONLY.

- When positioning the appliance in chosen location, it will move more easily into position if you lift the front a little and incline it backward, allowing it to roll on its casters.
- Suitably dispose the packaging material.
- Take two supports **1** from the bag and insert them into the guides **2** at the top back part of the appliance. ▶



If the appliance is brought in from the cold (temperature is not higher than +12 °C), you should wait for two hours before connecting it to the mains.


- The appliance should not be connected to the mains until all packing and transport materials aren't removed.

POSITIONING

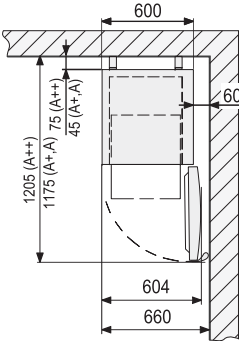
- Place the appliance in a dry, well ventilated room.



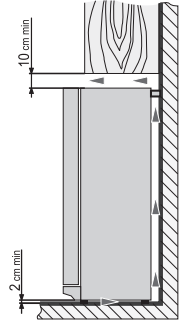
WARNING! The appliance should not be operated in an unheated room or porch. Place the appliance away from heat sources such as kitchen stove/oven, radiators, or direct sunlight.

 **WARNING!** The appliance must not touch any pipes for heating, gas or water supply or any other electrical devices.

- Do not cover the ventilation holes at the top of the appliances—it must be a good air circulation around the appliance. There should be a gap of at least 10 cm between the top of the appliance body and any furniture that may be above it. If this requirement is not followed, the appliance consumes more electrical energy and its compressor may overheat. ►



- ◀ If the appliance is placed in a corner, a gap of at least 6 cm must be left between the appliance body and the wall so that the freezer door can be opened enough to pull out the frozen product drawer (see fig.).



- The appliance must stand on a level surface and must not touch the wall. If necessary, regulate the height of the appliance by adjusting the levelling feet: by turning them

clockwise – the front of the appliance rises, by turning them counter clockwise – it comes down. If the appliance is tilted slightly backward – the doors will close by themselves.

TEMPERATURE REGULATION

Temperature set in the freezer by the manufacturer is -18°C

The temperature in the appliance is controlled using the thermostat knob **1 (fig. 1)** by turning it to one side or the other. The temperature indication in digits is shown beside the thermostat knob.


The temperature is regulated on the scale of seven digits.

0 = Compressor is switched off. **WARNING! Electric current is not switched off.**

1 = highest temperature (lowest cooling)

7 = lowest temperature (highest cooling)

Please set the desired temperature in the appliance according to your own requirements.

 THE TEMPERATURE IN THE FREEZER MAY VARY DEPENDING ON AMBIENT TEMPERATURE, THE AMOUNT OF FOODSTUFFS, THE TEMPERATURE OF THE FOODSTUFFS, AND HOW OFTEN THE APPLIANCE DOOR IS OPENED AND CLOSED.

IF THE ROOM IS COOL, THE APPLIANCE COOLS LESS. THE TEMPERATURE IN THE APPLIANCE MAY THEREFORE RISE. Use the thermostat wheel to set a lower temperature.

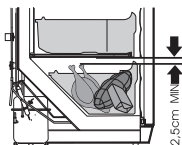
FREEZING OF FOODSTUFFS IN THE FREEZER COMPARTMENT

In the freezer the **fast-freeze section** is marked with the **S*****

Place the fresh foodstuffs to be frozen in one or two rows in the fast-freeze section. When the foodstuffs are frozen should be removed from the fast-freeze section and placed in the storage section drawer(s).

DO NOT EXCEED THE MAXIMUM QUANTITY OF FROZEN PRODUCTS INDICATED IN THE GENERAL DATA TABLE (see 5, 6 pages).

- Leave a gap of not less than 2,5 cm between the foodstuffs being frozen and the upper partition (see fig.). ▶
- Do not place unwrapped foodstuffs in the freezer sections.
- Fresh food for freezing should not touch already frozen foodstuffs.
- Do not freeze foodstuffs that are warmer than the room temperature.
- **Do not freeze liquid foodstuffs in glass vessels or bottles. Do not freeze carbonated beverages.**
- Strictly observe the frozen foodstuffs validity dates indicated by the manufacturer on the their packaging.
- WE RECOMMEND THAT FROZEN FISH AND SAUSAGE SHOULD BE STORED IN THE FREEZER COMPARTMENT NOT LONGER THAN 6 MONTHS; CHEESE, POULTRY, PORK, LAMB – NOT MORE THAN 8 MONTHS; BEEF, FRUIT AND VEGETABLES – NOT LONGER THAN 12 MONTHS.
- appliance door must not be left open,
- the appliance door should not be open longer than it is necessary to take out or put in foodstuffs.

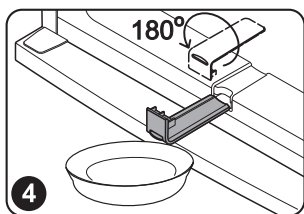


DEFROSTING THE FREEZER COMPARTMENT

The freezer compartment should be thawed not less than twice a year or when a layer of ice thicker than 5 mm forms in it. Do the actions below in the order they are listed:

WARNING! Turn the appliance off and pull the plug out of the electrical socket.

- Remove foodstuffs from freezer compartment. The frozen foodstuffs will not warm up too much while you are thawing the freezer compartment if you cover them with a thick cloth and keep them in a cool place.
 - Pull out the melt water channel, turn it by 180° and hang it (Fig. 4). Place a vessel under the melt water channel.
 - Place a dish under the thaw water channel. Leave door of freezer compartment open.
 - When the ice melts, clean and wipe dry the surfaces and fixtures of the freezer compartment.
 - Remove the melt water channel, turn it by 180° again and put it back in its original place.
- Close the freezer compartment door.
 - Plug in and turn on the appliance.



CLEANING AND CARE

REGULARLY CLEAN THE APPLIANCE.



Remember that before defrosting the freezer compartment and cleaning the back part of the appliance body you must disconnect the appliance from the electrical energy supply socket by pulling the plug out of the electricity outlet.

- Protect the appliance inner surfaces and plastic parts from fats, acids and sauces. In case of accidental spills – immediately clean with warm soapy water or dishwashing detergent. Wipe dry.
- Clean the appliance inner surfaces with warm soapy water. Dishwashing detergent may also be used. Wipe dry inner and outer surfaces.
- Regularly clean the hermetic gaskets of the doors. Wipe dry.
- At least once a year clean dust away from the back part of the appliance body and the compressor. A soft brush, electrostatic cloth or vacuum cleaner may be used for cleaning (see fig.). ►
- DO NOT use detergents containing abrasive particles, acid, alcohol or benzene for cleaning the appliance inner and outer surfaces.
- DO NOT use for cleaning cloths or sponges that have coarse surfaces intended for scrubbing.



PRACTICAL TIPS AND OBSERVATIONS

- Do not consume ice made in the freezer straight away.
- Products will freeze more quickly if they are divided up and packed in small portions.
- IF THE APPLIANCE IS TO BE LEFT SWITCHED OFF FOR AN EXTENDED PERIOD, LEAVE ITS DOORS OPEN.



Remarks on the appliance operating noise. As the appliance operates and goes through the freezing cycle, various noises will be emitted. This is normal and is not a sign of any malfunction.

- As the refrigerant circulates around the refrigeration system, it causes sounds like murmuring, bubbling or rustling.
- Louder sounds like popping or clicking may be heard for a short time as the freezer compressor switches on.

CHANGING THE OPENING DIRECTION OF THE DOORS

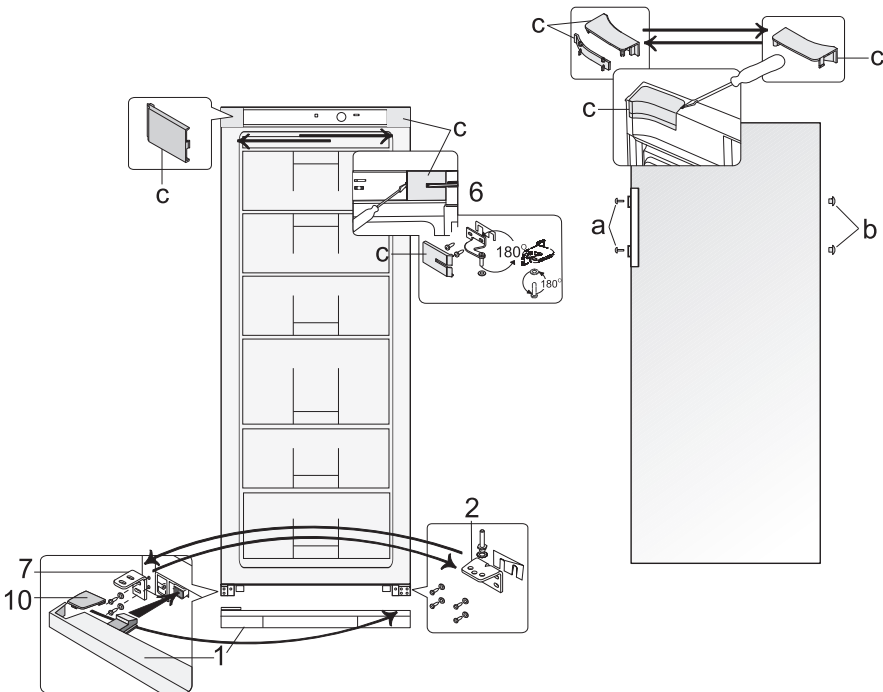
It is recommended that changing the opening direction of the doors should be done with a helper. You will need two spanners No. 8 and No. 10 and a Philips head screwdriver.

! When changing the opening direction of the door YOU CAN NOT lay the freezer horizontally.

Do the actions below in the order they are listed:

WARNING! Turn off the appliance and pull the plug out of the electricity supply socket.

1. Remove the covers **c** from the body of the refrigerator and of the inner side of the door. Also remove the upper bracket **6** together with the nut and washers and the spacer under the bracket.
2. Remove the door of the freezer compartment.
3. Remove the bottom cover **1**.
4. Remove the bottom bracket **2** together with washers on the axle and the plastic spacer. Unscrew the axle together with washers from the bracket and screw them into the aperture on the opposite side of the bracket symmetrically to former position.
5. Remove the bottom bracket **7** and fix the bottom bracket **2** together with washers on the axle and the plastic spacer instead of it. Screw the bracket **7** in place of the bracket **2**.
6. Hang the freezer compartment door on the axle of bracket **7**.
7. Turn the bracket **6** around by 180° together with the washers on the axle and the plastic spacer. Unscrew the axle and the washers and screw them on the other side



of the bracket. Once the bracket **6** is attached to the freezer compartment door, fix it in place on the other side of the freezer in the uppermost apertures.

8. Use the covers **c** to cover the bracket and the remaining space.
9. Remove the bolt covers **a** and the stoppers **b**. Remove the screws that hold the handles in place. Move the handles to the other side and screw them in place. Place the stoppers into the remaining apertures in the door, and put the screw caps in place.

10. Remove the cover **10** from the bottom cover **1** and insert it to the guides on the other side of the bottom cover (symmetrically to former position). Insert left and right legs of the bottom cover **1** (see pic.) and push it until cover fixing.

OPERATION PROBLEMS AND THEIR SOLUTIONS (TROUBLESHOOTING)

What if ...

- **The appliance is plugged in to the mains but it does not work and the electricity supply voltage indicator is not illuminated.** Check that your house electricity supply installations are in order. Check that the plug is correctly inserted into the electricity supply socket.
- **The noise has become louder.** Check that the appliance is standing stable on a level place. To make it level, regulate the front feet. Check if the appliance is not touching any furniture and that no part of the refrigeration system at the back part of the appliance body is touching the wall. Pull the appliance away from any furniture or walls. Check that the cause of increased noise isn't due to bottles, cans or dishes in the appliance that might be touching each other.
- **When the appliance door is opened, the rubber sealing gasket pulls out.** The gasket is smeared with sticky foodstuffs (fat, syrup). Clean the sealing gasket and the groove for it with warm water containing soap or dishwashing detergent and wipe dry. Put the rubber sealing gasket back into the place.
- **The temperature rise indicator light is illuminated red.** This means the appliance is being connected to the electricity supply for the first time or it was disconnected for a significant period (for thawing or during an interruption to the electricity supply), the freezer door is not closed or is being frequently opened and closed, or a large amount of fresh food has been put in, and therefore the temperature in the compartment has risen above $-9\text{ }^{\circ}\text{C}$. When the temperature in the compartment again falls below $-9\text{ }^{\circ}\text{C}$, the indicator light will go out.
ATTENTION! If the temperature indicator light does not go out (for reasons other than those listed above) for longer than six hours, the compressor is either working constantly or is not functioning. You need to consult service people.
- **High temperature in appliance, the compressor operation pauses are short.** Ascertain whether the appliance door are shutting tightly, whether the door wasn't kept open longer than necessary when taking out or putting in foodstuffs or whether a large amount of warm food was placed in the appliance.
- **The top of the appliance has condensation on it.** The ambient relative air humidity is above 70 %. Ventilate the room where the appliance stands and if possible remove the cause of the humidity.

TRANSPORT



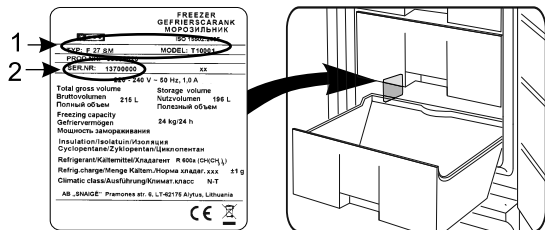
THE MANUFACTURER WILL NOT BE RESPONSIBLE FOR ANY DAMAGE OF THE APPLIANCE THAT RESULTS FROM NON-COMPLIANCE WITH THE INSTRUCTIONS FOR TRANSPORTATION.

- The appliance should be transported in the vertical position.
- When being transported, the appliance should be protected from atmospheric conditions (rain, snow, dampness).
- The appliance should be firmly secured in place while being transported, to avoid slippage or any shocks in the transport vehicle.

If the appliance was transported not vertically, it may be connected to the mains after 4 hours at least. If this is not done, the appliance compressor may fail.

WARRANTY SERVICE

IF YOUR APPLIANCE IS NOT WORKING PROPERLY, ASCERTAIN WHETHER YOU CAN REMEDY THE CAUSE OF THE FAULTY FUNCTIONING OF THE APPLIANCE YOURSELF. If you cannot solve the problem yourself, contact the nearest refrigerator service representative by telephone or in writing. When making contact necessarily indicate the refrigerator model **1** and number **2**. You will find this data on the product label, which is glued to the wall of the freezer compartment.



SICHERHEITSHINWEISE

LESEN SIE BITTE DIE GEBRAUCHSANWEISUNG SORGFÄLTIG DURCH

! Bei Nichtbeachtung der in der Gebrauchsanweisung genannten Anweisungen besteht die Gefahr der Beschädigung des Geräts und des damit verbundenen Verlusts des Rechts auf Garantieleistungen. Wir empfehlen ihnen, die Gebrauchsanweisung bis zum Ende der Betriebszeit aufzubewahren und sie im Falle eines Verkaufs des Geräts an den neuen Eigentümer weiterzugeben.

! ACHTUNG!

- Halten Sie die Lüftungsöffnungen im Gerätegehäuse oder in möglichen Seitenwänden von umgebenden Einbauwänden frei von Hindernissen.
- Benutzen Sie keine mechanischen Gegenstände oder andere Mittel, um den Abtauprozess zu beschleunigen, ausser den vom Hersteller empfohlenen.
- Das Kühlsystem des Geräts nicht beschädigen. Verwendetes Kühlmittel R600a. Falls das Kühlsystem beschädigt ist:



- Kein offenes Feuer verwenden.
- Funkenschlag vermeiden, keine elektrischen sowie Beleuchtungsgeräte einschalten.
- Den Raum sofort durchlüften.
- Kinder nicht mit dem Kühlschrank spielen oder ihn ans Netz anschließen oder den Stecker ziehen lassen. Kinder nicht mit der Verpackung spielen lassen.
- Das Gerät kann von Kindern ab 8 Jahren sowie von Personen mit reduzierter physischen, sensorischen oder mentalen Fähigkeiten oder Mangel an Erfahrung und/oder Wissen benutzt werden, wenn sie beaufsichtigt oder bezüglich des sicheren Gebrauchs des Gerätes unterwiesen wurden und die daraus resultierenden Gefahren verstanden haben.
- Reinigung und Benutzer-Wartung dürfen nicht durch Kinder ohne Beaufsichtigung durchgeführt werden.

- Das Kühlgerät nur zur Kühlung und Aufbewahrung von Esswaren verwenden.
- In diesem Gerät keine explosionsfähigen Stoffe, wie zum Beispiel Aerosolbehälter mit brennbarem Treibgas, lagern.

! NETZANSCHLUSS

- Das Kühlgerät unbedingt an eine geerdete Steckdose anschließen. Die geerdete Steckdose für den Netzanschluss des Geräts sollte sich an gut zugänglicher Stelle befinden.
- VOR DEM AUFSTELLEN EIN DEFEKTES KABEL UNBEDINGT DURCH EIN NEUES VOM SELBEN TYP WIE DAS VOM HERSTELLER DES KÜHLGERÄTS VERWENDETE ERSETZEN, UM SCHADEN AN GESUNDHEIT UND EIGENTUM ZU VERMEIDEN.
- UM JEGLICHES RISIKO AUSZUSCHLIESSEN, DARF EIN SCHADHAFTES NETZKABEL NUR VOM HERSTELLER, DESSEN WARTUNGSMEISTER ODER EINER ENTSPRECHEND AUSGEBILDETEN PERSON AUSGEWECHSELT WERDEN.
- Das Verwenden von Verlängerungskabeln, Adaptern oder Mehrfachsteckdosen ist NICHT ZULÄSSIG.
- Netzspannung und -frequenz müssen mit den in Angaben in der Tabelle über die allgemeinen Eigenschaften des Kühlschranks übereinstimmen.
- Beachten Sie bitte beim Aufstellen des Kühlgeräts, dass dieser das Netzkabel nicht beschädigt. Nichts Schweres wie Kühlgeräte, Möbel oder andere Haushaltgeräte auf das Stromkabel stellen, um dieses nicht zu beschädigen. Andernfalls könnte dies zu einem Kurzschluss und zu einem Brand führen.
- Achten Sie darauf, dass die Rückwand des Kühlgeräts den Netzstecker nicht berührt oder letzterer in irgendeiner Weise beschädigt ist. Ein defekter Netzstecker kann zu einem Brand führen!
- NACH DEM AUSSCHALTEN DES GERÄTS (ZUR REINIGUNG, ZUM AUFSTELLEN AN EINEM ANDEREN PLATZ USW.) DIESES ERST NACH MINDESTENS **15** MINUTEN WIEDER ANS NETZ ANSCHLIEßEN.

- Die Benutzung eines technisch nicht einwandfreien Geräts ist zu unterlassen.
- Vor der Reinigung das Gerät ausschalten und den Netzstecker aus der Steckdose ziehen.
- Schützen Sie die Innenwände und alle Kunststoffteile des Kühlgeräts vor Kontakt mit Fett, Säuren und Soßen.
- Bitte keine elektrischen Geräte wie Mikrowellengeräte, Haartrockner, Bügeleisen, Wasserkocher und ähnliche auf den Kühlschrank stellen: Kunststoffteile könnten sich entzünden.



NUR DER SERVICE-FACHMANN IST IMSTANDE, TECHNISCHE MÄNGEL ZU BEHEBEN.

ENTSORGUNG



Geräte, die mit diesem Symbol gekennzeichnet sind, müssen getrennt vom Hausmüll entsorgt werden. Diese Geräte enthalten wertvolle Rohstoffe, die wiederverwertet werden können. Eine ordnungsgemäße Entsorgung schützt die Umwelt und die Gesundheit Ihrer Mitmenschen. Ihre Gemeindeverwaltung bzw. Ihr Fachhändler gibt Auskunft über die ordnungsgemäße Entsorgung. Das Kältemittel und das Treibmittel in der Isolation muss fachgerecht entsorgt werden. Beachten Sie, dass die Rohre des Kühlkreislaufes bis zur fachgerechten Entsorgung nicht beschädigt werden dürfen. Vor der Entsorgung des Geräts machen Sie dieses bitte unbrauchbar, damit mögliche Unfälle verhindert werden können. Ziehen Sie den Netzstecker aus der Steckdose, zerschneiden sie das Kabel. Reißen Sie dann den Dichtungsgummi vom Kühlgerät. Falls vorhanden, machen Sie das Türschloss unbrauchbar.

ACHTUNG! Zerlegen Sie das Kühlgerät auf keinen Fall selbst. Bringen Sie es zu einem Abfallentsorgungsunternehmen.

ALLGEMEINE DATEN

Bei Ihrem Kühlgerät handelt es sich um einen Gefrierschrank (Standmodell). Das Gefrierfach dient zum Einfrieren und längeren Aufbewahren von Esswaren und zur Herstellung von Speiseeis.

DER KÜHLGERÄT IST UMWELTFREUNDLICH, ER BEINHALTET KEINE DIE OZONSCHICHT SCHÄDIGENDEN MATERIALIEN: als Kühlmittel wird R 600a verwendet, die Isolierung Ihres Geräts besteht aus Zyklopentan C_5H_{10} .

DER HERSTELLER GARANTIERT EINE ZUVERLÄSSIGE FUNKTION DES KÜHLSCHRANKS EINER VERHÄLTNISSMÄSSIGEN LUFTFEUCHTIGKEIT VON BIS ZU 70 PROZENT UND BEI EINER UMGEBUNGSTEMPERATUR:

VON +16 BIS +32 GRAD CELSIUS. Der Kühlschrank gehört der Klimaklasse **N** an.

VON +16 BIS +38 GRAD CELSIUS. Der Kühlschrank gehört der Klimaklasse **ST** an.

VON +16 BIS +43 GRAD CELSIUS. Der Kühlschrank gehört der Klimaklasse **T** an.

Produktdatenblatt

Gemäß Verordnung (EU) Nr. 1060/2010 Anhang III

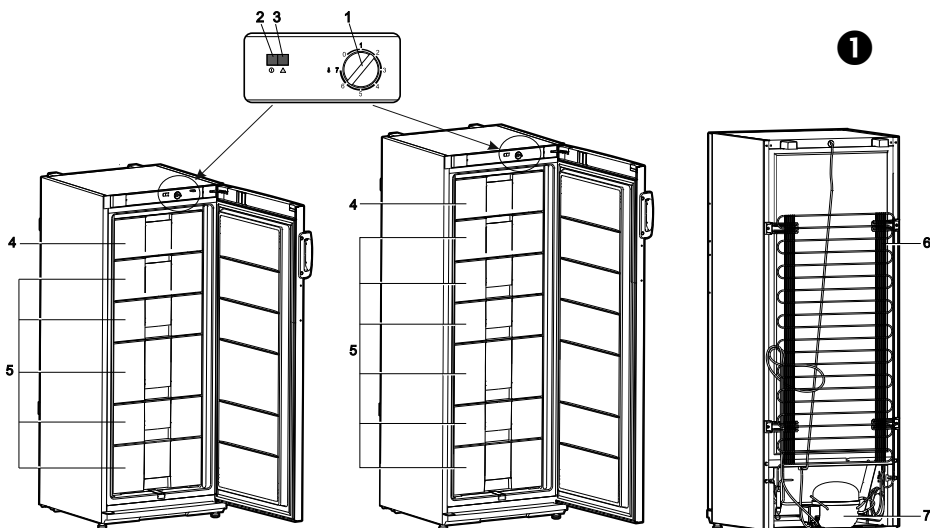
Modell	F 22SM F245.1504.1A+ F245.1574.1A+ TK-220 CHR	F 27SM* KBS TK310, KBS TK 310 CHR
Gerätekategorie	8 - Gefriergerät	
Energieeffizienzklasse	A+	A+
Energieverbrauch , kWh/ Jahr	235	262
Der tatsächliche Verbrauch hängt von der Nutzung und vom Standort des Geräts ab		
**** Nutzinhalt Gefrieren , L	196	234 (*F 27SM – 227)
Frostfrei: Gefrierteil	no	no
Lagerzeit bei Störung, h	20	20
Gefriervermögen, kg / 24 h	12	12
Klimaklasse	N-ST	N - T
Umgebungstemperatur in °C	16 – 38 °C	16 – 43 °C
Betriebsgeräusch, dB(A) re1pW	41	41
Abmessungen H x B x T in cm	145 x 60 x 62	163 x 60 x 62
Elektrische Daten:	siehe Typenschild	

- 2) A+++ (die höchste Energieeffizienz) bis D (Mindestenergieeffizienz)
Jährlicher Energieverbrauch (A,E C) kWh pro Jahr, Bewertung von Ergebnissen
- 3) der Normprüfung innerhalb von 24 Stunden
Jährlicher Energieverbrauch hängt davon ab, wie das Gerät verwendet wird und wo es sich befindet..

- 4) Lebensmittel Gefrierteil (4 Sterne Fach) mit einer Nenntemperatur von - 18 ° C
Klimaklasse: Dieses Gerät ist für den Einsatz bei Umgebungstemperaturen
- 5) zwischen der niedrigsten und höchsten Temperaturen bestimmt:
SN = 10°C-32°C, N = 16°C-32°C, ST = 16°C-38°C, T = 16°C-43°C

ANMERKUNG. Der Hersteller behält sich das Recht vor, die in der Gebrauchsanweisung genannten technischen Eigenschaften des Geräts sowie dessen Ausstattung zu ändern

BESCHREIBUNG DES GERÄTS, HAUPTBESTANDTEILE (Abb. 1)



F 22SM
F245.1504.1A+
F245.1574.1A+
TK-220 CHR

F 27SM
KBS TK310,
KBS TK 310 CHR

- | | |
|---|--|
| 1 Temperaturregler | 6 Abteil(e) für eingefrorene Produkte |
| 3 Stromanzeige (grün) | 7 Kondensator |
| 4 Anzeige für steigende Temperatur (rot) | 8 Kompressor |
| 5 Schnellgefrierabteil | |

ÜBERSICHT ÜBER DIE MECHANISCHE BEDIENUNG (Abb. 1)

Beschreibung der Symbole auf dem Schaltpult

1 - TEMPERATURDREHREGLER.

Die Temperaturregelung ist ausgeschaltet, wenn die Temperaturregelanzeige auf **0** steht. Durch Drehung des Reglers im Uhrzeigersinn wird die Temperatur niedriger gestellt.

3 - STROMANZEIGE, mit Symbol

Nach dem Netzanschluss des Geräts leuchtet die Anzeige grün.

4 - ANZEIGE FÜR STEIGENDE TEMPERATUR, mit Symbol

Bei Anstieg der Temperatur auf über -9 °C leuchtet die Anzeige rot. Bei Anschluss des Gefrierschranks ans Netz leuchtet auch die rote Lampe. Sie signalisiert:

- Gefrierschrank blieb eine längere Zeit ausgeschaltet, d.h. es wird zum ersten mal eingeschaltet; nach dem Auftauen oder nach dem Stromausfall.
- Die Tür des Gefrierschranks ist nicht geschlossen oder wird oft geöffnet.
- Es ist zu grosse Menge der zum Gefrieren vorbereiteten Produkten eingelegt.
- Das Kühlsystem ist kaputt (länger als 6 Stunden erlöscht die Lampe nicht und die Arbeit des Kompressors ist zu hören oder er schaltet sich nicht aus, und es gibt keine oben erwähnte Gründe - sich zum Servicedienst wenden).

VORBEREITUNG DES GERÄTS

Wir empfehlen, für die Vorbereitungsarbeiten eine weitere Person heranzuziehen.

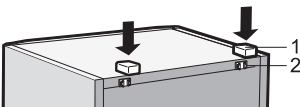
- Die Verpackung entfernen.
- Den Kühlgerät von der Schaumstoffunterlage nehmen.
- Klebebänder entfernen. Entnehmen Sie das separate Styroporteil (Transportschutz) zwischen Geräterückwand und Kondensator -Metallgitter (falls vorhanden).



Ist Ihr Gefrierschrank mit angeschraubten Handgriffen ausgestattet, so beim Anheben und Verschieben des Kühlschranks bitte nicht auf Handgriffe zu nehmen, um ihren Abbruch zu vermeiden.

- Neigen Sie beim Aufstellen den Vorderteil des Kühlgeräts ein wenig nach hinten, dann können Sie ihn auf den Rädchen leicht an den gewünschten Platz rollen.
- Entfernen Sie die roten Klebestreifen, diese sind nur während des Transports erforderlich.

ANMERKUNG. Beim Öffnen der Gefrierschranktür fällt ein rotes Kleinteil heraus – DIESES WIRD NUR FÜR DEN TRANSPORT BENÖTIGT.



- Entsorgen Sie die Verpackungen fachgerecht.
- Nehmen Sie die zwei Streben **1** und setzen Sie sie in die Führungen **2** im oberen Teil der Rückwand ein.
- Falls der Kühlschrank sich in kühler Umgebung befunden hat (Außentemperatur weniger als +12), diesen erst nach Ablauf von zwei Stunden ans Netz anschließen.

- Das Gerät nicht ans Netz anschließen ohne vorher alle Verpackungs- und Transportelemente entfernt zu haben.

AUFSTELLUNG

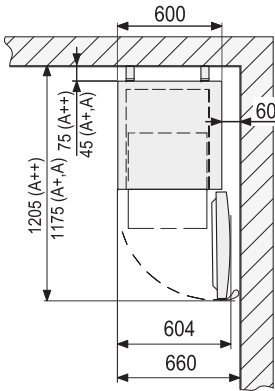
Stellen Sie den Kühlgerät in einem trockenen, gut gelüfteten Raum auf.



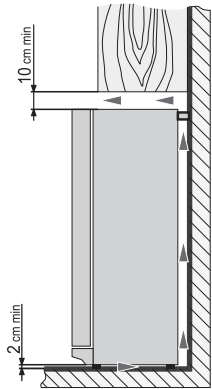
ACHTUNG! Der Kühlgerät darf nicht in ungeheizten Räumen oder auf dem Balkon betrieben werden. Das Gerät nicht in unmittelbarer Nähe einer Heizquelle (Kochherd, Heizkörper, direkte Sonneneinstrahlung) aufstellen.



ACHTUNG! Der Kühlgerät darf nicht in Kontakt mit Heizungs- Gas- und Abwasserrohre geraten sowie elektrische Geräte nicht berühren.



- Die Lüftungsöffnung an der Oberseite des Kühlgeräts darf nicht abgedeckt werden, eine ungehinderte Luftzirkulation muss gewährleistet sein. Der Zwischenraum zwischen der Oberseite des Kühlschranks und einem darüber befindlichen Möbel sollte mindestens 10 cm betragen. Andernfalls steigt der Stromverbrauch des Kühlgeräts an oder der Kompressor kann sich überhitzen. ►



- ◀ Falls der Kühlgerät in einer Ecke aufgestellt werden soll, belassen Sie einen seitlichen Abstand von mindestens 6 cm,

damit Sie die Kühlgeräturn genügend weit öffnen können, um die Schubladen aus dem Gefrierfach herausziehen zu können.

- Der Kühlgerät ist unbedingt auf einer ebenen Oberfläche aufzustellen, er darf nicht an die Wand angelehnt werden. Regulieren Sie, falls nötig, die Höhe durch Drehen der Stützfüße : durch Drehen im Uhrzeigersinn hebt sich der Vorderteil des Geräts, durch Drehen im Gegenuhrzeigersinn senkt er sich.

TEMPERATURREGULIERUNG

Die Temperatur in der Gefrierkammer ist auf -18 °C voreingestellt. Sie können die Temperatur nach Ihren eigenen Bedürfnissen einstellen.

Die Temperatur im Gefrierfach des Geräts wird durch Drehen des Temperaturreglers eingestellt **1** (Abb. 1). Die Zahlen auf dem Temperaturregler zeigen die Temperatur an.

Die Temperatur kann auf einer siebenteiligen Skala reguliert werden:

0 = der Kompressor wird abgeschaltet

ACHTUNG! Das Gerät ist noch am Stromnetz angeschlossen.

1 = höchste Temperatur (geringste Kühlung)

7 = niedrigste Temperatur (stärkste Kühlung)

☞ DIE TEMPERATUR IM GEFRIERFACH KANN ABHÄNGIG VON UMGEBUNGSTEMPERATUR, MENGE UND TEMPERATUR DER NAHRUNGSMITTEL, HÄUFIGKEIT DER TÜRÖFFNUNG SCHWANKEN.

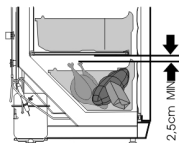
BEI NIEDRIGER RAUMTEMPERATUR KÜHLT DER GEFRIERSCHRANK WENIGER STARK, DESHALB KANN DIE TEMPERATUR IM GEFRIERSCHRANK ANSTIEGEN. Stellen Sie in diesem Fall die Temperatur mithilfe des Temperaturreglers niedriger.

AUFBEWAHRUNG VON NAHRUNGSMITTELN IM GEFRIERFACH

Das Schnellgefrierabteil im Gefrierfach ist mit dem Symbol ******* bezeichnet

Legen Sie die zum Einfrieren bestimmten Lebensmittel in einer oder zwei Reihen ins Schnellgefrierabteil. Nehmen Sie die Esswaren aus dem Schnellgefrierabteil und legen Sie sie in die Schubladen des Aufbewahrungsabteils (Abb. 1).

- ÜBERSTEIGEN SIE DIE MAXIMALE EINFRIERMENGE NICHT - **12 KG** IN 24 STUNDEN.
- Halten Sie einen Zwischenraum von mindestens 2,5 cm zwischen den Gefrierprodukten und der Zwischenwand ein.▶
- Legen Sie keine unverpackten Nahrungsmittel ins Gefrierfach.
- **ACHTUNG! Im Gefrierfach keine flüssigen Nahrungsmittel in Glasbehältnissen oder Flaschen aufbewahren.**
- Frisch einzufrierende Waren dürfen nicht mit bereits gefrorenen Waren in Berührung kommen.
- Frieren Sie keine Waren von höherer als der Außentemperatur ein.
- Beachten Sie unbedingt das vom Hersteller angegebene Haltbarkeitsdatum der eingefrorenen Waren.
- **FISCH UND WURST EMPFEHLEN WIR FÜR NICHT LÄNGER ALS SECHS MONATE EINZUFRIEREN, KÄSE, GEFLÜGEL, SCHWEINEFLEISCH, SCHAFFLEISCH NICHT LÄNGER ALS ACHT MONATE, RINDFLEISCH, OBST UND GEMÜSE NICHT LÄNGER ALS 12 MONATE.**

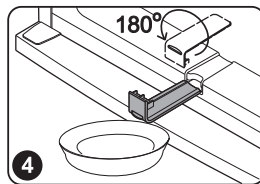


ABTAUEN DES GEFRIERFACHS

Tauen Sie das Gefrierfach mindestens zweimal jährlich ab, damit die Dicke der Eisschicht 5 mm nicht überschreitet. Gehen Sie zum Abtauen wie folgt vor:

ACHTUNG! Schalten Sie den Kühlschrank aus, ziehen Sie den Netzstecker.

- Nehmen Sie die Kühlprodukte aus dem Gefrierfach. Die gefrorenen Produkte tauen nicht auf, während Sie das Gefrierfach abtauen, wenn Sie diese mit einem dicken Tuch zudecken und sie an einem kühlen Ort aufbewahren.
- Ziehen Sie die Tauwasserauffangrinne heraus, wenden Sie sie um 180° und hängen Sie sie ein (Abb. 4). Stellen Sie bitte ein Gefäß unter Tauwasserauffangrinne.
- Lassen Sie die Gefrierfachtür offen. Wischen Sie nach dem Abtauen der Eisschicht die Oberflächen des Gefrierfachs und das Zubehör trocken.
- Ziehen Sie die Tauwasserauffangrinne heraus, wenden Sie sie erneut um 180° und setzen Sie sie an der ursprünglichen Stelle wieder ein.
- Schließen Sie die Gefrierfachtür. Schalten Sie den Kühlschrank wieder ein.



REINIGUNG UND PFLEGE

! REINIGEN SIE DEN KÜHLGERÄT REGELMÄSSIG.

! Vergessen Sie nicht vor dem Abtauen des Gefrierfachs oder dem Reinigen des hinteren Teils des Gehäuses das Gerät vom Netz zu nehmen.

- Bewahren Sie die Innenoberflächen des Geräts und alle Kunststoffteile vor Fett, Säure, Soßen. Falls Sie unabsichtlich davon ausgießen, reinigen Sie die betroffenen Flächen sofort mit warmem Seifenwasser oder Spülmittel. Reiben Sie sie anschließend trocken.
- Reinigen Sie die Innenflächen des Gefrierschranks mit warmem Seifenwasser. Es kann auch Geschirrspülmittel verwendet werden.
- Reiben Sie die Innen- und Außenflächen trocken.
- Reinigen Sie die Türdichtung regelmäßig. Reiben Sie sie trocken.
- Reinigen Sie die Schalen und das andere Zubehör regelmäßig.

- Wischen Sie mindestens einmal im Jahr den Staub ab, der sich an der Kühlschrankrückwand und auf dem Kompressor angesammelt hat. Zur Reinigung eine weiche Bürste, elektrostatische Tücher oder den Staubsauger benutzen. ►
- Für die Innen- und Außenreinigung KEINE, körnigen, säure-, alkohol-, oder benzinhaltigen Putzmittel verwenden.
- Bei der Reinigung KEINE Scheuerlappen oder Schwämme mit rauer Oberfläche verwenden.



PRAKTISCHE RATSLÄGE UND BEMERKUNGEN

- Essen Sie Eis nicht sofort, nachdem Sie es aus dem Gefrierfach genommen haben.
- Die Produkte gefrieren viel schneller, wenn sie in kleine Portionen zerteilt verpackt worden sind.
- WENN SIE DAS KÜHLGERÄT FÜR LÄNGERE ZEIT AUSSCHALTEN, LASSEN SIE DIE TÜR OFFEN.

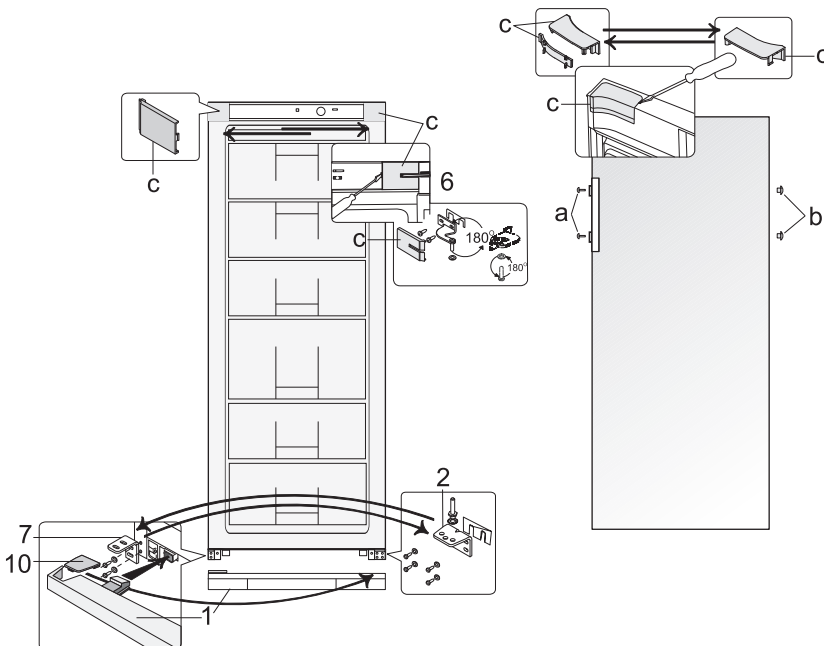


Anmerkungen zum Betriebsgeräusch des Geräts. Die vom Kühlschrank während des Betriebs verbreiteten verschiedenen Betriebsgeräusche sind normal und deuten nicht auf einen Defekt hin.

- Das Plätschern, Gurgeln und Rauschen kommt vom Kühlmittel, das durch das Kühlsystem des Geräts zirkuliert.
- Ein kurzes, lauterer Aufheulen oder ein Klicken hört man, wenn der Kompressor des Geräts sich einschaltet.

TÜRANSCHLAG

Bei Bedarf kann die Tür von Rechts- auf Linksanschlag geändert werden. Zur Vermeidung von Personen- und Sachschäden den Wechsel des Türanschlagelages mit zwei Personen durchführen.



Warnung! Vor dem Durchführen von Arbeiten am Gerät ist stets der Netzstecker aus der Steckdose zu ziehen.

Bevor Sie mit dem Umbau beginnen etwas Grundsätzliches:

- Achten Sie immer auf die Anzahl der Unterlegscheiben auf den Lagerzapfen und Schrauben.
- Richten Sie die Türen immer exakt aus, damit sie dicht schließen.
 - Gefrierschranktür öffnen
 - Entfernen Sie die vier Abdeckungen **C** von Gehäuse und Türinnenseite.
 - Setzen Sie die Verlängerung der Abdeckung um 180° gedreht auf der Gegenseite wieder ein.
 - Schrauben Sie den Bolzen in der Türinnenseite im Bereich **C/6** heraus.

Achtung! Tür festhalten.

- Nehmen Sie die Gefrierschranktür ab.
- Schrauben Sie die obere Halterung **6** ab. Beachten Sie das Kunststoffplättchen unter der Halterung.
- Drehen Sie die Halterung **6** samt Kunststoffplättchen um 180° und schrauben Sie sie auf der anderen Gefrierschrankseite in die beiden freien nebeneinander liegenden Bohrlöcher wieder ein. Nehmen Sie die untere Abdeckleiste **1** ab.
- Schrauben sie Halterung **2** mit dem Bolzen ab.
- Schrauben Sie den Bolzen mit den Unterlegscheiben aus der Halterung heraus und dann in der Öffnung auf der Gegenseite der Halterung wieder ein.
- Nehmen Sie Halterung **7** ab und ersetzen Sie diese durch Halterung **2** mit dem Bolzen.
- Halterung **7** kommt an die frühere Stelle von Halterung **2**.
- Setzen Sie die Gefrierschranktür auf den Bolzen von Halterung **2**.

Achtung! Tür festhalten.

- Setzen Sie den Bolzen der Halterung **6** wieder in die Gefrierschranktür ein.
- Decken Sie die Halterung und die freien Öffnungen mit den vier Abdeckkappen **C** ab.
- Entnehmen Sie die Abdeckkappe **10** aus Abdeckleiste **1** und setzen Sie sie auf der gegenüberliegenden Seite wieder ein.
- Setzen Sie die Abdeckleiste **1** wieder in das Gerät ein.
- Entfernen Sie die Schraubenabdeckkappen **a** und die Verschlussstopfen **b**.
- Drehen Sie die Schrauben des Türgriffes heraus. Schrauben Sie den Griff auf der Gegenseite wieder fest. Die mitgelieferten Verschlussstopfen drücken Sie in die verbliebenen Öffnungen in der Tür und die Schraubenabdeckkappen auf die Schrauben.

Wenn Sie das Gerät um mehr als 30° geneigt haben, warten Sie bitte 4 Stunden bevor Sie das Gerät an das Stromnetz anschließen.

STÖRUNGEN UND DEREN BEHEBUNG


Was, wenn...

- **Der ans Stromnetz angeschlossene Kühlgerät nicht funktioniert, die Stromanzeige nicht aufleuchtet.** Überprüfen Sie, ob die Elektroinstallation bei Ihnen zu Hause in Ordnung ist. Überprüfen Sie, ob der Stecker richtig in die Steckdose gesteckt wurde.
- **Anzeige für steigende Temperatur leuchtet rot.** Das Gerät wurde zum ersten Mal eingeschaltet oder war während längerer Zeit ausgeschaltet (zum Beispiel zum Abtauen oder nach einem Stromausfall), die Gerädetüren sind nicht geschlossen oder wurden häufig auf- und zugemacht, eine große Menge Frischprodukte befindet sich im Gefrierabteil und die Temperatur ist auf über -9 °C angestiegen. Sinkt die Innentemperatur auf unter - 9 °C, erlischt das Warnlicht. **ACHTUNG! Erlischt die Anzeige für steigende Temperatur (wegen oben genannter Ursachen) länger als 6 Stunden nicht, so ist der Kompressor**

ununterbrochen in Betrieb oder schaltet sich nicht ein. Wenden Sie sich in diesem Fall an die Servicefachleute.

- **Der Lärmpegel des Geräts ansteigt.** Überprüfen Sie, ob das Gerät stabil und waagrecht steht. Zur Regulierung bedienen Sie sich der vorderen Stützfüße des Geräts.
- Überprüfen Sie, ob zwischen dem Kühlgerät und anderen Möbeln oder den Teilen an der Hinterseite des Geräts und der Wand ein Zwischenraum ist. Ziehen Sie den Kühlgerät weg von den Möbeln oder der Wand. Überprüfen Sie, ob die lauter Geräusche nicht von Flaschen, Dosen, Geschirr im Kühlgerät stammen, die sich gegenseitig berühren.
- **Beim Öffnen der Kühlschränktüren quillt das Gummidichtungsband hervor.** Die Dichtung ist mit klebrigen Nahrungsmitteln (Fett, Sirup) verschmutzt. Reinigen Sie die Dichtung und die Vertiefung für die Dichtung mit warmem Seifenwasser oder Spülmittel, reiben sie beides trocken. Setzen Sie die Gummidichtung wieder in die Vertiefung ein.
- **Hohe Temperatur im Kühlgerät, Betriebspausen des Kompressors kurz.** Achten Sie darauf, ob die Kühlschränktüren sich gut dicht schließen lassen, ob nicht die Türen beim Herausnehmen oder Hineinstellen von Produkten länger als erforderlich offen gelassen wurden, ob nicht zu viele und zu warme Esswaren in den Kühlschrank gestellt wurden.
- **Die Oberfläche des Kühlgeräts beschlägt sich.** Die Luftfeuchtigkeit in der Umgebung beträgt mehr als 70 Prozent. Lüften Sie den Raum, in dem das Kühlgerät steht, beseitigen sie falls möglich die Ursache für die Feuchtigkeit.

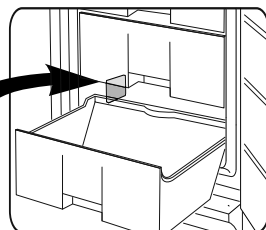
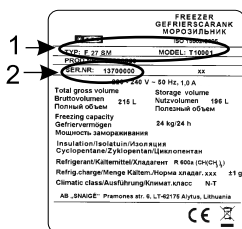
TRANSPORT

 **BEI NICHTBEACHTUNG DER TANSPORTVORSCHRIFTEN KANN DER HERSTELLER NICHT FÜR ENTSTEHENDE SCHÄDEN HAFTBAR GEMACHT WERDEN.**

- Das Kühlgerät nur in vertikaler Lage transportieren.
- Während des Transports muss das Kühlgerät vor atmosphärischen Einwirkungen (Regen, Schnee, Feuchtigkeit) geschützt sein.
- Das Kühlgerät muss gut befestigt sein, um Verrutschen und Beulen durch Schläge während des Transports zu vermeiden.
- Falls das Gerät nicht in vertikaler Lage transportiert wurde, darf es erst nach mindestens vier Stunden ans Netz angeschlossen werden. Bei Nichtbeachtung dieser Vorschrift droht der Ausfall des Kompressors.

GARANTIELEISTUNGEN

FALLS IHR KÜHLGERÄT NICHT MEHR RICHTIG FUNKTIONIERT, ÜBERZEUGEN SIE SICH, OB SIE DIE URSACHE DES NICHT ZUFRIEDENSTELLENDEN BETRIEBS DES GERÄTS NICHT SELBST BEHEBEN KÖNNEN. Können Sie das Problem nicht selbst lösen, wenden Sie sich telefonisch oder schriftlich an einen Serviceverteter in Ihrer Nähe. Geben Sie dabei unbedingt Modell (1) und Gerätenummer (2) an. Diese Angaben finden Sie auf der Geräteeikette.



VEILIGHEIDSINSTRUCTIES

Lees de veiligheidsinstructies aandachtig door. Indien de instructies niet zorgvuldig worden toegepast, kunnen er risico's ontstaan of kan er schade worden aangericht met als gevolg het vervallen van de volledige garantie. Het is aanbevolen om de veiligheidsinstructies te bewaren gedurende de gehele levensduur van de diepvriezer. Indien de diepvriezer wordt verkocht, dient men tevens de veiligheidsinstructies aan de nieuwe eigenaar te geven.

! WAARSCHUWING!

- Let erop dat de ventilatieopeningen aan de bovenkant en zijkanten niet afgedekt worden.
- Tijdens het reinigen van het vriesgedeelte geen gebruik maken van mechanische of elektrische hulpmiddelen om het ontdooingsproces te versnellen.
- Indien de voedingskabel beschadigd is, dient deze door de fabrikant, zijn onderhoudspersoneel of door een gespecialiseerd vakman te worden vervangen om schade te voorkomen.
- Wanneer de diepvriezer wordt afgedankt, dient dit volgens de landelijke wetgeving plaats te vinden.
- Zorg dat het koelsysteem van de diepvriezer niet wordt beschadigd. Indien het koelsysteem wordt beschadigd:
 - Geen vuur gebruiken. Vermijd vonken — gebruik geen elektrische apparaten of verlichtingen.
 - Ventileer onmiddellijk de ruimte waar de diepvriezer zich bevindt.
- Laat kinderen niet met de diepvriezer spelen of de stekker uit het stopcontact halen of deze in het stopcontact steken-. Laat kinderen niet met het verpakkingsmateriaal van de diepvriezer spelen.
- Dit apparaat mag gebruikt worden door kinderen (tenminste 8 jaar oud) en door personen met verminderde fysieke, zintuiglijke of mentale bekwaamheden, of gebrek van ervaring en kennis, wanneer deze onder



begeleiding zijn of instructies ontvangen hebben over het gebruik van dit apparaat en volledig de gevaren en veiligheidsvoorschriften begrijpen.

- K inderen mogen niet worden toegestaan om schoonmaak of onderhoud werk aan deze apparaten te doen tenzij onder begeleiding.
- De diepvriezer dient uitsluitend voor het koelen en vriezen van levensmiddelen gebruikt te worden.
- Dit apparaat is niet geschikt voor de opslag van explosieve stoffen zoals aerosols met ontvlambaar drijfgas.
- Het is verboden om benzine of andere ontvlambare stoffen op te slaan in de onmiddellijke omgeving van het apparaat.

⚠ ELEKTRISCHE AANSLUITING

- De diepvriezer moet op een geaard stopcontact aangesloten worden. De geaarde stekker waarmee het apparaat met het voedingsnet wordt verbonden, dient gemakkelijk bereikbaar te zijn.
- INDIEN DE DIEPVRIEZER VOORZIEN IS VAN DE SPECIALE VOEDINGSKABEL, KAN DEZE ENKEL VERVANGEN WORDEN DOOR EEN GELIJKSOORTIGE KABEL DIE DOOR DE FABRIKANT WORDT GELEVERD.
- OM GEVAAR TE VOORKOMENVERMIJDEN MOGEN BESCHADIGDE VOEDINGSKABELS ENKEL DOOR DE FABRIEK, EEN ONDERHOUDSTECHNICUS OF IEMAND MET GELIJKWAARDIGE ERVARING VERVANGEN WORDEN.
- GEBRUIK GEEN verlengkabels, adapters of hub.
- De frequentie en de stroomtoevoer in uw huis moeten conform zijn aan de algemene richtlijnen van de diepvriezer zoals beschreven in het schema.
- Bij het plaatsen van de diepvriezer moet gecontroleerd worden of de voedingskabel niet gekneld zit en zodoende beschadigd wordt. Bij het plaatsen van eventuele zware objecten zoals bijvoorbeeld koelelementen, meubels of andere huishoudelijke apparaten naast de diepvriezer, dient men ervoor te zorgen dat de voedingskabel niet bekneld raakt. Dit kan namelijk kortsluiting en brand veroorzaken.
- Controleer of de stekker van de voedingskabel niet achter de diepvriezer gekneld zit of dat het op andere wijze beschadigd wordt. Een beschadigde stekker kan brand veroorzaken!

- ALS DE STEKKER VAN DE DIEPVRIEZER UIT HET HET STOPCONTACT WORDT GEHAALD, (BIJ SCHOONMAAK, VERPLAATSING, ENZ.), KAN HET APPARAAT NA **15 MINUTEN** WEER AANGESLOTEN WORDEN.
- Het is verboden om technisch beschadigde apparaten te gebruiken.
- Laat de oppervlaktes in de diepvriezer niet in aanraking komen met vet, zuur of sauzen.
- Plaats geen andere werkende elektrische apparaten (zoals magnetrons, haardrogers, strijkijzers, elektrische ketels of andere apparaten) boven op de diepvriezer want deze kunnen de plastic onderdelen ervan doen verbranden.
- Plaats geen borden met vloeistoffen, vazen met bloemen of andere vloeistofhouders op de diepvriezer.
- Klim of zit niet op de diepvriezer, hang niet aan de deuren en vermijd dat kinderen dit doen.



ALS DE DIEPVRIEZER NIET WERKT EN ALS HET NIET MOGELIJK IS OM DEZE VOLGENS DE AANBEVOLEN RICHTLIJNEN TE REPAREREN, DIENT MEN DE STEKKER UIT HET STOPCONTACT TE HALEN, DE DEUREN TE OPENEN EN CONTACT OP TE NEMEN MET DE ERKENDE ONDERHOUDSMONTEUR. ALLEEN DE ERKENDE ONDERHOUDSMONTEUR IS BEVOEGD OM TECHNISCHE OF PRODUCTIEFOUTEN TE HERSTELLEN.

RICHTLIJNEN m.b.t. MILIEU



Dit symbool geeft aan dat dit product niet als huishoudafval mag worden behandeld. Het moet separaat opgehaald en gerecycled worden door het bijvoorbeeld naar containers met bovenvermeld symbool in daartoe bestemde afvalverwerkingscentra te brengen.

- De diepvriezer mag niet door verbranding vernietigd worden.

Voor meer informatie over het recyclen van het product, kan men contact opnemen met de gemeentelijke dienst, de winkel waar u het product heeft gekocht of met de fabrikant.

Indien u beslist het product te recyclen, zorg er dan voor dat dit niet door anderen gebruikt kan worden en vermijd hierdoor eventuele ongelukken. Haal de stekker uit het stopcontact en verwijder de voedingskabel. Verwijder het deurrubber. Maak de deurvergrendeling ongedaan indien aanwezig.

WAARSCHUWING! Demonteer de diepvriezer niet zelf. Laat dit door een recyclingsbedrijf doen.

ALGEMENE INFORMATIE

Het apparaat is een rechtopstaande model. De diepvriezer is bedoeld voor het invriezen en lange-termijn bewaren van voedsel.

HET APPARAAT IS VERVAARDIGD MET MILIEUVRIENDELIJKE MATERIALEN DIE NIET SCHADELIJK ZIJN VOOR DE OZONLAAG: de koelstof is R600a, en het schuimmiddel dat gebruikt wordt voor de isolatie is Cyclopentaan C₅H₁₀.

DE FABRIKANT VERZEKERT DE BETROUWBARE WERKING VAN DE DIEPDIEPVRIEZER WANNEER DE RELATIEVE LUCHTVOCHTIGHEID NIET GROTER IS DAN 70% EN DE KAMERTEMPERATUUR TUSSEN DE VOLGENDE WAARDEN LIGT:

+16 °C en +32 °C (klimaatklasse **N**)

+16 °C en +38 °C (klimaatklasse **ST**)

+16 °C en +43 °C (klimaatklasse **T**).

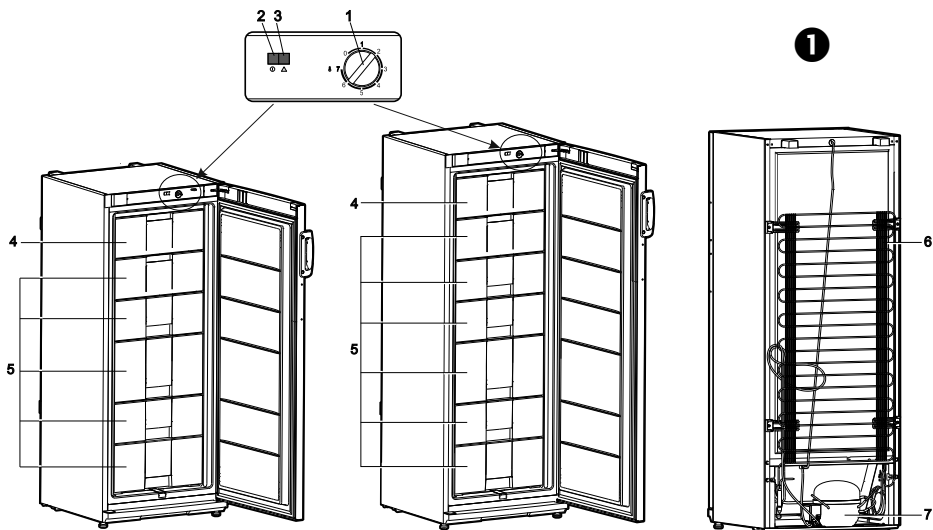
Product informatie blad voor koelapparaten voor huishoudelijk gebruik

In overeenstemming met de EU- richtlijn 1062/2010 van bijlage III

Modell	F 22SM F245.1504.1A+ F245.1574.1A+ TK-220 CHR	F 27SM* KBS TK310, KBS TK 310 CHR
Categorie voor koelapparaten voor huishoudelijk gebruik	8 - Vrieskast	
Energie efficiëntie classificatie	A+	A+
Energie gebruik in kWh/jaar	235	262
Bruikbare capaciteit - Vriezer unit (liters) (zonder laden) ****	196	234 *F 27SM – 227
Vorstvrije : vriezer unit	nee	nee
Veilige opbergtijd in geval van een defect, uren	20	20
Vries capaciteit, kg/24 h	12	12
Klimaat classificatie	N-ST	N - T
Omgevingstemperatuur, °C	16 – 38 °C	16 – 43 °C
Geluidsemissie in dB(A) re1pW	41	41
Afmeting (H x W x D) in mm	145 x 60 x 62	163 x 60 x 62
Elektrische specificaties	Zie waarderingsplaat	

LET OP. De fabrikant behoudt zich het recht voor om in de toekomst eventuele wijzigingen aan de technische gegevens en specificaties aan te brengen.

BESCHRIJVING VAN DE DIEPVRIEZER, BASISONDERDELEN (afb. 1)



F 22SM

F245.1504.1A+

F245.1574.1A+

TK-220 CHR

F 27SM

KBS TK310,

KBS TK 310 CHR

- | | |
|---|---|
| 1 Thermostaatknop - temperatuurregelaar | 6 Sectie(s) ingevroren producten |
| 3 Indicator elektrische stroomtoevoer (groen lichtje) | 7 Condensator |
| 4 Indicator temperatuurstijging (rood lichtje) | 8 Compressor |
| 5 Sectie(s) 'snel invriezen'  | |

OVERZICHT VAN MECHANISCHE CONTROLE (fig. 1)

CONTROLEPANEEL – BESCHRIJVING VAN SYMBOLEN EN WERKING

1 – THERMOSTAATKNOP. De temperatuur van het toestel wordt geregeld met behulp van de thermostaatknop die naar links of rechts gedraaid wordt. Meer informatie onder "Temperatuur regelen".

3– INDICATOR ELEKTRISCHE STROOMTOEVOER – aangeduid met symbool  Het groen lichtje brandt wanneer het toestel is aangesloten op de elektrische stroomvoorziening. Tegelijkertijd **licht** het indicatorlichtje **op** van de **Indicator temperatuurstijging**. Deze indicator licht op wanneer de diepvriezer gedurende langere tijd uitgestaan heeft, bijvoorbeeld nadat de diepvriezer voor de eerste keer wordt aangezet, na het ontdooien of na verlies van elektrische spanning. Wanneer de temperatuur opnieuw daalt tot onder - 9 °C, gaat het **indicatorlampje temperatuurstijging** uit.

4 – INDICATOR TEMPERAATUURSTIJGING – aangeduid met het symbool

Wanneer de temperatuur van de diepvriezer zakt tot onder $-9\text{ }^{\circ}\text{C}$, licht het rode lampje op. Dit betekent dat:

- de diepvriezer gedurende langere tijd uitgestaan heeft, bijvoorbeeld nadat de diepvriezer voor de eerste keer wordt aangezet, na het ontdooien of na verlies van elektrische spanning
- de deur van de diepvriezer open staat of te vaak geopend is
- er een groot aantal niet bevroren producten in zitten
- het invriessysteem werkt niet; indien het indicatorlampje niet gedurende langer dan 6 uur uit gaat, betekent dit dat de compressor voortdurend draait of in zijn geheel niet.

VÓÓR DE INGEBRUIKNAME

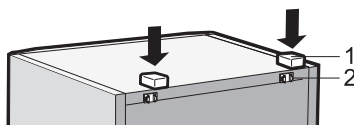
De werkzaamheden kunnen het beste door 2 personen worden uitgevoerd.

- Pak de diepvriezer uit. Til de diepvriezer uit de schuimbasis. Verwijder het plakband.



Het apparaat is uitgerust met vastgeschroefde handgrepen. Gebruik de handgrepen niet om het toestel op te tillen of te verplaatsen. Dit kan leiden tot het afbreken van de handgrepen.

- Verwijder alle roodgekleurde onderdelen van de rekken. Verwijder de roodgekleurde plakbandstrips van de deurvakken – deze zijn enkel bedoeld voor het vervoeren van de diepvriezer.
- Bij het verplaatsen van de diepvriezer in de gewenste positie, is het gemakkelijker deze te verzetten indien u de voorkant een beetje optilt en naar achteren kantelt zodat de diepvriezer op de wieltjes kan bewegen.
- Zorg ervoor dat al het verpakkingsmateriaal op de juiste wijze wordt gerecycled.
- Monteer twee van de steunen uit het onderdelentasje op hun plaats aan de achterbovenkant van de diepvriezer. ►



Indien de diepvriezer vervoerd wordt bij lage externe temperatuur (niet hoger dan $+12\text{ }^{\circ}\text{C}$), dient u 2 uur te wachten voordat u de diepvriezer kunt aansluiten.


- Alle verpakkings- en vervoermaterialen dienen verwijderd te worden voordat u de diepvriezer met het voedingsnet verbindt.

PLAATSING

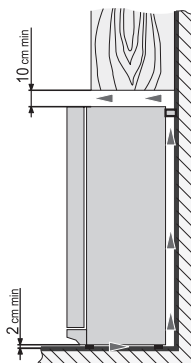
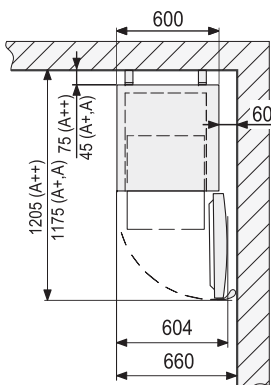
- Plaats de diepvriezer in een droog en goed geventileerde ruimte.



WAARSCHUWING! De diepvriezer dient niet in een ruimte zonder verwarming of op een veranda geplaatst te worden. Plaats de diepvriezer ver van warmtebronnen zoals keukens, verwarmingsradiatoren en vermijd direct zonlicht.

 **WAARSCHUWING!** De diepvriezer dient niet in aanraking te komen met verwarmings- gas- of waterleidingen of andere elektrische apparaten.

- Let erop dat de ventilatieopeningen aan de bovenkant niet afgedekt worden— er moet een goede luchtventilatie rondom de diepvriezer verzekerd worden. Er dient een ruimte te zijn van minstens 10 cm tussen de bovenkant van de diepvriezer en eventuele andere meubels die boven het apparaat worden geplaatst. Indien deze aanbeveling niet wordt nageleefd, zal de diepvriezer meer stroom gebruiken en kan de compressor oververhit raken. ►



- ◀ Indien het toestel in een hoek geplaatst wordt, dient er 6cm vrij gelaten te worden tussen de behuizing van het toestel en de muur zodat de deur voldoende kan geopend worden om de diepvriesladen in en uit te schuiven (zie afbeelding).
- De diepvriezer moet waterpas staan en moet de muur niet aanraken. Indien nodig, kan de hoogte van de diepvriezer door middel van de afstelpoot ingesteld worden: de voorkant van de diepvriezer stijgt als de afstelpoten met de klok mee gedraaid worden en daalt als deze tegen de klok in gedraaid worden. De deuren sluiten vanzelf als de diepvriezer ietwat naar achteren helt.

TEMPERATUUR INSTELLEN


In de fabriek wordt de temperatuur van **-18 °C** in de diepvriezer ingesteld. De temperatuur in het koelgedeelte wordt bediend door de thermostaatknop **1 (afb. 1, 2)** in de gewenste stand te draaien. De temperatuur wordt naast de thermostaatknop aangegeven.

0 = Compressor is uitgeschakeld. **WAARSCHUWING! Elektriciteit is niet uitgeschakeld.**

1 = hoogste temperatuur (laagste koeling)


7 = laagste temperatuur (hoogste koeling)

Regel de gewenste temperatuur in de diepvriezer naar uw eigen wensen.

 DE TEMPERATUUR IN HET KOELGEDEELTE KAN IN HOGE MATE BEÏNVOED WORDEN DOOR DE OMGEVINGSTEMPERATUUR, DE HOEVEELHEID LEVENSMIDDELEN DIE BEWAARD WORDEN EN DOOR DE REGELMAAT WAARMEE DE DEUR GEOPEND WORDT.

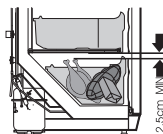
ALS DE OMGEVINGSTEMPERATUUR LAAG IS, ZAL DE DIEPVRIEZER MINDER KOELEN. DE TEMPERATUUR IN DE DIEPVRIEZER KAN DAAROM STIJGEN. Gebruik de thermostaatknop om een lagere temperatuur in te stellen.

GEbruik VAN HET VRIESGEDEELTE

De 'snel invriezen'-functie wordt aangeduid met het symbool 

Leg de verse producten in een of twee rijen in de 'snel invriezen'-sectie. Zodra de producten ingevroren zijn, dienen ze verder bewaard te worden in de voorraadladen.

- **BEWAAR NIET MEER BEVROREN PRODUCTEN DAN HET MAXIMUM AANTAL ALS AANGEGEVEN IN DE ALGEMENE GEGEVENSTABEL.**
- Behoud een ruimte van minstens 2,5 cm tussen de levensmiddelen en de bovenwand van het vriesgedeelte. ►
- Bewaar geen onverpakte levensmiddelen in het vriesgedeelte.
- Nog niet ingevroren levensmiddelen mogen niet in aanraking komen met reeds ingevroren middelen.
- Vries nooit levensmiddelen in die warmer zijn dan de omgevingstemperatuur.
- **Geen vloeistoffen in glazen flessen of potten invriezen. Geen koolzuurhoudende dranken invriezen.**
- Houd u streng aan de invriesdata die op de verpakking van de levensmiddelen zijn vermeld.
- ER WORDT AANGERADEN OM INGEVROREN VIS EN WORST NIET LANGER DAN 6 MAANDEN IN HET VRIESGEDEELTE TE BEWAREN; KAAS, KIPPEN-, VARKENS- EN LAMSVLEES NIET LANGER DAN 8 MAANDEN; RUNDVLEES, FRUIT EN GROENTE NIET LANGER DAN 12 MAANDEN.

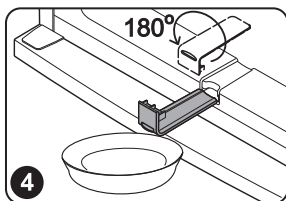


ONTDOOIEN VAN HET VRIESGEDEELTE

Het vriesgedeelte moet minstens twee keer per jaar worden ontdooid of wanneer er een ijslaag ontstaat van meer dan 5 mm. Verricht de volgende handelingen in de aangegeven volgorde:

WAARSCHUWING! Schakel de diepvriezer uit en verwijder de stekker uit het stopcontact.

- Verwijder alle levensmiddelen uit het vriesgedeelte. Als u de ingevroren etenswaren in een dikke doek wikkelt en deze op een koele plaats legt, zullen de levensmiddelen niet al te veel van temperatuur veranderen terwijl u het vriesgedeelte ontdooid.
- Neem de afvoerstop onder uit het apparaat en plaatst het schuifblad of een andere platte schaal onder de kast.



- Hierin kan het dooiwater worden opgevangen.
 - Het ontdooiproces kan worden bevorderd door één of meerdere pannen met water in de kast te plaatsen en de deur te openen.
 - Gebruik nooit scherpe voorwerpen om ijs weg te schrapen. Onherstelbare schade kan het gevolg zijn. Als alle ijsaanslag is verwijderd kan de kast met een zachte doek worden gedroogd.
- Strooi voorzichtig wat talkpoeder op de gedroogde deurrubbers.
 - Plaats de stekker terug in het stopcontact en zet het apparaat weer aan.

SCHOONMAAK EN ONDERHOUD

REINIG DE DIEPVRIEZER REGELMATIG.



Vergeet niet het toestel los te koppelen van de stroomvoorziening voor u begint met het ontdooien van de diepvriezer en het reinigen van de achterkant van het apparaat. Hiervoor trekt u de strekker uit het stopcontact.

- Vermijd dat de interne oppervlaktes en de plastic onderdelen in aanraking komen met vetten, zuren en sauzen. Reinig bij morsen onmiddellijk met warm zeepwater of afwasmiddel. Daarna afdrogen.
- Reinig de oppervlakte aan de binnenkant met warm zeepwater. U kunt ook afwasmiddel gebruiken. Droog de oppervlaktes binnen en buiten af.
- Reinig regelmatig het deurrubber. Daarna afdrogen.
- Was de lades en de accessoires regelmatig.
- Verwijder stof aan de achterkant van de diepvriezer en de compressor minstens één keer per jaar. Gebruik hiervoor een zachte borstel, een elektrostatische doek of een stofzuiger. ►
- Gebruik voor de schoonmaak van de diepvriezer GEEN schoonmaakmiddelen die schurende of zure elementen of alcohol of benzeen bevatten.
- GEBRUIK GEEN doeken of sponsen met een ruwe oppervlakte.



PRAKTISCHE TIPS EN AANWIJZINGEN

- Eet nooit ijs dat van de ijslaag in het vriesvak afkomstig is.
- Levensmiddelen vriezen sneller in als ze in kleine porties verdeeld worden.
- LAAT DE DEUREN OPEN ALS U DE DIEPVRIEZER VOOR EEN LANGE PERIODE UIT MOET ZETTEN.



Opmerkingen over het geluid. Tijdens de werking van de diepvriezer en bij het invriezen van de levensmiddelen, kunnen er verschillende soorten geluiden ontstaan. Dit is normaal en dit betekent niet dat er een storing is.

- Aangezien de koelvloeistof in het koelsysteem circuleert, ontstaan er borrelende, suizende of druppelende geluiden.
- Er kunnen sterkere geluiden voor een korte periode ontstaan zoals ploffen of klikken bij het aangaan van de compressor.

OPENINGSRICHTING VAN DE DEUREN WIJZIGEN

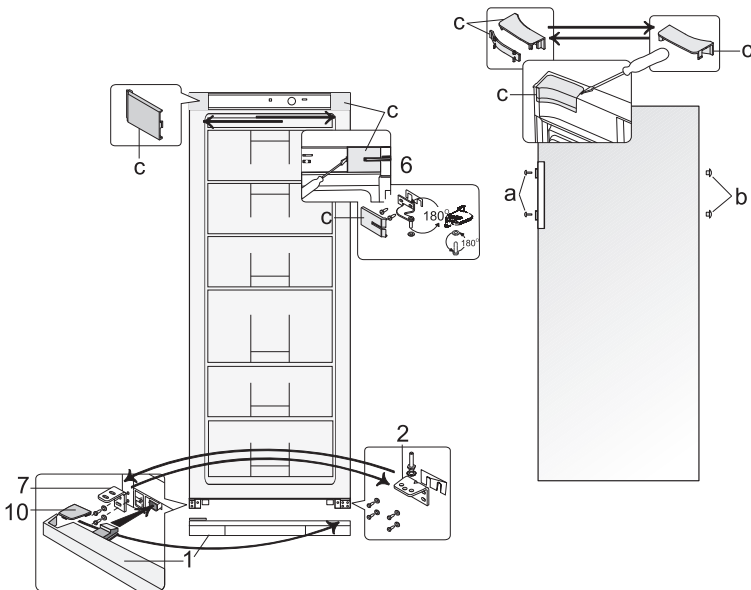
Deze werkzaamheden kunnen het beste uitgevoerd worden door 2 personen. U heeft van twee schroefsleutels Nr. 8 en Nr. 10 nodig en een Philips kruiskopschroevendraaier.

Tijdens het wijzigen van de openingsrichting, mag de diepvriezer NIET in horizontale positie geplaatst worden. Volg onderstaande aanwijzingen in de volgorde waarin ze beschreven zijn:

OPGELET! Zet het apparaat uit en trek de stekker uit het stopcontact.

1. Verwijder afdekplaten **c** van de behuizing van de diepvriezer en van de binnenkant van de deur. Verwijder eveneens de bovenste bevestigingsplaat **6**, evenals de moeren en het kunststof tussenstuk.
2. Verwijder de deur van het diepvriescompartiment.
3. Verwijder onderste afdekpaneel **1**.
4. Verwijder onderste bevestigingsplaat **2** de moeren en het plastic tussenstuk. Schroef de scharnierpinnen en moeren los en schroef deze in de opening aan de andere kant van de bevestigingsplaat, symmetrisch met de vorige positie.

5. Verwijder onderste bevestigingsplaat 7 en bevestig onderste bevestigingsplaat 2 aan de moeren en het kunststof tussenstuk. Schroef bevestigingsplaat 7 op de plaats van bevestigingsplaat 2.



6. Hang de deur van de diepvriezer aan de scharnierpinnen van bevestigingspaneel 7.
7. Draai bevestigingsonderdeel 6, evenals de moeren en het kunststof tussenstuk, 180°. Schroef de scharnierpinnen en moeren los en bevestig deze aan de andere kant van de bevestigingsplaat. Zodra het bevestigingsonderdeel bevestigd is aan de deur van de diepvriezer, schroeft u deze vast in de bovenste openingen aan de andere kant van de diepvriezer.
8. Gebruik afdekplaten c om de bevestigingsplaat en de overgebleven ruimte af te dekken.
9. Verwijder de afdekplaat van de bouten a en de stoppen b. Verwijder de moeren van de deurgrepen, verplaats de deurgrepen naar de andere kant en schroef ze opnieuw vast. Plaats de stoppen in de overgebleven openingen van de deur en herbevestig de afdekplaten van de bouten.
10. Verwijder afdekplaat 10 van onderste afdekplaat 1 en schuif het in de opening aan de andere kant van de onderste afdekplaat (symmetrisch met de vorige positie). Schuif de linker- en rechervoet van onderste afdekplaat 1 (zie afbeelding) en duw deze op hun plaats.

PROBLEMEN EN OPLOSSINGEN

Wat te doen indien ...

- **De stekker aangesloten is maar de diepvriezer niet werkt en het aan/uit licht uitgeschakeld is.** Controleer of er stroom in huis is. Controleer of de stekker op de juiste wijze in het stopcontact is gestoken.
- **Het geluid neemt toe.** Controleer of de diepvriezer rechtop en waterpas staat. Verstel hiertoe de poten aan de voorkant. Controleer of de diepvriezer geen andere meubels aanraakt, en of geen enkel deel van het koelingsstelsel op de achterkant van de diepvriezer tegen de wand steunt. Laat de diepvriezer niet dichtbij andere meubels of muren staan. Controleer of de geluidstoename niet veroorzaakt wordt door flessen, blikjes of borden die in de diepvriezer elkaar aanraken.

- **Bij het openen van de diepvriezer, gaat het deurrubber los.** Het deurrubber is in aanraking gekomen met vette voedselresten (vet, stroop). Reinig het rubber en de behuizing met warm zeepwater of afwasmiddel en droog het af. Doe het deurrubber terug op zijn plaats.
- **Het indicatorlampje temperatuurstijging is rood.** Dit betekent dat het apparaat voor de eerste keer is aangesloten op de elektrische stroomvoorziening of gedurende langere tijd zonder stroom heeft gezeten (voor het ontdooien van de diepvriezer of ten gevolge van een stroomonderbreking), de diepvriesdeur niet gesloten is of te vaak open en dicht gedaan wordt of een groot volume verse producten in de diepvries is geplaatst. Het gevolg daarvan is dat de temperatuur van de diepvriezer gestegen is tot boven -9°C . Zodra de temperatuur opnieuw zakt tot -9°C gaat het indicatorlampje uit.
OPGELET! Indien het indicatorlampje niet voor langer dan 6 uur uit gaat (ten gevolge van andere redenen dan de boven genoemde), betekent dit dat de compressor voortdurend draait of niet functioneert. U dient de onderhoudsdienst te contacteren.
- **De temperatuur in de diepvriezer is gestegen, de pauses van de compressor zijn kort.** Controleer of de deur van de diepvriezer goed afsluit, of de deur niet langer dan nodig geopend is gebleven om levensmiddelen te plaatsen of te verwijderen en of er niet veel warme levensmiddelen in de diepvriezer geplaatst zijn.
- **Er is condensatie op de bovenkant van de diepvriezer.** De vochtigheidsgraad van de omgeving is boven 70%. Ventileer de ruimte waar de diepvriezer zich bevindt en verwijder indien mogelijk de oorzaak van het vocht.

VERVOER



DE FABRIKANT IS NIET VERANTWOORDELIJK VOOR SCHADE DIE BEROKKEND WORDT BIJ HET NIET RESPECTEREN VAN DE VERVOERAANWIJZINGEN.

- De diepvriezer dient uitsluitend in verticale positie te worden vervoerd.
- Tijdens het vervoer dient de diepvriezer beschermd te worden tegen alle weersomstandigheden (regen, sneeuw, vocht).
- De diepvriezer dient tijdens het vervoer stevig vastgezet te worden om verschuivingen en stoten te vermijden.
- Indien de diepvriezer niet in verticale positie wordt vervoerd, dient deze niet eerder dan na op z'n minst 4 uur op het voedingsnet te worden aangesloten. Indien deze tijd niet wordt gerespecteerd, zou de compressor buiten werking kunnen raken.

GARANTIE

INDIEN U DIEPVRIEZER NIET OP DE GEWENSTE MANIER FUNCTIONEERT, CONTROLEERT U DAN EERST OF U DIT ZELF KUNT VERHELPEM. Indien u het probleem niet zelf kunt oplossen, neemt u dan telefonisch of schriftelijk contact op met de dichtsbijzijnde servicedienst. Geef altijd het diepvriezermodel **1** en het serienummer **2** aan. Deze gegevens staan op het plaatje.

