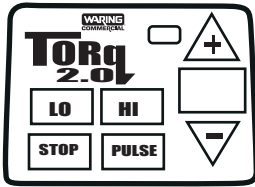


Unit Information

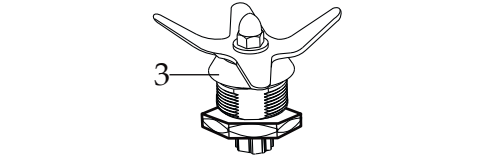
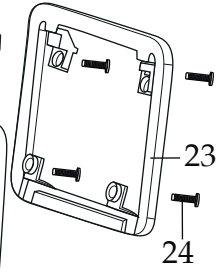
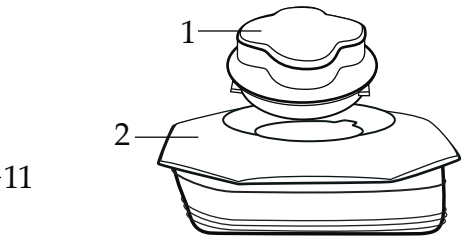
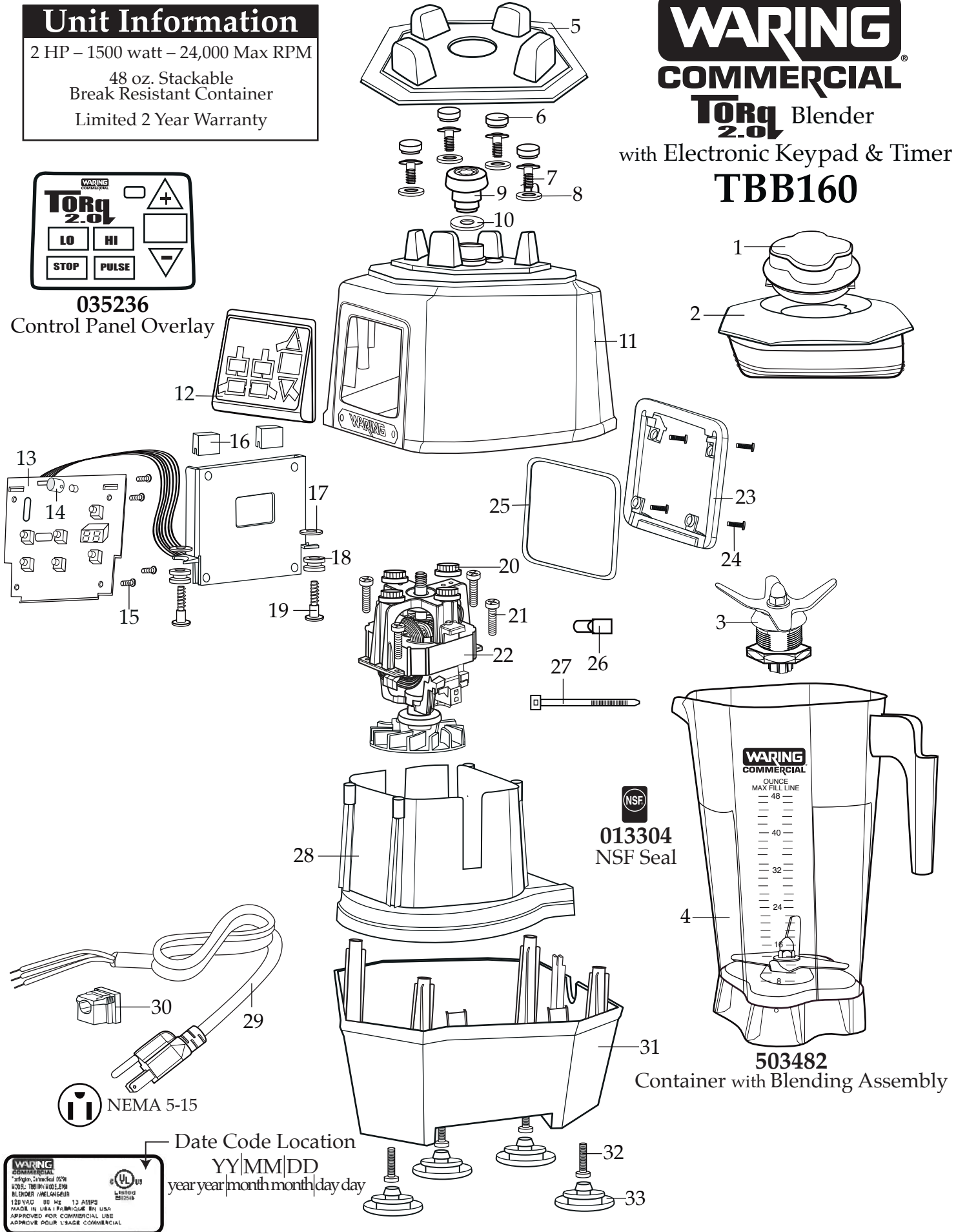
2 HP – 1500 watt – 24,000 Max RPM
 48 oz. Stackable
 Break Resistant Container
 Limited 2 Year Warranty

WARING COMMERCIAL

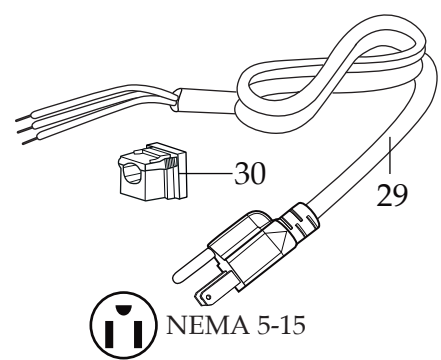
TORq 2.0 Blender with Electronic Keypad & Timer **TBB160**



035236
 Control Panel Overlay



503482
 Container with Blending Assembly



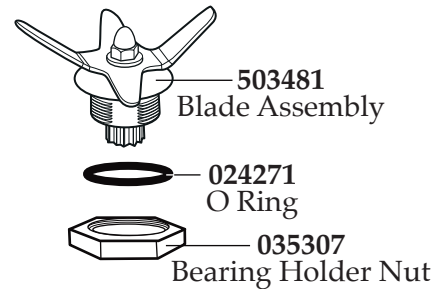
NEMA 5-15



Date Code Location
 YY|MM|DD
 year year | month month | day day

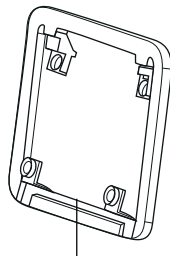
| Illustration# | Part# | Description |
|---------------|------------|--|
| 1 | 028769-E | Eastman Jar Lid Cover |
| 2 | 035238-V | Vinyl Jar Lid |
| 3 | 035465 | Blending Assembly (with O ring and bearing holder nut) |
| 4 | 035239 | 48 oz. Stackable Container ONLY |
| 5 | 035885 | Jar Pad (<i>changed after 8/2/2018</i>) |
| | 035091 | Jar Pad (use 035885) |
| 6 | 035085 | Hole Plug (4 required) |
| 7 | 034275 | Sems (4 required) |
| 8 | 034273 | B Gasket (4 required) |
| 9 | 037034 | Drive Coupling Machined 2 Gen. (<i>on units after 9/19/2019</i>) |
| | 035251 | Drive Coupling |
| 10 | 037033 | Coupling Washer (<i>on units after 9/19/2019</i>) |
| 11 | 503609 | Top Housing with Badge (<i>on units after 9/28/2022</i>) |
| | 503460-160 | Top Housing Assembly |
| 12 | 035234 | Control Housing Front Bezel (<i>on units after 9/28/2022</i>) |
| 13 | 037012 | Control Panel (<i>on units after 1/25/2022</i>) |
| | 035162 | TBB160 Control Panel Assembly |
| 14 | 035253 | LED Lens |
| 15 | 035090 | Screw (4 required) |
| 16 | 034900 | PCB Cushion (2 required) |
| 17 | 013604 | Washer (2 required) |
| 18 | 034904 | Rubber Pad (2 required) |
| 19 | 034902 | Sems (2 required) |
| 20 | 034272 | A Gasket (4 required) |
| 21 | 034274 | Screw (4 required) |
| 22 | 035815 | Chiaphua Motor with Sensor (<i>on units after 6/4/2021</i>) |
| | 034276 | ECM Motor / KB500 |
| 23 | 035237 | Control Housing Back Bezel (<i>on units after 9/28/2022</i>) |
| 24 | 035090 | Screw (4 required) |
| 25 | 038576 | Top Housing Control Seal (<i>on units after 9/28/2022</i>) |
| 26 | 012409 | Small Crimp Connectors (2 required <i>on units after 11/22/2016</i>) |
| | | (4 required) |
| | 019123 | Large Crimp Connectors (2 required <i>on units after 11/22/2016</i>) |
| | | (1 required) |
| 27 | 013731 | Cable Ties (6 required <i>on units after 11/22/2016</i>) - (2 required) |

| Illustration# | Part# | Description |
|---------------|------------------|---|
| 28 | 503483 | Motor Housing with Dampeners |
| 29 | 035124 026925 | Cordset (on units after 4/25/2016) Cordset |
| 30 | 033619 007556 | Strain Relief (on units after 4/25/2016) Strain Relief |
| 31 | 503480 035079 | Bottom Housing & Feet Bottom Housing ONLY |
| 32 | 034274 | Screw (4 required) |
| 33 | 035088 | Foot (4 required) |



Part No Longer Used

(last used 9/19/2019)



035237

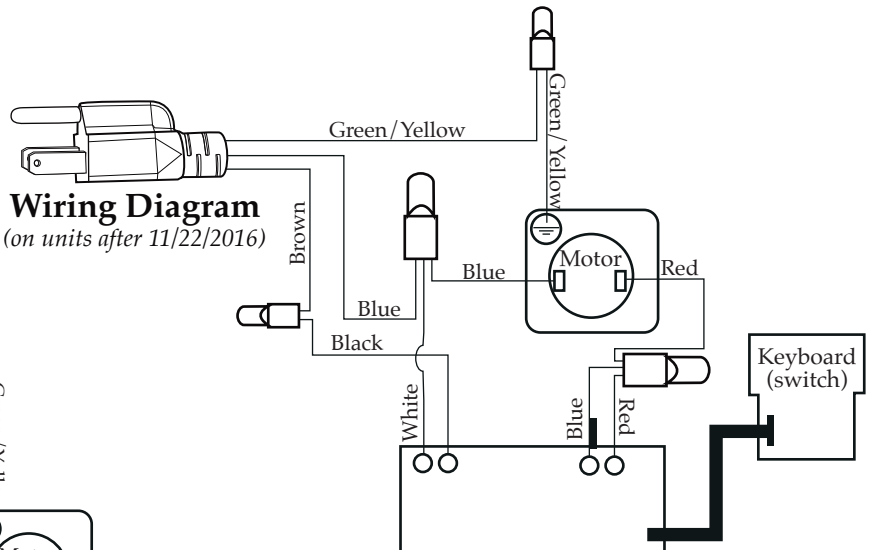
Control Housing Back Bezel

035465

Blending Assembly
(with O ring and bearing holder nut)

Wiring Diagram

(on units after 11/22/2016)



Wiring Diagram

